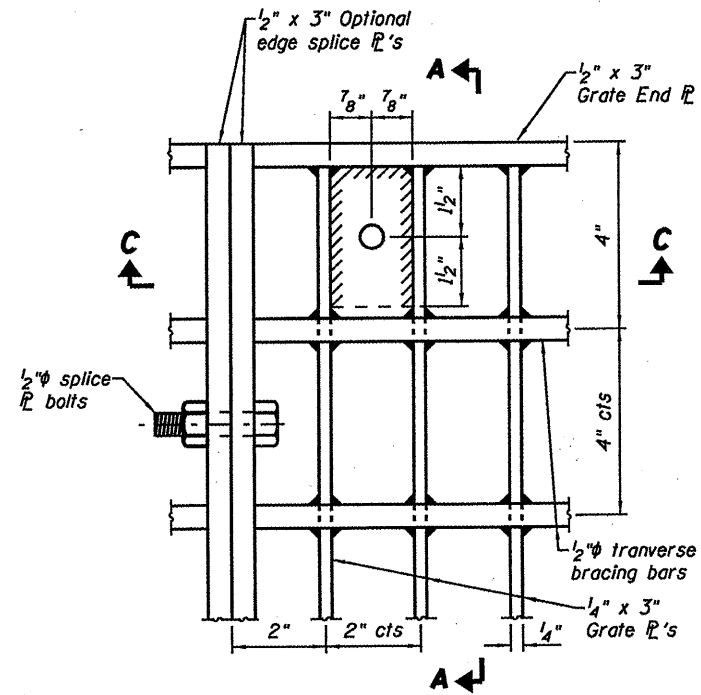
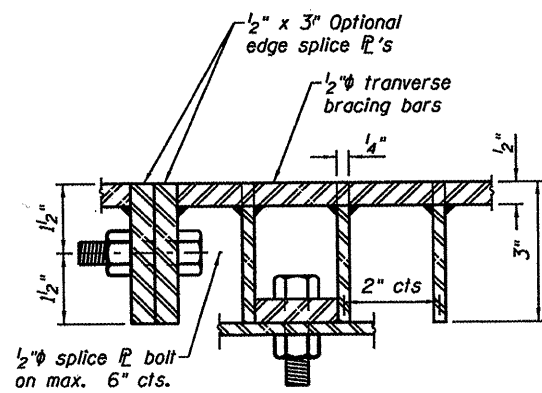


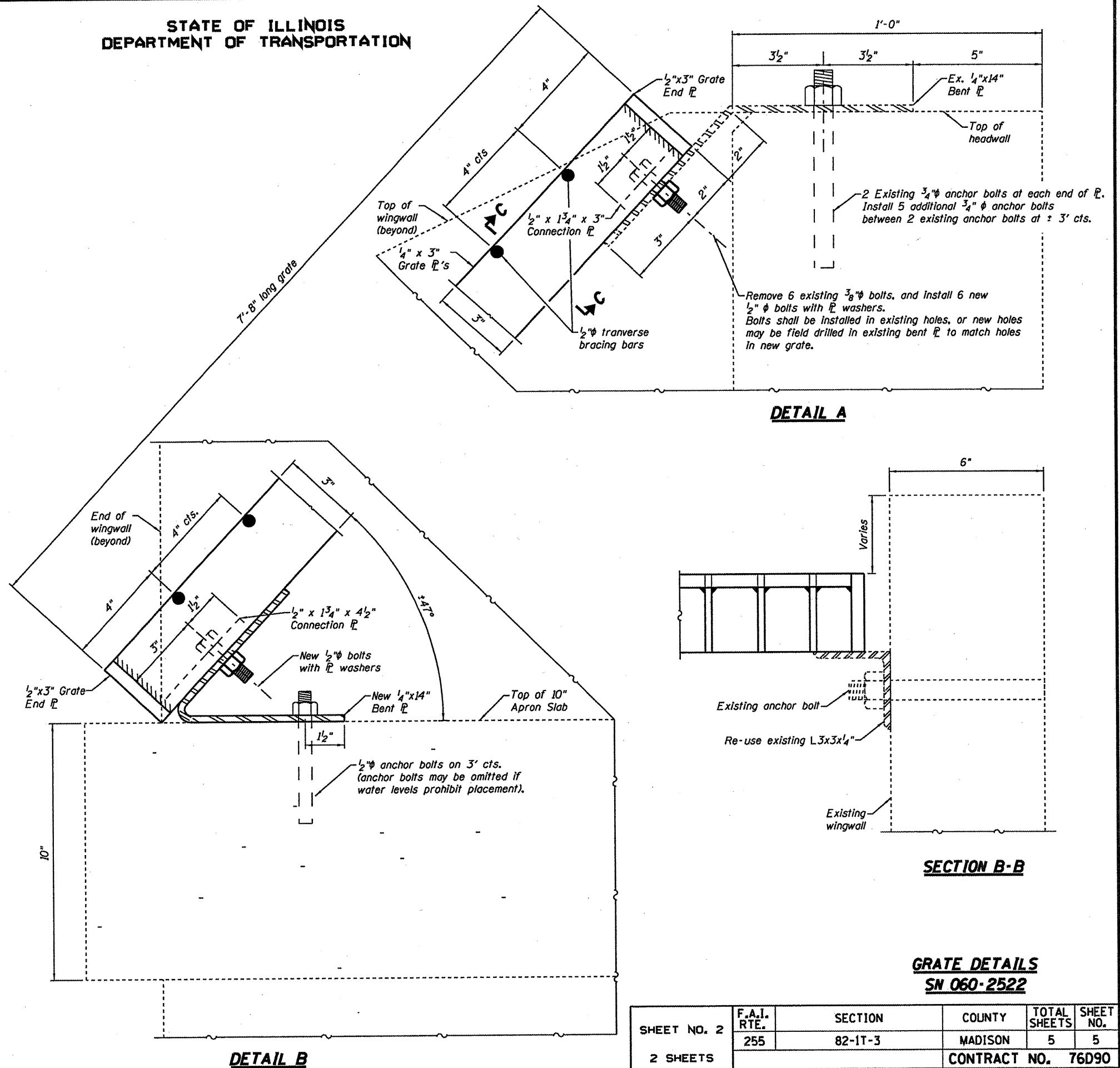
STATE OF ILLINOIS
DEPARTMENT OF TRANSPORTATION



DETAIL D
(Grate Plan View)

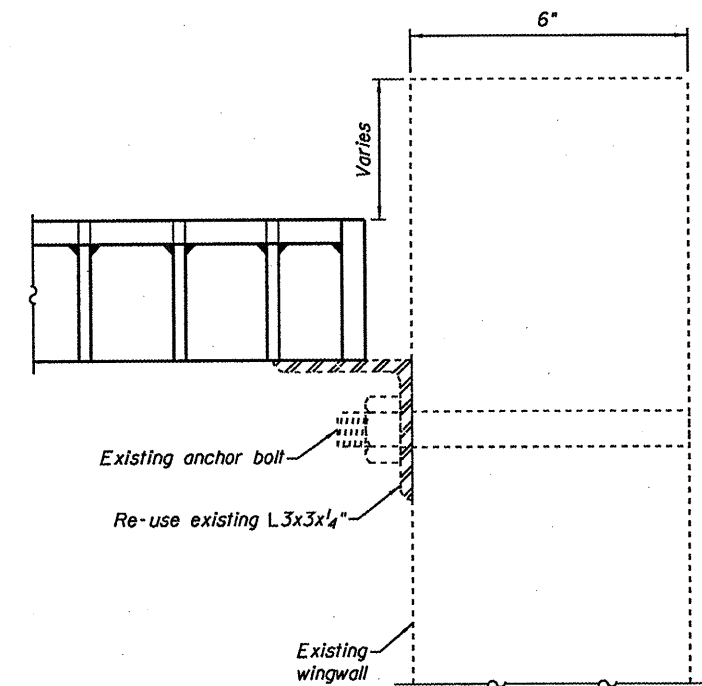


SECTION C-C



DETAIL A

DETAIL B



SECTION B-B

GRATE DETAILS
SN 060-2522

DESIGNED J. Uehle	June 11, 2010
CHECKED P. Sawyer	EXAMINED
DRAWN J. Uehle	ENGINEER OF STRUCTURAL SERVICES
CHECKED P. Sawyer	PASSED
	ENGINEER OF BRIDGES AND STRUCTURES

SHEET NO. 2 2 SHEETS	F.A.I. RTE.	SECTION	COUNTY	TOTAL SHEETS	SHEET NO.
	255	82-1T-3	MADISON	5	5
			CONTRACT NO. 76D90		
ILLINOIS FED. AID PROJECT					