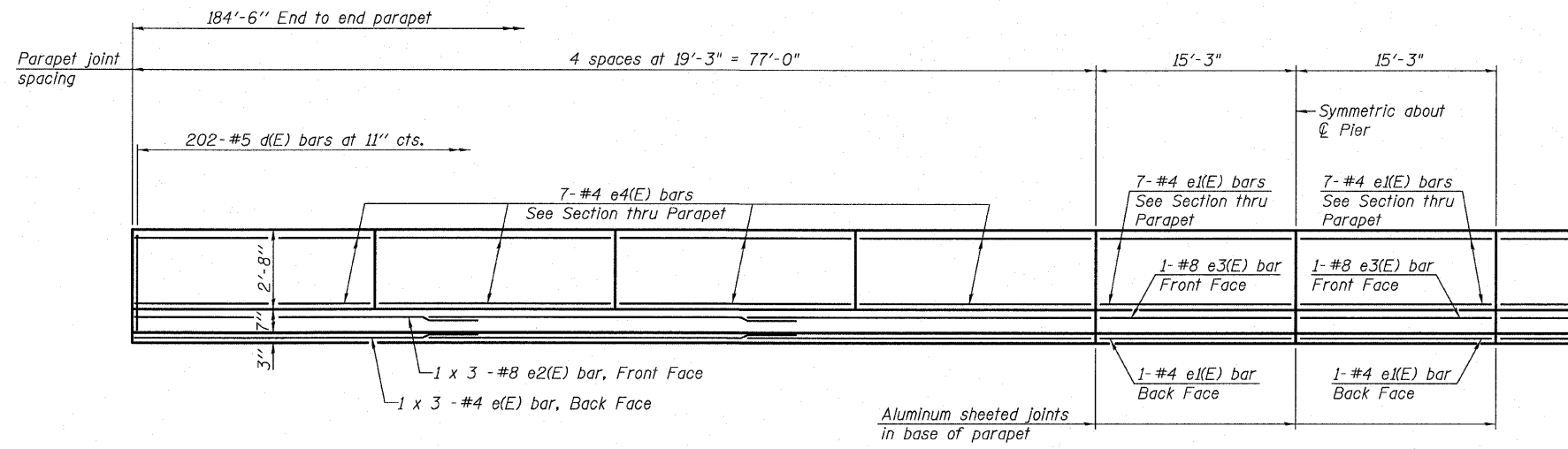
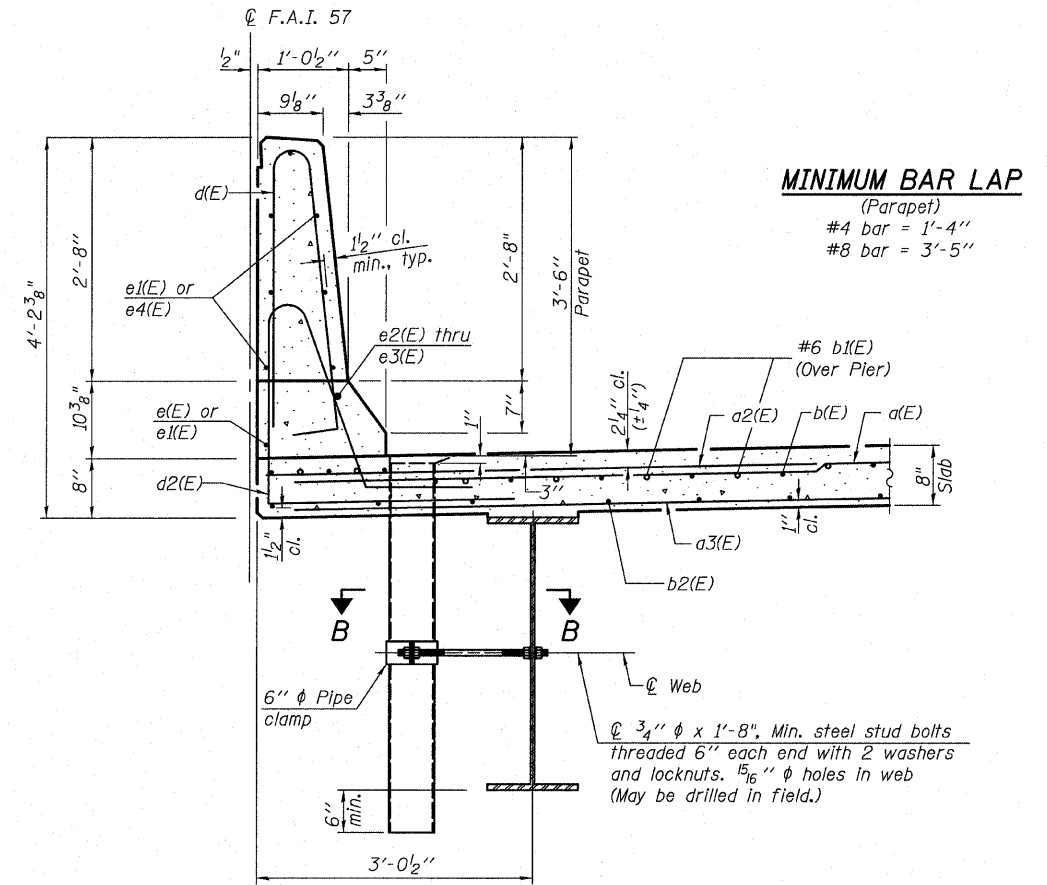


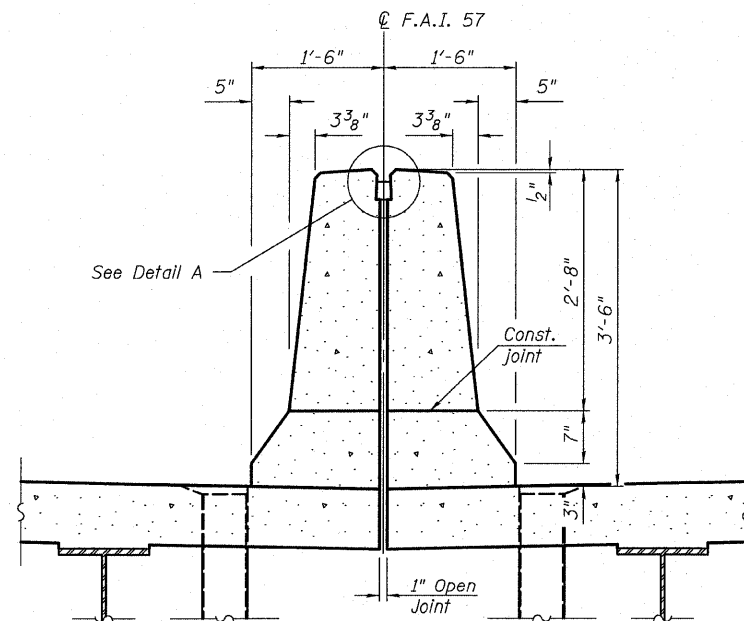
STATE OF ILLINOIS  
DEPARTMENT OF TRANSPORTATION



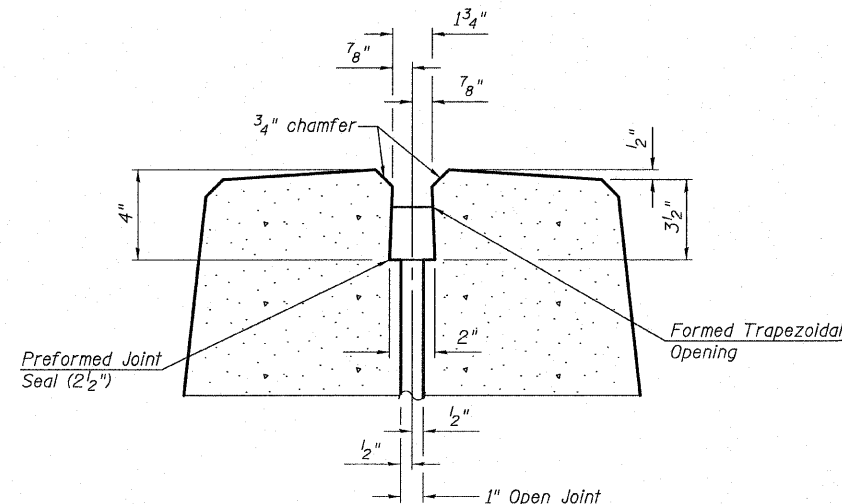
INSIDE ELEVATION OF MEDIAN PARAPET ⑤



SECTION THRU MEDIAN BARRIER



SECTION AT MEDIAN BARRIER



DETAIL A

Notes:

- ① Bars indicated thus 1 x 3-#8 etc. indicates 1 line of bars with 3 lengths per line.
- ② The exterior surfaces of the floor drains shall be painted with the finish coat as specified in the special provisions for Cleaning and Painting New Metal Structures. The exterior surfaces of the drains shall be cleaned according to Society of Protective Coatings Spec. SSPC-SP1 prior to painting.
- ③ Fiberglass pipe shall conform to ASTM D 2996, with short-time rupture strength hoop tensile stress of 30,000 p.s.i. minimum.
- ④ Drains shall be located clear of all diaphragms.
- ⑤ See sheet 13 of 29 for parapet joint details.

SUPERSTRUCTURE DETAILS  
STRUCTURE NO. 028-0079 (N.B.)  
STRUCTURE NO. 028-0080 (S.B.)

SHEET NO. 12	F.A.I. RTE.	SECTION	COUNTY	TOTAL SHEETS	SHEET NO.
	57	(28-5)VB-1	FRANKLIN	81	35
SHEETS 29			CONTRACT NO. 78157		
FED. ROAD DIST. NO. 7 ILLINOIS FED. AID PROJECT					



QATES ASSOCIATES  
Consulting Engineers

Eastport Business Center 1  
100 Lanter Court, Suite 1  
Collinsville, Illinois 62234  
618-345-2200  
Design Firm License No. 184.001115

DESIGNED JAD  
CHECKED MJP  
DRAWN JAD  
CHECKED MJP