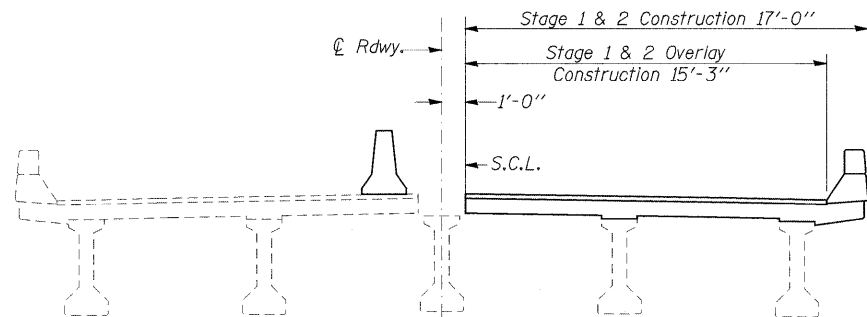
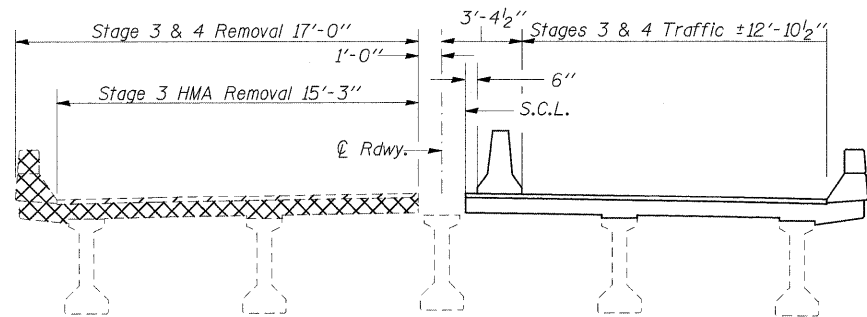


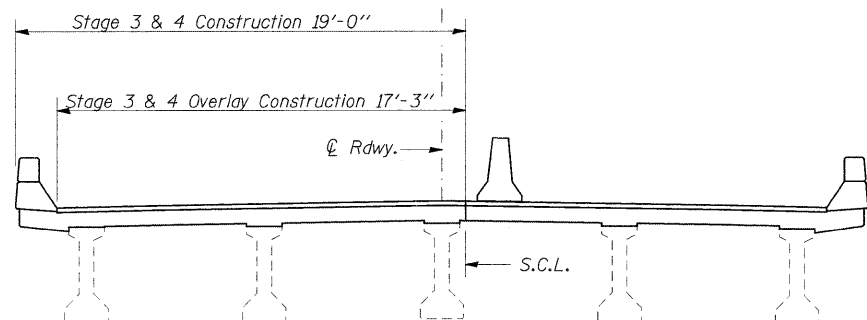
STAGE 1 & 2 REMOVAL



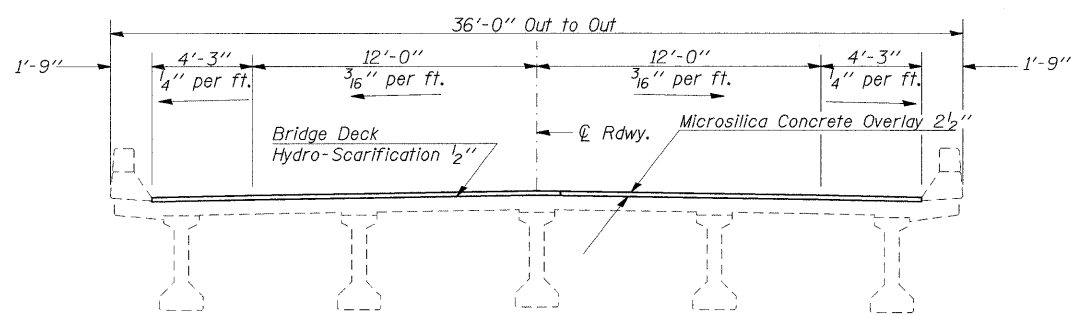
STAGE 1 & 2 CONSTRUCTION



STAGE 3 & 4 REMOVAL



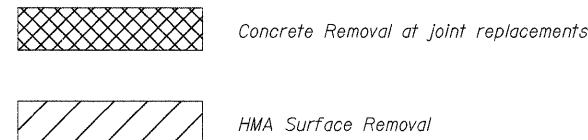
STAGE 3 & 4 CONSTRUCTION



SECTION THRU OVERLAY

SUGGESTED SEQUENCE OF CONSTRUCTION

- Stage 1 Removal: Setup T.C.&P. Standard 701402 Special as shown on sheet 5 for work on the inside passing lanes. Perform 2" HMA Surface/WMS removal entire length of Project. Perform Concrete Removal, as shown on the joint detail sheets, and Hydroscarify ½" etc., for limits shown on sheet 5.
- Stage 1 Construction: Construct new Strip Seal Joints and Microsilica Concrete Overlay 2½" etc., for limits shown on sheet 5.
- Stage 2 Removal: Extend T.C.B. on T.C.&P. Standard 701402 Special as shown on sheet 6. Perform Concrete Removal and Hydroscarify ½" etc., for the remainder of the inside passing lanes, as shown on sheet 6.
- Stage 2 Construction: Construct the remainder of the Strip Seal Joints, as specified on the joint detail sheets, and Microsilica Concrete Overlay 2½" etc., on the inside passing lanes as shown on sheet 6.
- Stage 3 Removal: Setup T.C.&P. Standard 701402 Special as shown on sheet 7 for work on the outside driving lanes. Perform 2" HMA Surface/WMS removal entire length of Project. Perform Concrete Removal, as shown on the joint detail sheets, and Hydroscarify ½" etc., for limits shown on sheet 7.
- Stage 3 Construction: Construct new Strip Seal Joints and Microsilica Concrete Overlay 2½" etc., for limits shown on sheet 7.
- Stage 4 Removal: Extend T.C.B. on T.C.&P. Standard 701402 Special as shown on sheet 8. Perform Concrete Removal and Hydroscarify ½" etc., for the remainder of the outside driving lanes, as shown on sheet 8.
- Stage 4 Construction: Construct the remainder of the Strip Seal Joints, as specified on the joint detail sheets, and Microsilica Concrete Overlay 2½" etc., on the outside driving lanes as shown on sheet 8.



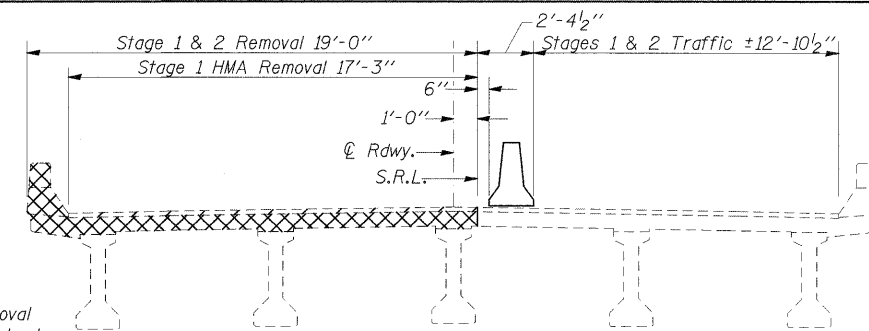
NOTES:

If the contractor chooses to modify the Suggested Sequence of Construction, the contractor shall submit a revised sequence of construction and traffic control layout details for review and acceptance by the Engineer.

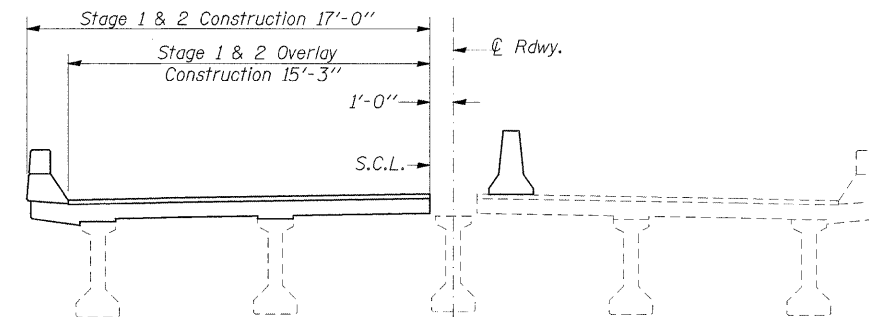
All Sections looking North.

Beams shown do not represent the actual configuration over the Cache River or approaches, additional information is included in the plans and available through the IDOT District Office upon request.

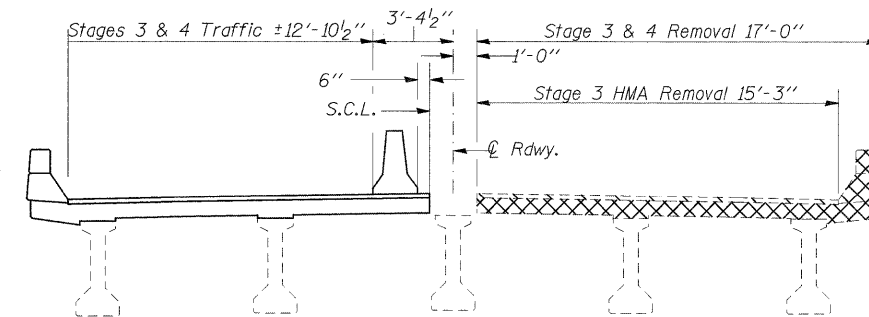
See Special Provisions for steel plates, that are used to cover the holes for expansion joints.



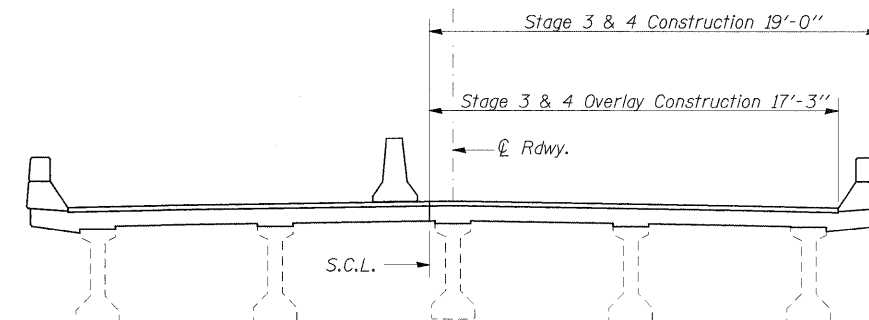
STAGE 1 & 2 REMOVAL



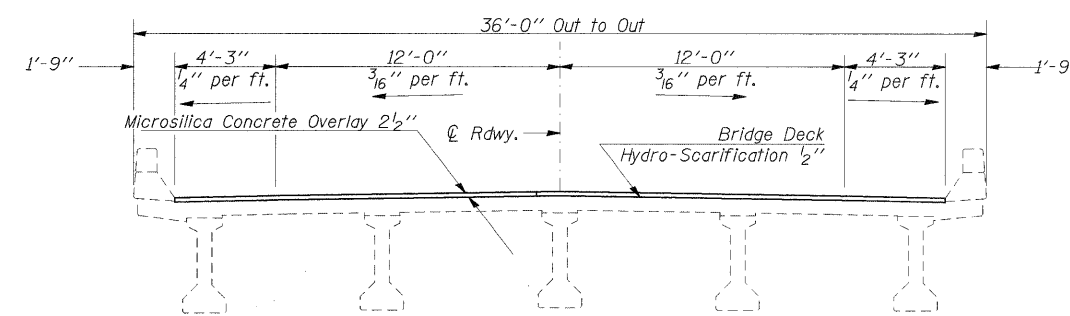
STAGE 1 & 2 CONSTRUCTION



STAGE 3 & 4 REMOVAL



STAGE 3 & 4 CONSTRUCTION



SECTION THRU OVERLAY

FILE NAME =	USER NAME = cornellm	DESIGNED - TWH	REVISED -
c:\pwwork\PIWIDOT\CORNELLM\d0170668\02-0001_0002-sht-plan.dgn		DRAWN - TWH	REVISED -
		CHECKED - MAS	REVISED -
		DATE - 10/15/09	REVISED -

STATE OF ILLINOIS
DEPARTMENT OF TRANSPORTATION

STAGING DETAILS

SCALE:	SHEET NO.	OF	SHEETS	STA.	TO STA.
--------	-----------	----	--------	------	---------

F.A.I. RTE.	SECTION	COUNTY	TOTAL SHEETS	SHEET NO.
57	D9 BSMART 2010-1	ALEXANDER	25	4
CONTRACT NO. 78173				
FED. ROAD DIST. NO. ILLINOIS FED. AID PROJECT				