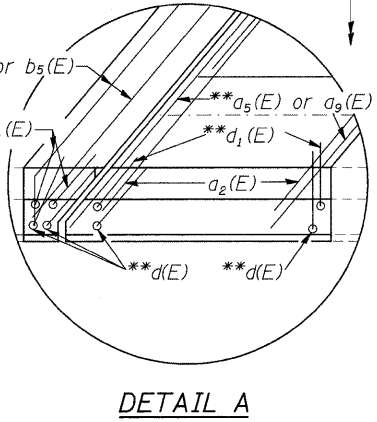
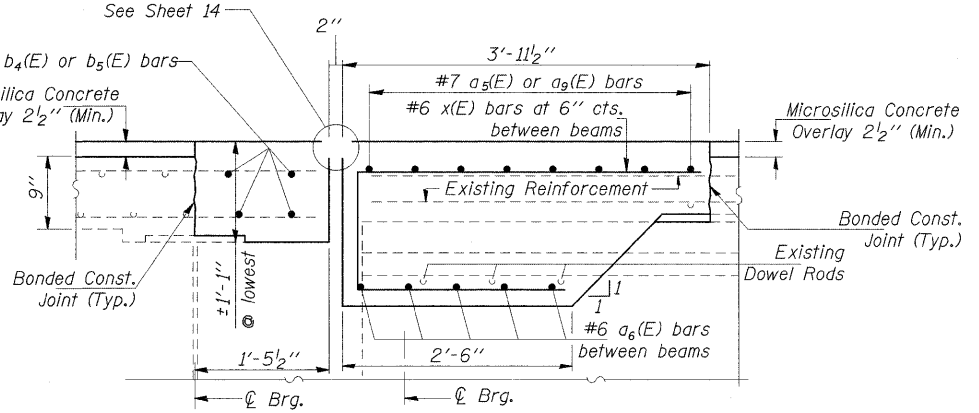


**JOINT @ PIER 3. PLAN
SHOWING NEW CONCRETE**

**JOINT @ PIER 3. PLAN
SHOWING CONCRETE REMOVAL**



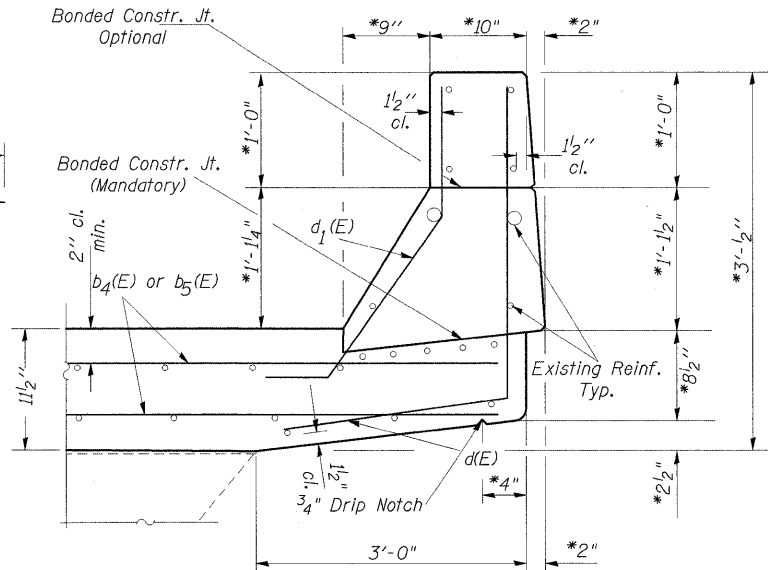
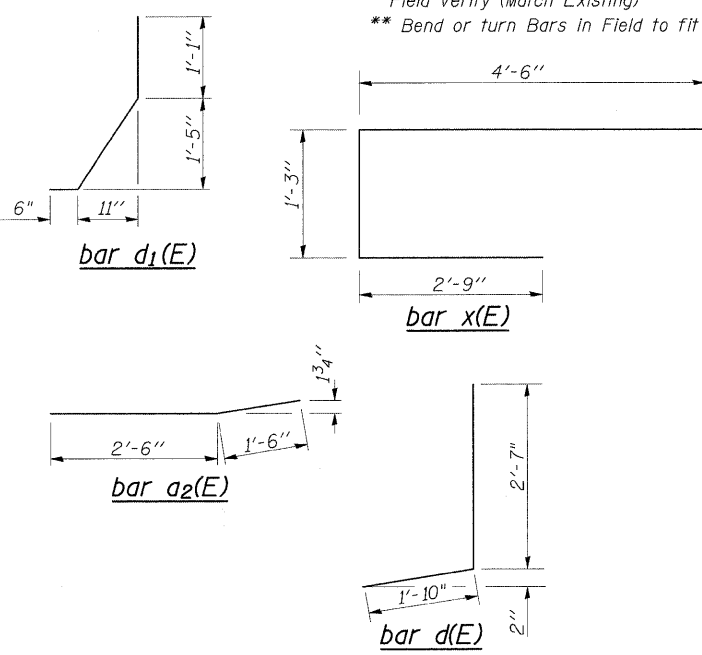
DETAIL A



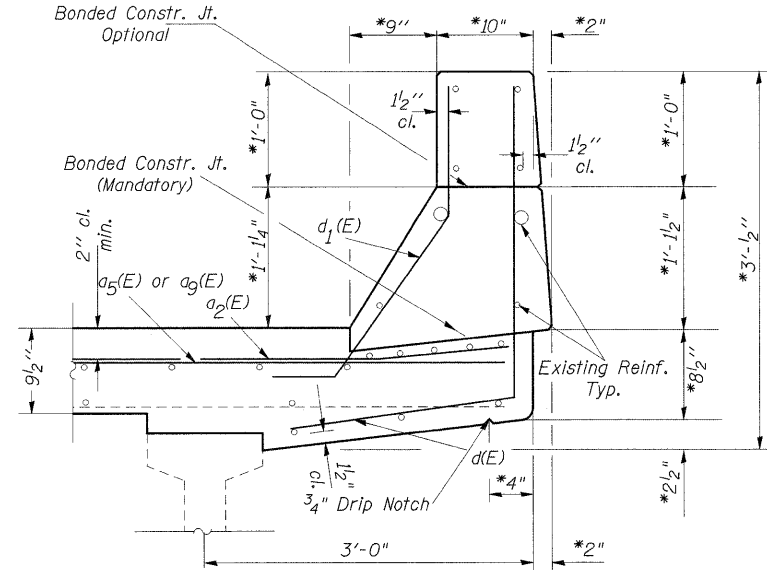
**SECTION A-A
Dimensions measured @
Right Angles**

**SECTION B-B
Dimensions measured @
Right Angles**

NOTES:
* Field Verify (Match Existing)
** Bend or turn Bars in Field to fit



**SECTION THRU PARAPET
Two Girder Deck Section**



**SECTION THRU PARAPET
Deck on PPCI Beam Section**

BILL OF MATERIAL (BOTH JOINTS)

Bar No.	Size	Length	Shape
a ₂ (E)	24	#6	4'-0"
a ₅ (E)	16	#7	21'-6"
a ₆ (E)	40	#6	8'-7"
a ₉ (E)	16	#7	24'-2"
b ₄ (E)	8	#5	21'-6"
b ₅ (E)	8	#5	24'-2"
d(E)	32	#5	4'-5"
d ₁ (E)	32	#5	3'-3"
x(E)	112	#6	8'-6"
Concrete Superstructure		Cu. Yd.	27.4
Concrete Removal		Cu. Yd.	24.7
Reinforcement Bars, Epoxy Coated		Pound	4220

Reinforcement bars designated (E) shall be epoxy coated.

**PIER 3
JOINT REPLACEMENT DETAILS
ALEXANDER COUNTY
STRUCTURE NO. 002-0003 (N.B.)
STRUCTURE NO. 002-0004 (S.B.)**