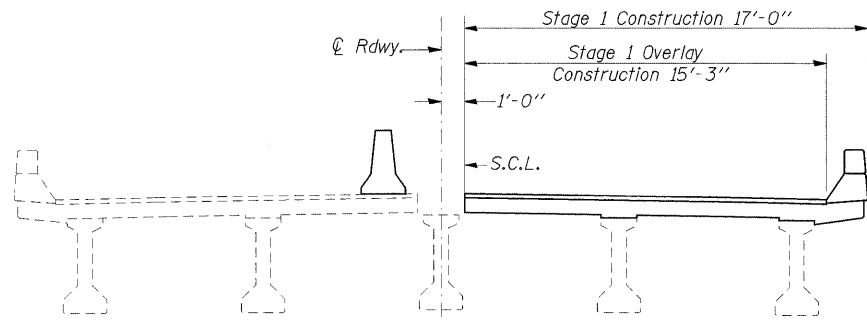
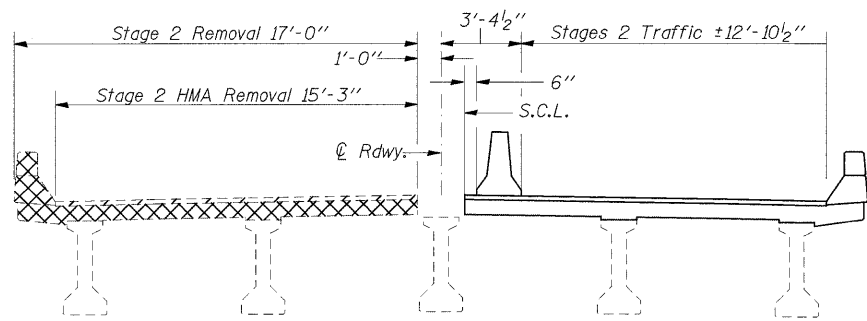


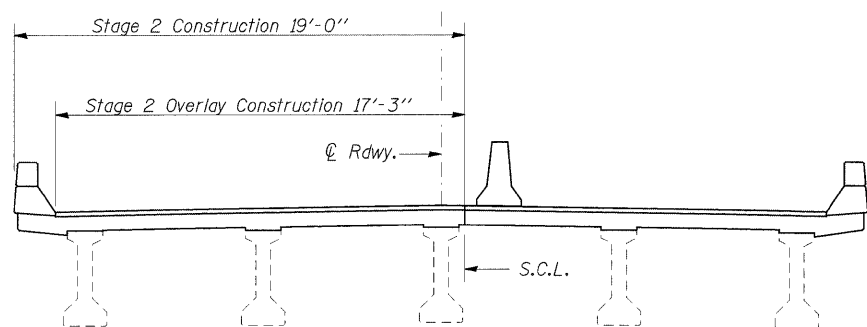
STAGE 1 REMOVAL



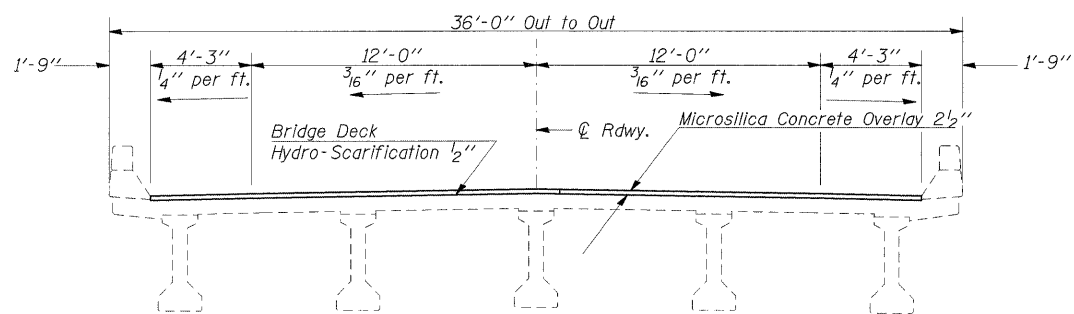
STAGE 1 CONSTRUCTION



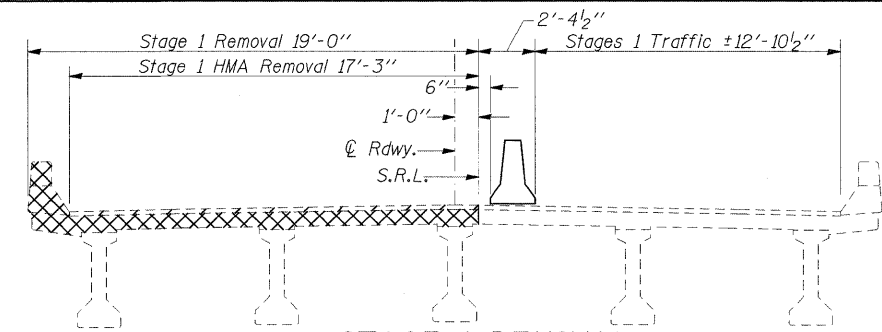
STAGE 2 REMOVAL



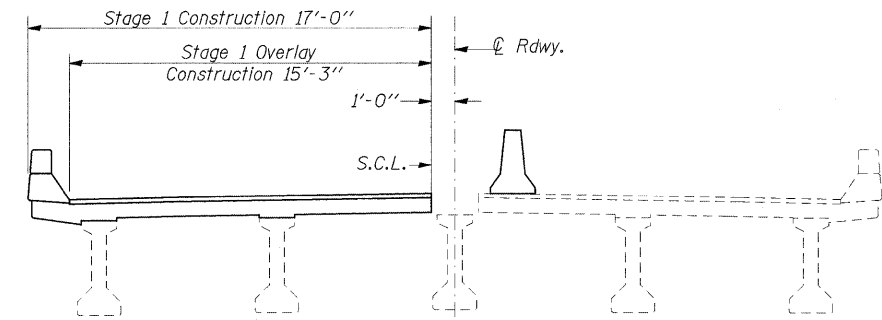
STAGE 2 CONSTRUCTION



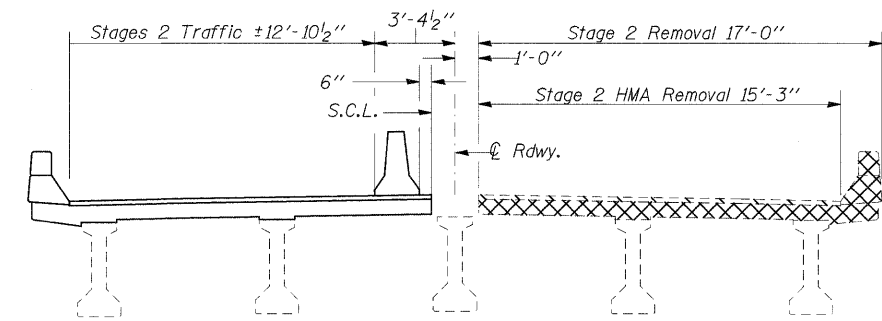
SECTION THRU OVERLAY



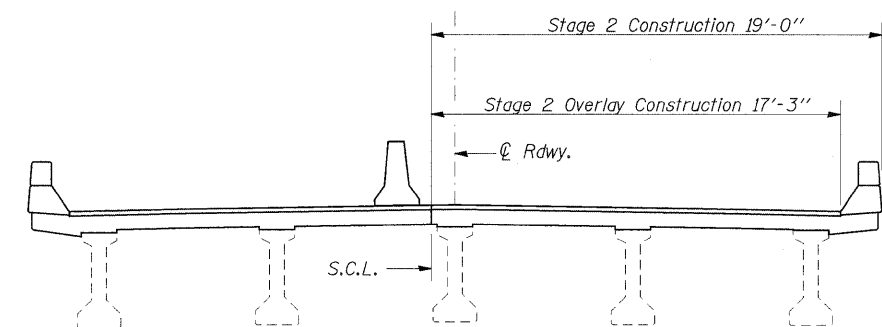
STAGE 1 REMOVAL



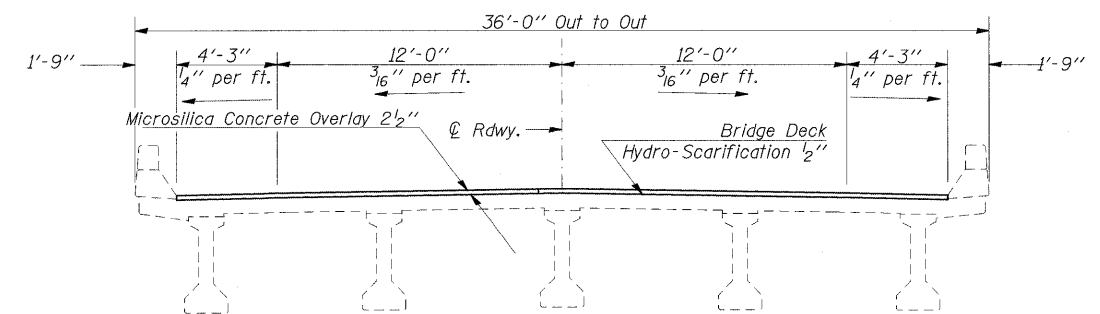
STAGE 1 CONSTRUCTION



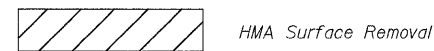
STAGE 2 REMOVAL



STAGE 2 CONSTRUCTION



SECTION THRU OVERLAY



NOTES:  
All Sections looking North.

FILE NAME =	USER NAME = halsteadtw	DESIGNED - TWH	REVISED -
7-0001.0002-sht-01.dgn	7-0001.0002-sht-01.dgn	DRAWN - TWH	REVISED -
PLOT SCALE = 4.0000' / 1"		CHECKED - MAS	REVISED -
PLOT DATE = 2/24/2010		DATE - 10/15/09	REVISED -

STATE OF ILLINOIS  
DEPARTMENT OF TRANSPORTATION

STAGING DETAILS

SCALE: SHEET NO. OF SHEETS STA. TO STA.

F.A.I. RTE. 57	SECTION D9 BSMART 2010-2	COUNTY PULASKI	TOTAL SHEETS 14	SHEET NO. 7
FED. ROAD DIST. NO. ILLINOIS FED. AID PROJECT			CONTRACT NO. 78174	