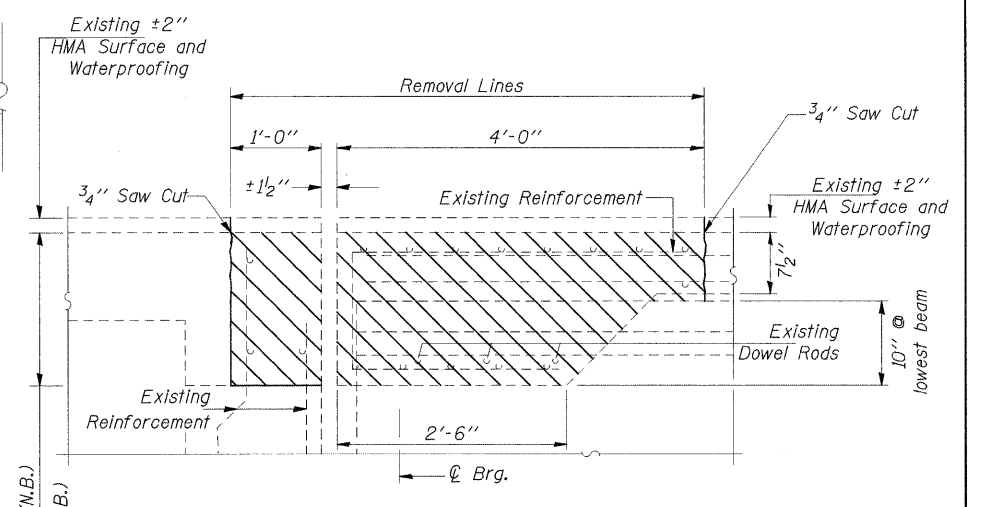
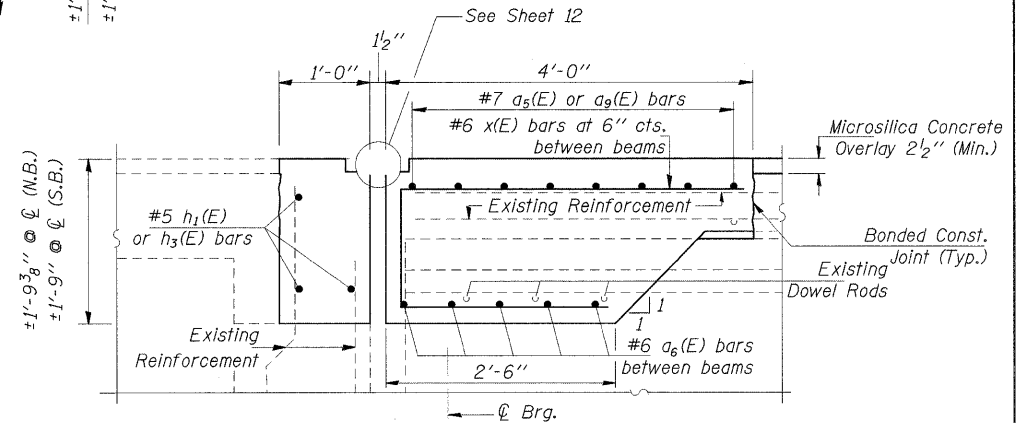


**JOINT @ NORTH ABUT. PLAN
SHOWING NEW CONCRETE**

**JOINT @ NORTH ABUT. PLAN
SHOWING CONCRETE REMOVAL**



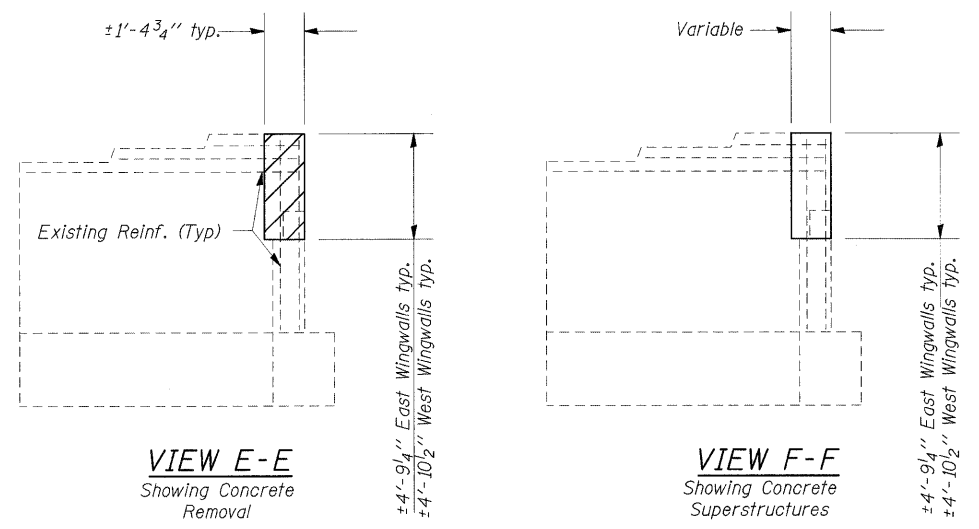
SECTION A-A



SECTION B-B

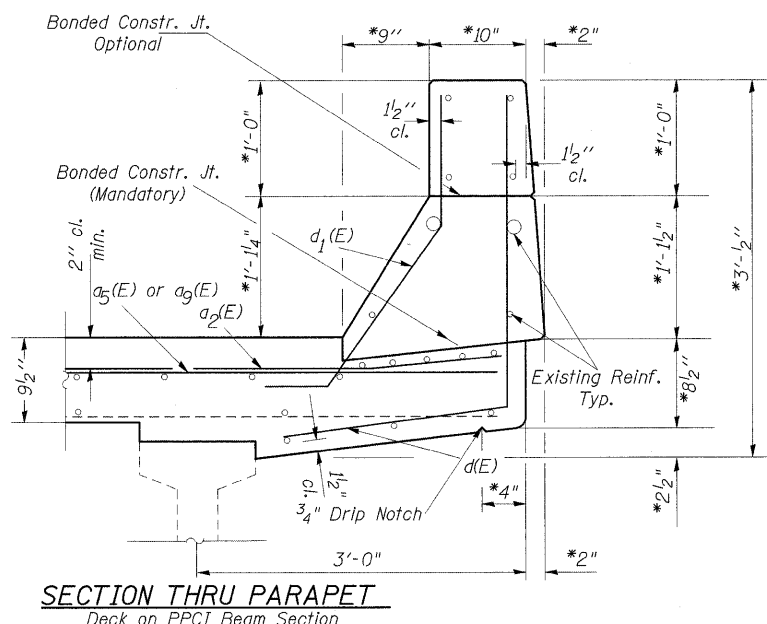
NOTES:
* Field Verify (Match Existing)
** Bend or turn Bars in Field to fit

Concrete Removal

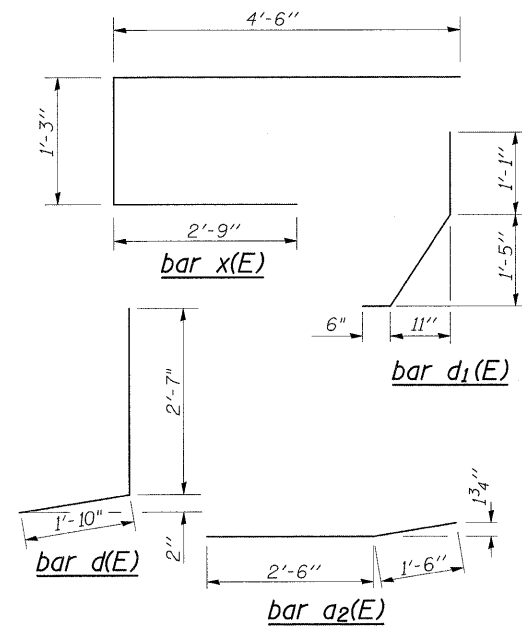


**VIEW E-E
Showing Concrete
Removal**

**VIEW F-F
Showing Concrete
Superstructures**



**SECTION THRU PARAPET
Deck on PPCI Beam Section**



BILL OF MATERIAL (BOTH JOINTS)

| Bar | No. | Size | Length | Shape |
|-------------------------------------|-----|---------|--------|-------|
| a ₂ (E) | 24 | #6 | 4'-0" | — |
| a ₅ (E) | 16 | #7 | 21'-6" | — |
| a ₆ (E) | 40 | #6 | 8'-7" | — |
| a ₉ (E) | 16 | #7 | 24'-2" | — |
| d(E) | 16 | #5 | 4'-5" | J |
| d ₁ (E) | 16 | #5 | 3'-3" | J |
| h ₁ (E) | 6 | #5 | 21'-6" | — |
| h ₃ (E) | 6 | #5 | 24'-2" | — |
| x(E) | 112 | #6 | 8'-6" | — |
| Concrete Superstructure | | Cu. Yd. | 27.8 | |
| Concrete Removal | | Cu. Yd. | 25.3 | |
| Reinforcement Bars, Epoxy Coated | | Pound | 4000 | |

Reinforcement bars designated (E) shall be epoxy coated.

**NORTH ABUTMENT
JOINT REPLACEMENT DETAILS
PULASKI COUNTY
STRUCTURE NO. 077-0001 (N.B.)
STRUCTURE NO. 077-0002 (S.B.)**