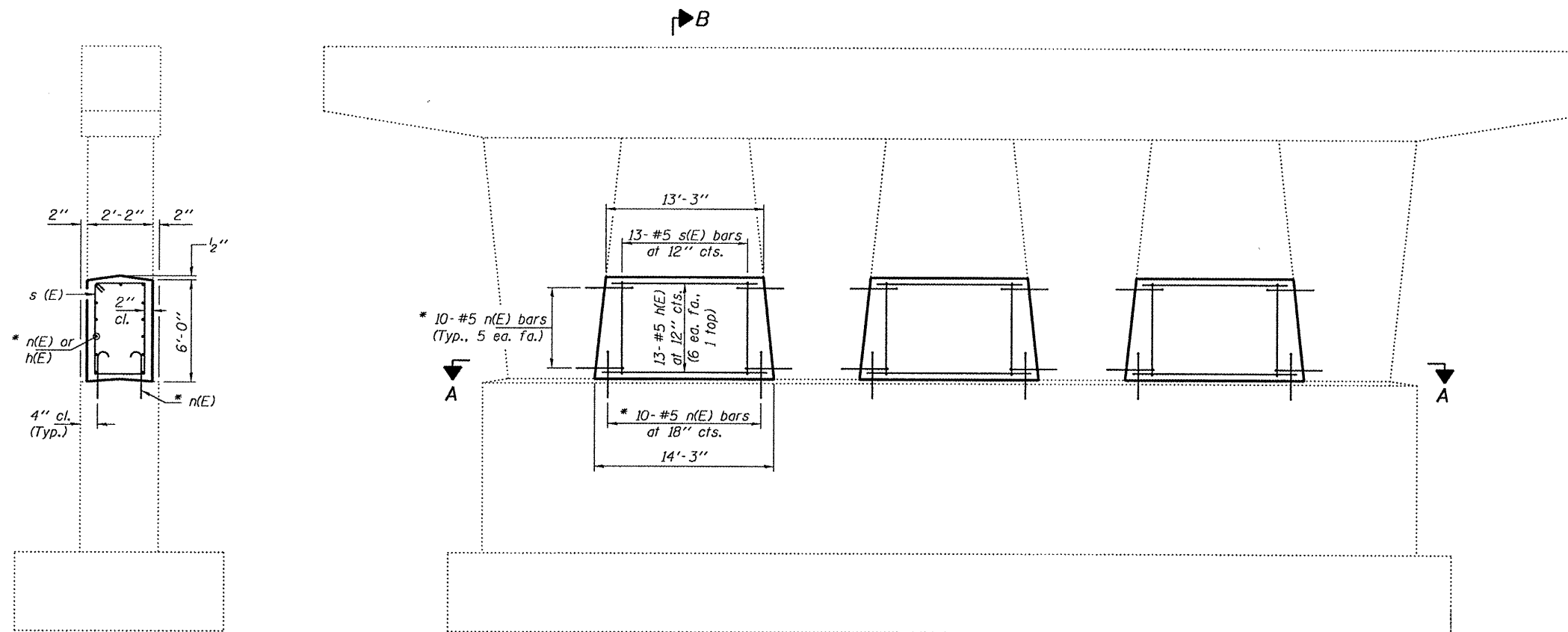


STATE OF ILLINOIS  
DEPARTMENT OF TRANSPORTATION

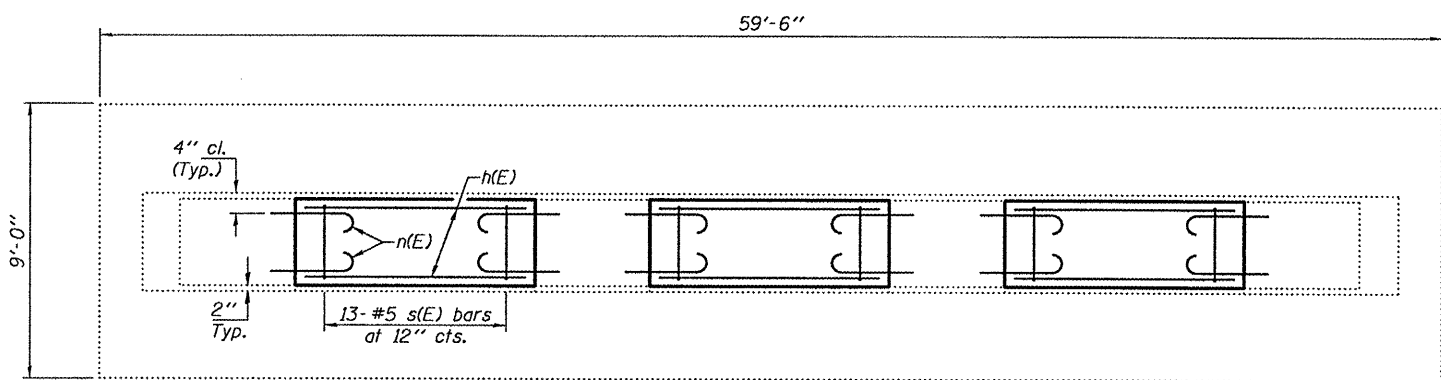
**NOTES**

The cost of epoxy grouting threaded rods shall be included with Reinforcement Bars, Epoxy Coated.  
Plan dimensions and details relative to existing plans are subject to nominal construction variations. The Contractor shall field verify existing dimensions and details affecting new construction and make necessary approved adjustments prior to construction or ordering of materials. Such variations shall not be cause for additional compensation for a change in scope of the work, however, the Contractor will be paid for the quantity actually furnished at the unit price bid for the work.  
Reinforcement bars shall conform to the requirements of ASTM A 706 Gr 60. See Special Provisions.  
Reinforcement bars designated (E) shall be epoxy coated.

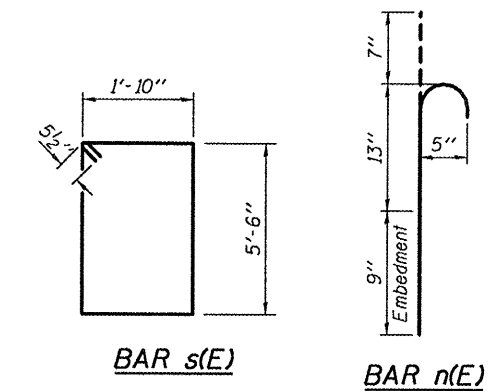


**SECTION B-B**

**ELEVATION**  
Reinforcement details  
typical at all locations.



**SECTION A-A**  
Reinforcement details  
typical at all locations.



**BILL OF MATERIAL**

Bar	No.	Size	Length	Shape
h(E)	39	#5	13'-9"	—
n(E)	120	#5	2'-8"	—
s(E)	39	#5	15'-7"	□
Concrete Structures			Cu. Yd.	19.9
Reinforcement Bars, Epoxy Coated			Pound	1520



DESIGNED: *[Signature]*  
 CHECKED: *[Signature]*  
 DRAWN: Kyle M. Steffen  
 CHECKED: *[Signature]*  
 EXAMINED: *[Signature]*  
 PASSED: *[Signature]*  
 MAY 10, 2010  
 ENGINEER OF STRUCTURAL SERVICES  
 ENGINEER OF BRIDGES AND STRUCTURES

Expires: November 30, 2010

**PIER IMPROVEMENT DETAILS**  
SN 041-0069

SHEET NO. 1 1 SHEETS	F.A.I. RTE.	SECTION	COUNTY	TOTAL SHEETS	SHEET NO.
	64	D9 SAFETY 2010-1	JEFFERSON	26	19
			CONTRACT NO. 78192		
FED. ROAD DIST. NO.		ILLINOIS	FED. AID PROJECT		