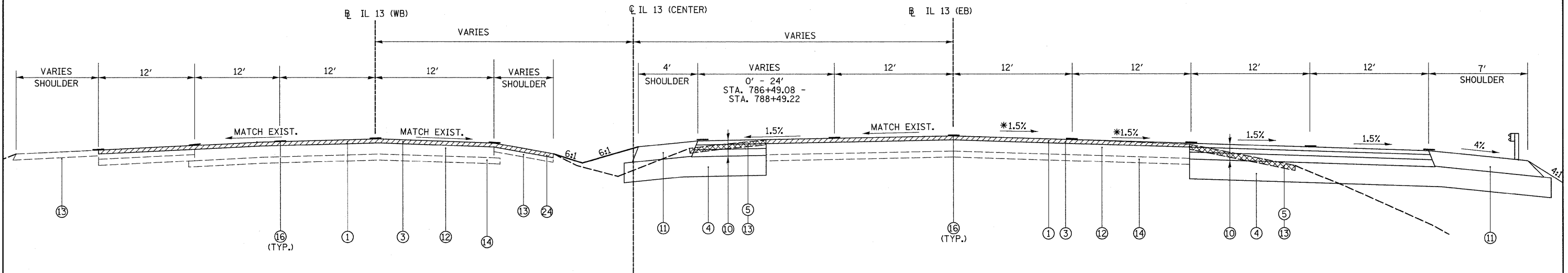


**TO BE USED**

STA. 786+49.49 TO STA. 787+16.11 IL 13 (WB)  
 STA. 786+49.08 TO STA. 787+15.75 IL 13 (EB)

- ① POLYMERIZED HOT-MIX ASPHALT SURFACE COURSE, MIX "E", N105 1 1/2"
- ③ HOT-MIX ASPHALT SURFACE REMOVAL 1 1/2"
- ④ PROCESSING LIME MODIFIED SOILS 12"
- ⑤ PAVED SHOULDER REMOVAL
- ⑩ HOT-MIX ASPHALT PAVEMENT (FULL DEPTH), 11 3/4"  
 -POLYMERIZED HOT-MIX ASPHALT SURFACE COURSE, MIX "E", N105, 1 1/2"  
 -POLYMERIZED HOT-MIX BINDER COURSE, IL-19.0, N105, 2 1/4"  
 -HOT-MIX BINDER COURSE, IL-19.0, N90, 8"
- ⑪ HOT-MIX ASPHALT SHOULDERS, 11 3/4"
- ⑫ EXISTING PCC PAVEMENT 10"
- ⑬ EXISTING PAVED SHOULDER
- ⑭ EXISTING GRANULAR BASE COURSE 4"
- ⑮ EXISTING SOLID CONCRETE MEDIAN
- ⑯ THERMOPLASTIC PAVEMENT MARKING - LINE 4"
- ⑳ HOT-MIX ASPHALT SHOULDERS, TON

CLEARZONE	
4:1	40 MPH OR LESS = 16'
4:1	40 MPH TO 50 MPH = 26'
4:1	55 MPH & > = 30'



**TO BE USED**

STA. 787+16.11 TO STA. 788+49.24 IL 13 (WB)  
 STA. 787+15.75 TO STA. 788+49.22 IL 13 (EB)

\* - SLOPE VARIES STA. 787+75.04 - STA. 788+49.22

	CONCRETE MEDIAN REMOVAL
	PAVEMENT REMOVAL
	PAVED SHOULDER REMOVAL

FILE NAME =	USER NAME = #USER#	DESIGNED -	REVISED -	<b>STATE OF ILLINOIS DEPARTMENT OF TRANSPORTATION</b>	<b>IL 13 TYPICAL SECTIONS</b>		F.A. RTE.	SECTION	COUNTY	TOTAL SHEETS	SHEET NO.	
#FILE#		DRAWN -	REVISED -		SCALE: N.T.S.	SHEET NO. 6 OF 14 SHEETS	STA.	TO STA.	* (X1-6-2)K-1J(1X-1)R-4	WILLIAMSON	194	18
		CHECKED -	REVISED -		* I-57/IL 13 (FAI 57/FAP 331) CONTRACT NO. 78194							
		DATE -	REVISED -		ILLINOIS FED. AID PROJECT							