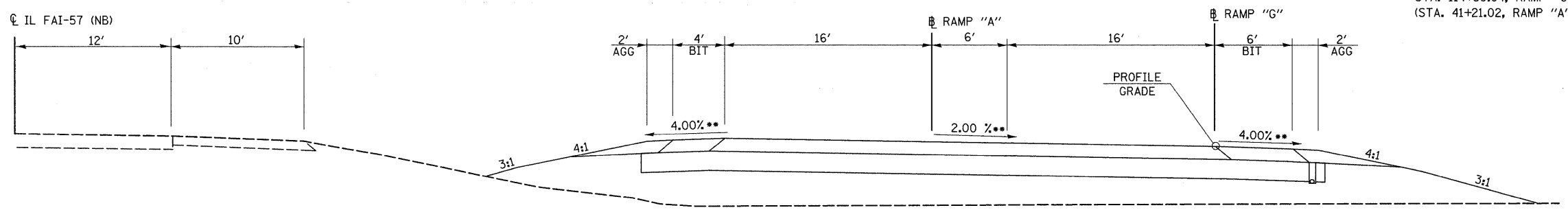


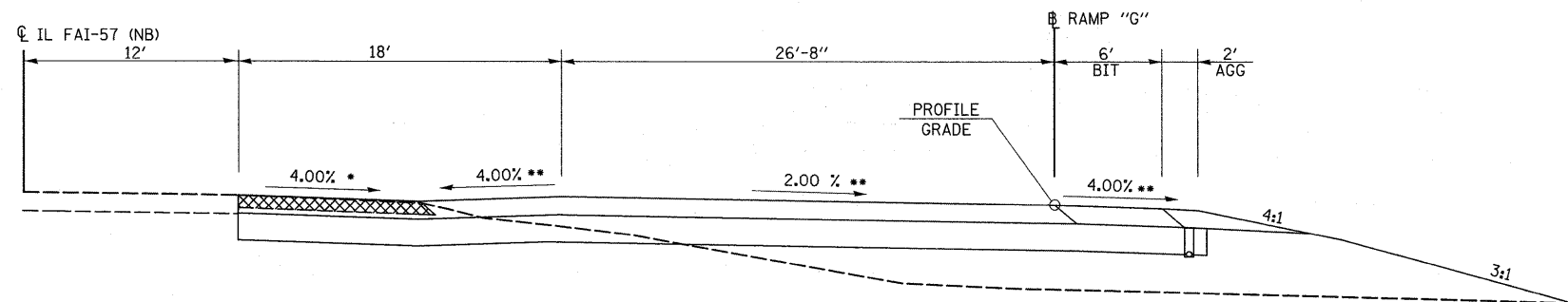
RAMP "G", SECTION A-A

STA. 114+39.94, RAMP "G"
 (STA. 41+21.02, RAMP "A")



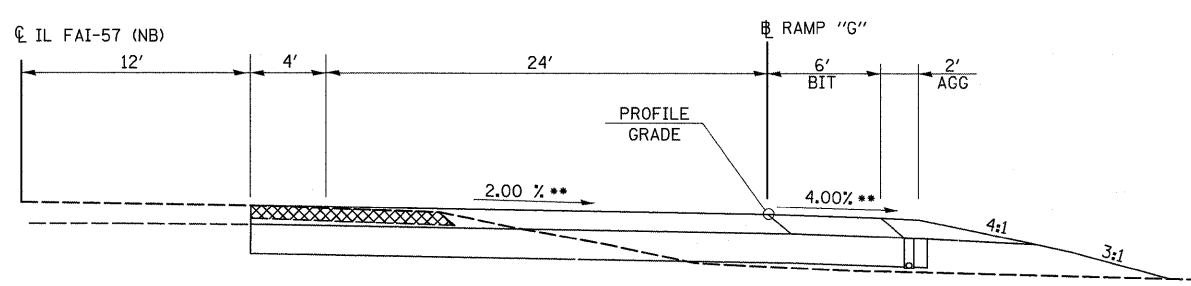
RAMP "G", SECTION B-B

STA. 116+43.78, RAMP "G"
 (STA. 43+25.07, RAMP "A")



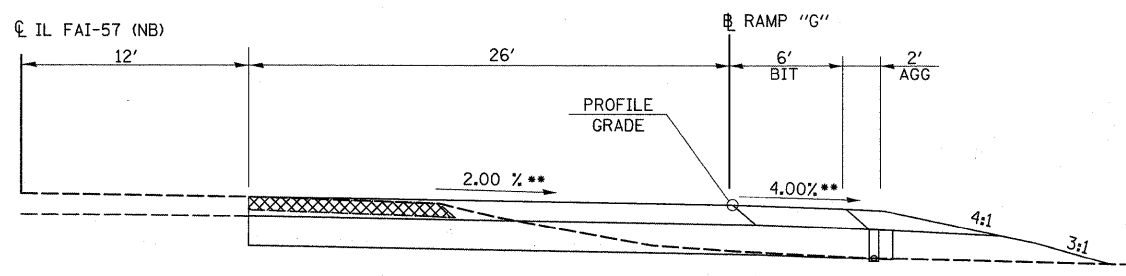
RAMP "G", SECTION C-C

STA. 121+35.41, RAMP "G"
 (STA. 412+45.97, FAI-57 NB)



RAMP "G", SECTION D-D

STA. 126+85.34, RAMP "G"
 (STA. 406+94.60, FAI-57 NB)



RAMP "G", SECTION E-E

STA. 127+93.46, RAMP "G"
 (STA. 405+86.77, FAI-57 NB)

- * SLOPES SHOWN ⊥ TO MAINLINE
- ** SLOPES SHOWN ⊥ TO RAMP "G" Ⓜ
- *** SLOPES SHOWN ⊥ TO RAMP "A" Ⓜ

FILE NAME = #FILE#	USER NAME = #USER#	DESIGNED -	REVISED -	STATE OF ILLINOIS DEPARTMENT OF TRANSPORTATION	GEOMETRICS RAMP G		F.A. RTE.	SECTION	COUNTY	TOTAL SHEETS	SHEET NO.	
	PLOT SCALE = #SCALE#	DRAWN -	REVISED -		SCALE:	SHEET NO. 1 OF 2 SHEETS	STA.	TO STA.	* (X1-6-2)K-1(1X-1)R-4	WILLIAMSON	194	94
	PLOT DATE = #DATE#	CHECKED -	REVISED -						* I-57/IL 13 (FAI 57/FAP 331)	CONTRACT NO. 78194		
		DATE -	REVISED -						ILLINOIS FED. AID PROJECT			