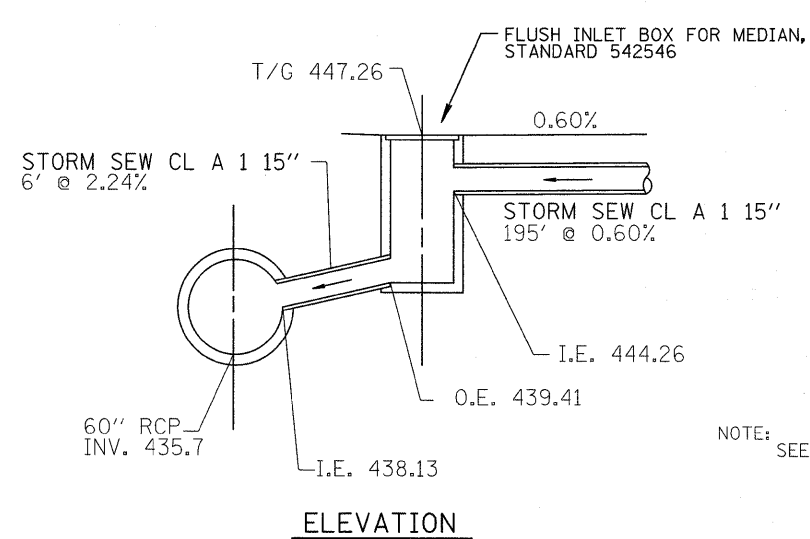
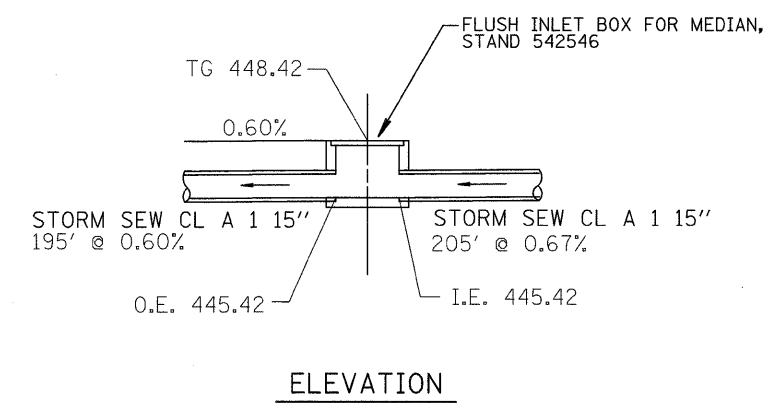


(51)
 DETAIL OF DRAINAGE STRUCTURE FOR
 RT. STA. 407+15 HALFWAY RD.



(18)
 DETAIL OF DRAINAGE STRUCTURE FOR
 LT. STA. 784+40.97 & LT. STA. 784+51.35 IL 13 (EB)



(19)
 DETAIL OF DRAINAGE STRUCTURE FOR
 LT. STA. 786+49.57 IL 13 (EB)

FILE NAME =	USER NAME = #USER#	DESIGNED -	REVISED -	STATE OF ILLINOIS DEPARTMENT OF TRANSPORTATION	DETAILS: DRAINAGE STRUCTURE FOR 784 + 40.97 IL 13, 784 + 51.35 IL 13, 786 + 49.57 IL 13, 407 + 15.00 HALFWAY RD/IL 13 MEDIAN		F.A. RTE.	SECTION	COUNTY	TOTAL SHEETS	SHEET NO.
#FILEL#	PLOT SCALE = #SCALE#	DRAWN -	REVISED -				*	(X1-6-2)K-1(1X-1)R-4	WILLIAMSON	194	121
	PLOT DATE = #DATE#	CHECKED -	REVISED -		SCALE: N.T.S. SHEET NO. OF SHEETS STA. TO STA.		* I-57/IL 13 (FAI 57/FAP 331)		CONTRACT NO. 78194		
		DATE -	REVISED -		ILLINOIS FED. AID PROJECT						