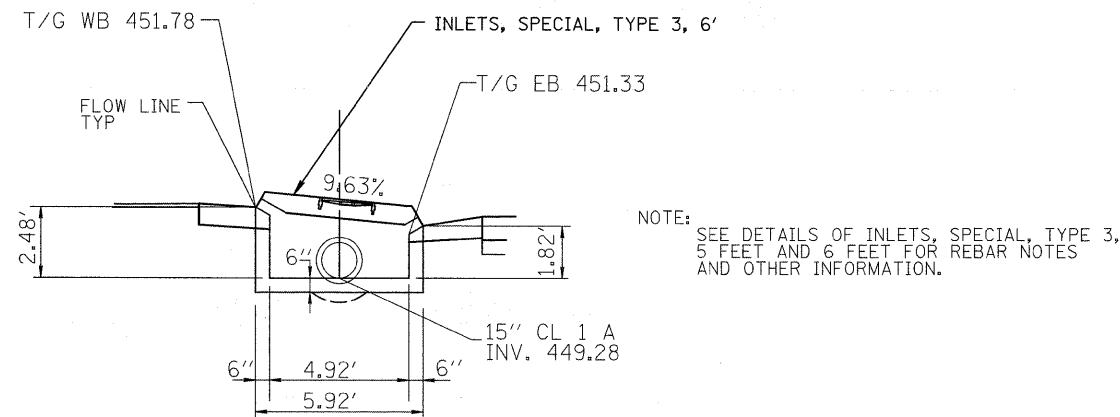
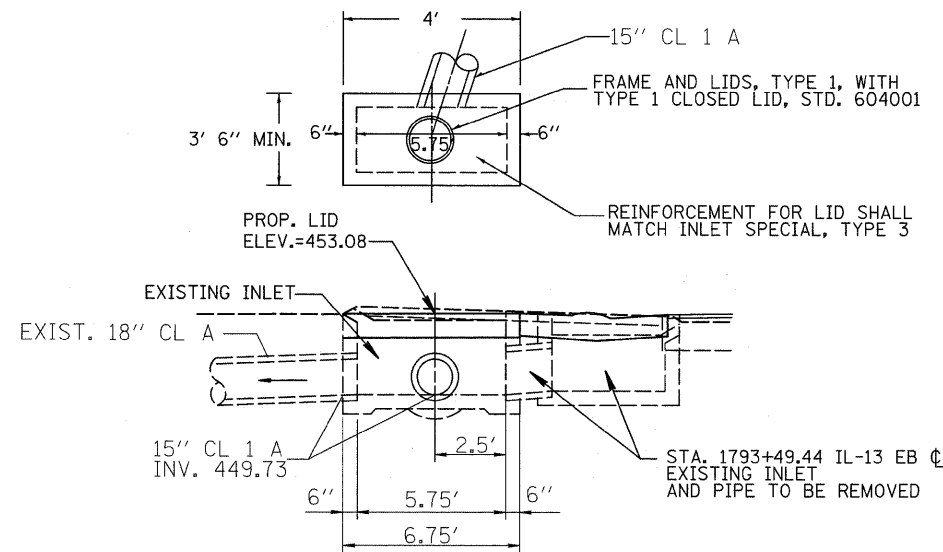


20 DETAIL OF DRAINAGE STRUCTURE FOR LT. STA. 788+55.05 IL 13 (EB)



21 DETAIL OF DRAINAGE STRUCTURE FOR LT. STA. 790+96.27 IL 13 (EB)



23 24 DETAIL OF DRAINAGE STRUCTURE FOR LT. STA. 1793+49.78 IL 13 (EB)

NOTE: SEE DETAILS OF INLETS, SPECIAL, TYPE 3, 5 FEET AND 6 FEET FOR REBAR NOTES AND OTHER INFORMATION.

NOTE: SEE DETAILS OF INLETS, SPECIAL, TYPE 3, 5 FEET AND 6 FEET FOR REBAR NOTES AND OTHER INFORMATION.

NOTES:

PROVIDE 1/2\"/>

CLASS SI CONCRETE SHALL BE USED THROUGHOUT.

EXISTING INLETS TO BE MODIFIED WILL BE PAID FOR AT THE CONTRACT UNIT PRICE EACH FOR INLETS TO BE RECONSTRUCTED WITH NEW TYPE 1 FRAME, CLOSED LID.

PRECAST INLET LIDS MAY BE USED IN CONJUNCTION WITH CAST IN PLACE WALLS WHEN APPROVED BY THE ENGINEER.

REMOVAL ELEVATION SHALL BE DETERMINED BY THE ENGINEER ON AN INDIVIDUAL BASIS FOR EACH INLET TO BE MODIFIED GIVEN THE PROPOSED LID ELEVATIONS AND CONDITION OF EXISTING WALLS.

FILE NAME = #FILEL#	USER NAME = #USER#	DESIGNED -	REVISED -	STATE OF ILLINOIS DEPARTMENT OF TRANSPORTATION	DETAILS: DRAINAGE STRUCTURE FOR 1793+49.78 IL 13, 790+96.27 IL 13, 788+55.05 IL 13			F.A. RTE.	SECTION	COUNTY	TOTAL SHEETS	SHEET NO.			
	PLOT SCALE = #SCALE#	DRAWN -	REVISED -		SCALE: N.T.S.	SHEET NO.	OF	SHEETS	STA.	TO STA.	*	(X1-6-2)K-1(1X-1)R-4	WILLIAMSON	194	122
	PLOT DATE = #DATE#	CHECKED -	REVISED -								*	I-57/IL 13 (FAI 57/FAP 331)	CONTRACT NO.	78194	
		DATE -	REVISED -										ILLINOIS FED. AID PROJECT		