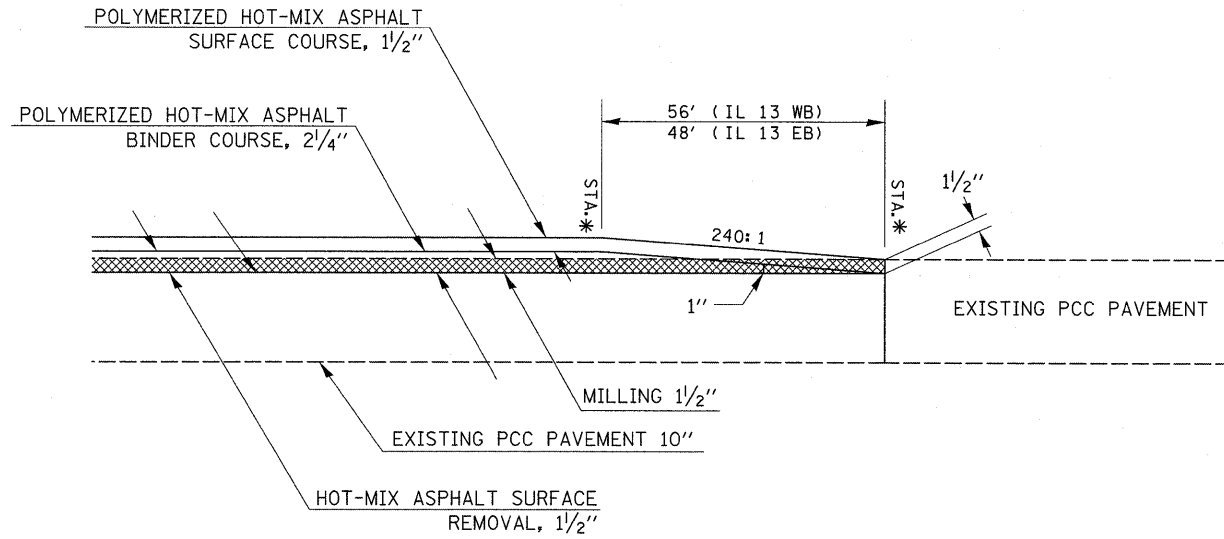
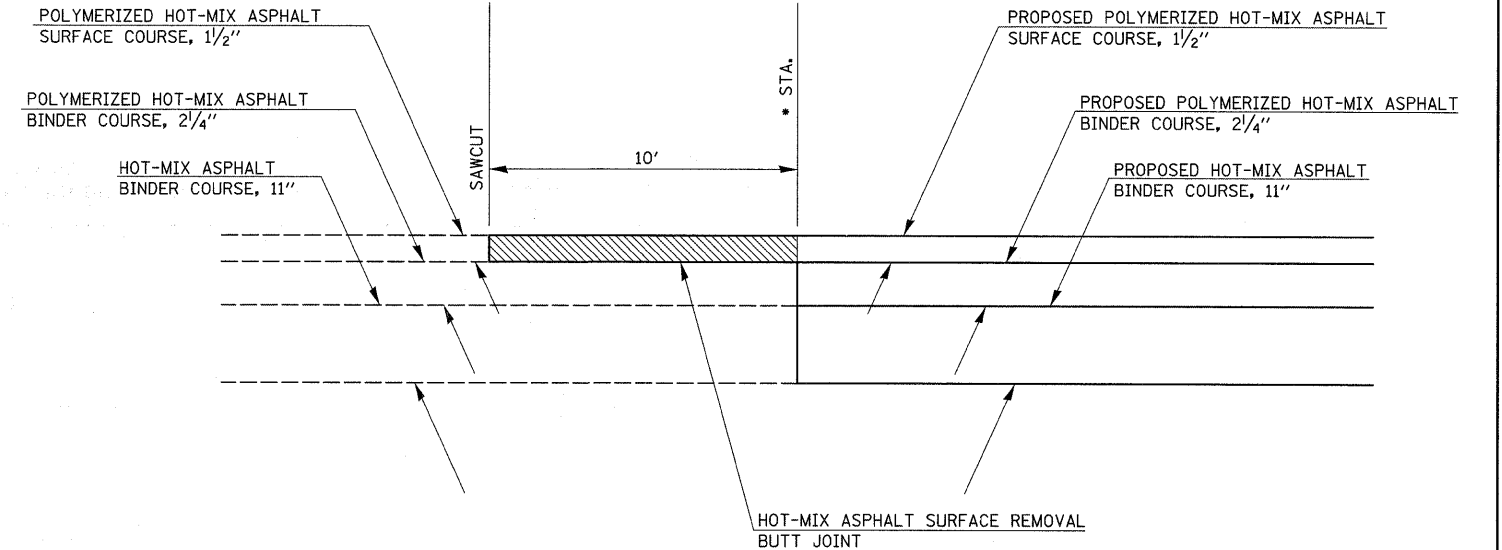


**BUTT JOINT**



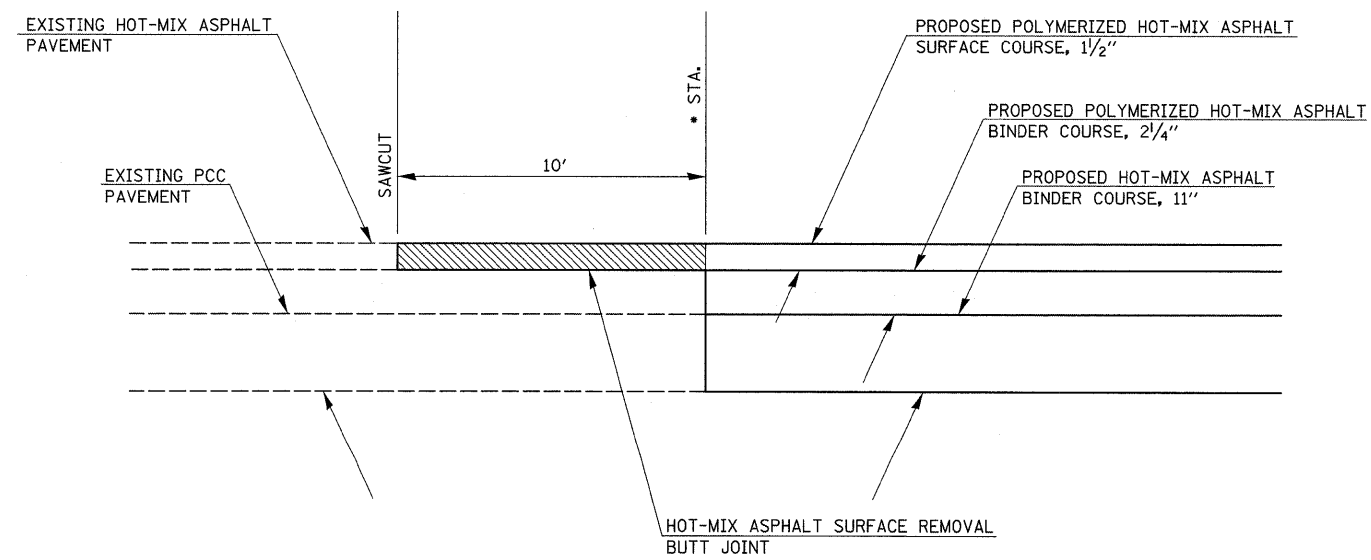
**\* TO BE USED:**  
 \*STA. 1798+52.32 IL 13 EB TO STA. 1799+08.32 IL 13 (EB)  
 \*STA. 1798+63.84 IL 13 WB TO STA. 1799+11.84 IL 13 (WB)

**BUTT JOINT**



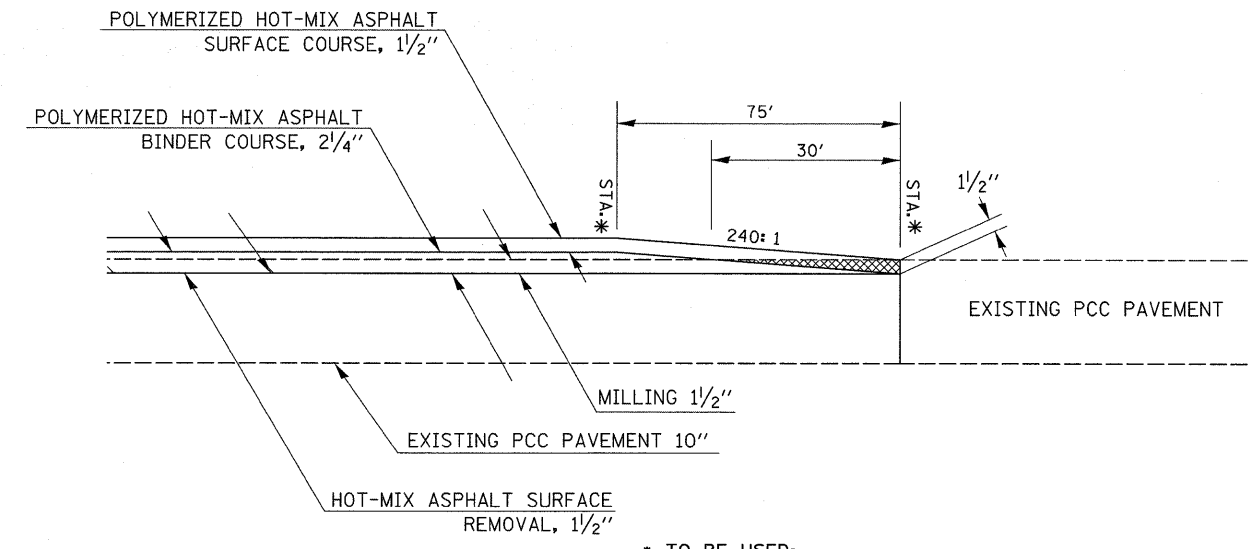
**\* TO BE USED:**  
 STA. 111+00.00 RAMP 'G'

**BUTT JOINT**



**\* TO BE USED:**  
 STA. 19+91.58 RAMP 'A'

**BUTT JOINT**



**\* TO BE USED:**  
 \*STA. 409+25 I-57 (NB) TO STA. 410+00 I-57 (NB)  
 \*STA. 417+17 I-57 (NB) TO STA. 418+52 I-57 (NB)

FILE NAME =	USER NAME = #USER#	DESIGNED -	REVISED -	<b>STATE OF ILLINOIS DEPARTMENT OF TRANSPORTATION</b>	<b>DETAILS: BUTT JOINTS</b>			F.A. RTE.	SECTION	COUNTY	TOTAL SHEETS	SHEET NO.	
#FILEL#	PLOT SCALE = #SCALE#	DRAWN -	REVISED -		SCALE: N.T.S.	SHEET NO. 1 OF 1 SHEETS	STA.	TO STA.	* (X1-6-2)K-1;(IX-1)R-4	WILLIAMSON	194	130	
	PLOT DATE = #DATE#	CHECKED -	REVISED -						* I-57/IL 13 (FAI 57/FAP 331)				CONTRACT NO. 78194
		DATE -	REVISED -						ILLINOIS FED. AID PROJECT				