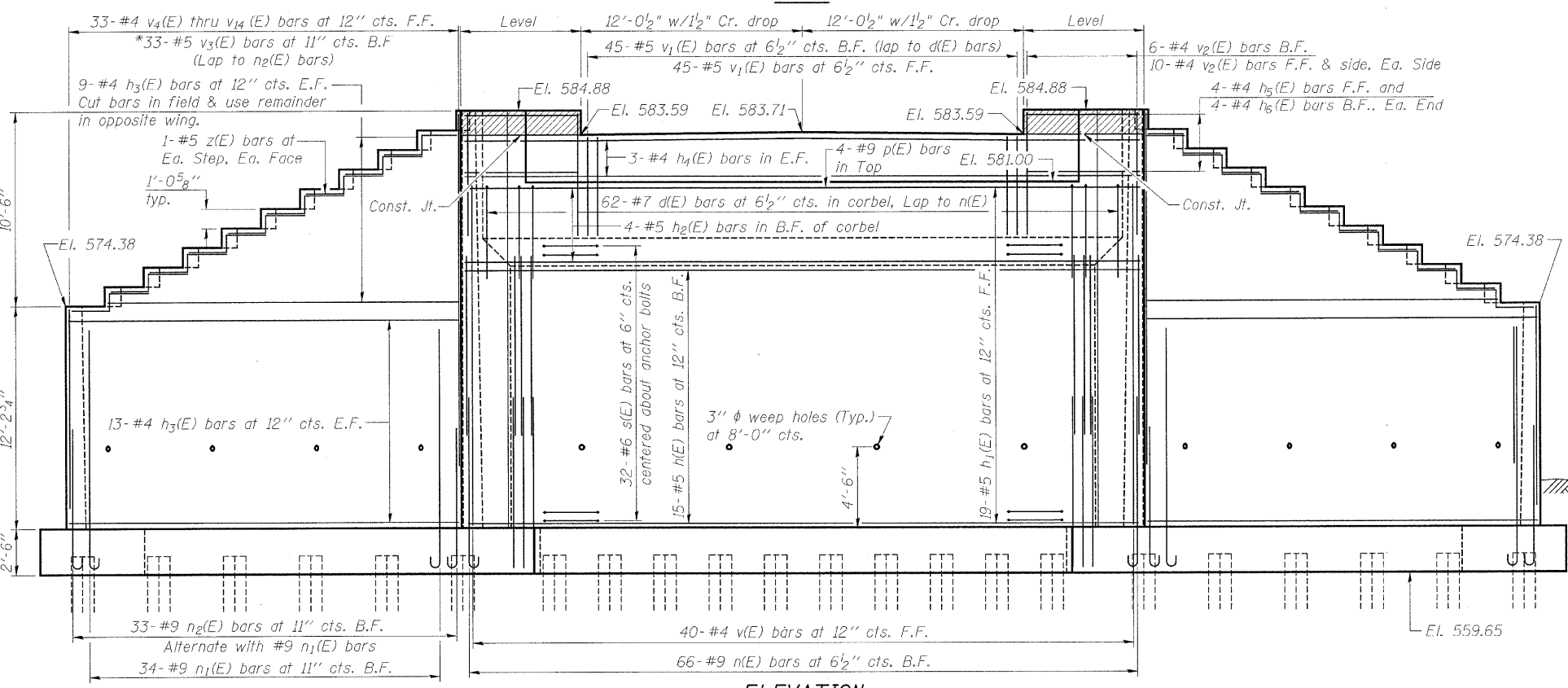
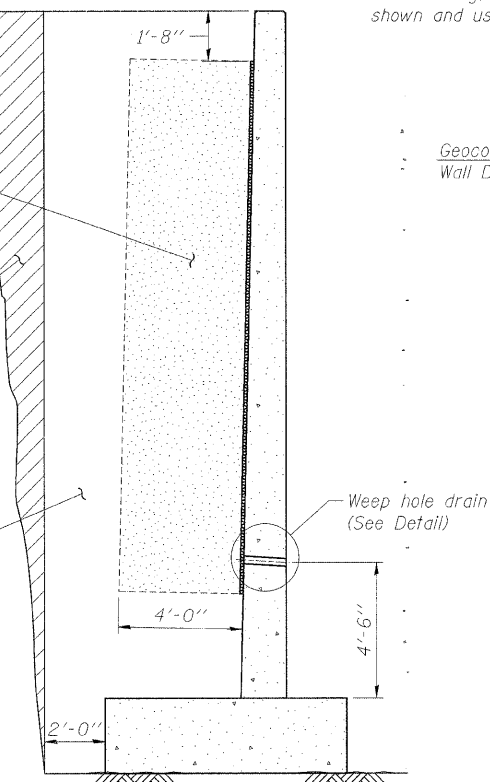
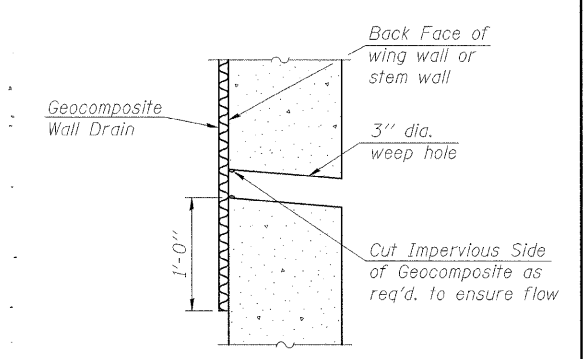


PILE DATA

Type: HP 14x89
Nominal Required Bearing: 705 kips
Factored Resistance Available: 346 kips
Est. Length: 54'
No. Production Piles: 41
No. Test Piles: 1



NOTATIONS

F.F. - Front Face
B.F. - Back Face
E.F. - Each Face

MIN. LAP

SIZE	LAP
#4	2'-7"
#5	3'-3"
#6	3'-10"
#7	5'-2"
#8	6'-9"
#9	8'-7"

NOTES:

Hatched area to be poured after bridge is set in place.

Footings for abutment and wingwalls shall be poured monolithically.

All corners shall have a 3/4" chamfer unless otherwise noted.

Front pile shall be battered 4:12. See Section Thru Abutment.

Slope seat between bearings to drain.

Space d(E) bars to miss Anchor bolts.

EAST & WEST ABUTMENT DETAILS
T.R. 271A OVER WEST BUREAU CREEK
STATION 60+00
S.N. 006-4376
WHA #1066D05

STRUCTURAL SHEET NO. 9C OF 13C SHEETS	F.A.S. RTE.	SECTION	COUNTY	TOTAL SHEETS	SHEET NO.
	188	05-00195-00-BR	BUREAU	127	122
CONTRACT NO. 87380					
FED. ROAD DIST. NO. 7 ILLINOIS FED. AID PROJECT BRS-0188(118)					

FILE NAME = s:\Structure\1066D05\Drawings\Structure\Abutment.dgn