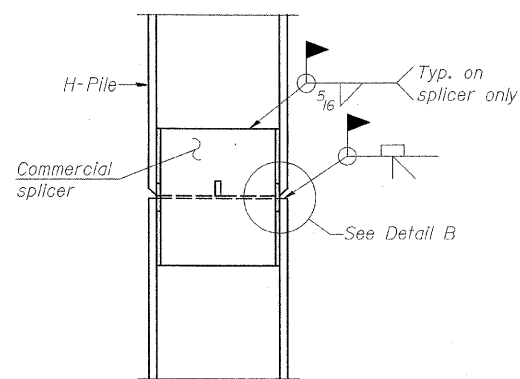
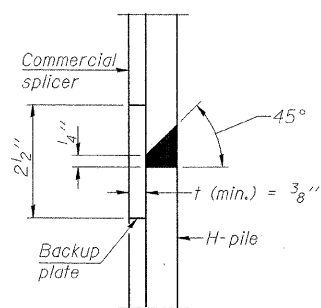


STEEL PILE TABLE

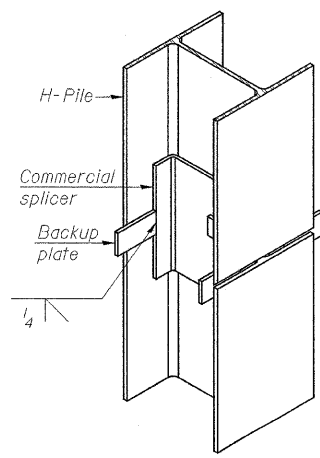
Designation	Depth d	Flange width bf	Web and Flange thickness t	Encasement diameter A
HP 14x117	14 1/4"	14 7/8"	13/16"	30"
x102	14"	14 3/4"	11/16"	30"
x89	13 7/8"	14 3/4"	5/8"	30"
x73	13 5/8"	14 5/8"	1/2"	30"
HP 12x84	12 1/4"	12 1/4"	11/16"	24"
x74	12 1/8"	12 1/4"	5/8"	24"
x63	12"	12 1/8"	1/2"	24"
x53	11 3/4"	12"	7/16"	24"
HP 10x57	10"	10 1/4"	9/16"	24"
x42	9 3/4"	10 1/8"	7/16"	24"
HP 8x36	8"	8 1/8"	7/16"	18"



ELEVATION

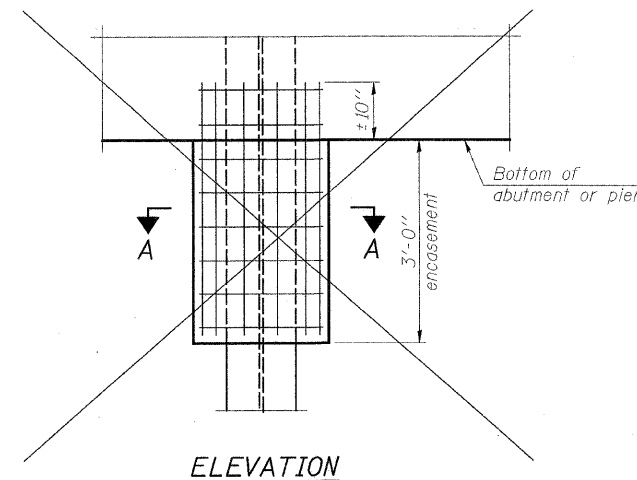


DETAIL "B"



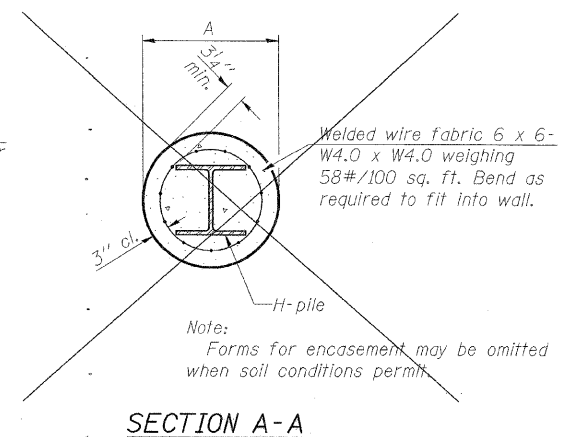
ISOMETRIC VIEW

WELDED COMMERCIAL SPLICE

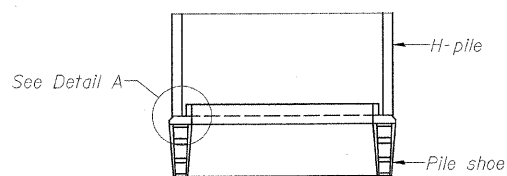


ELEVATION

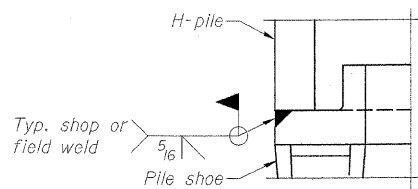
PILE ENCASEMENT



SECTION A-A

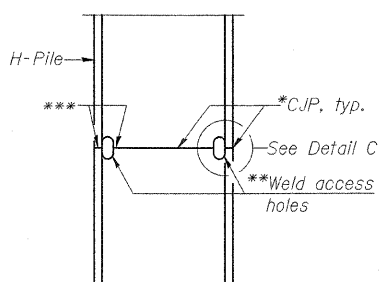


ELEVATION



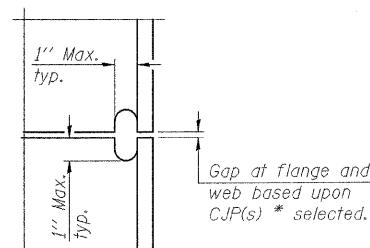
DETAIL A

H-PILE SHOE ATTACHMENT



ELEVATION

COMPLETE PENETRATION WELD SPLICE

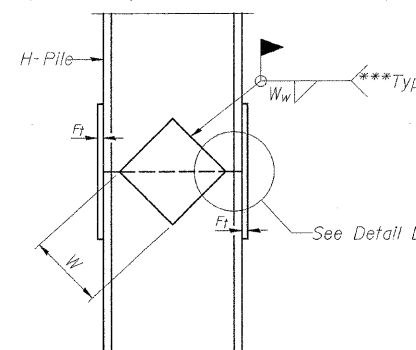


DETAIL C

* Use joint conforming to Figure 3.4 in AWS D1.1, Structure Welding Code - Steel.

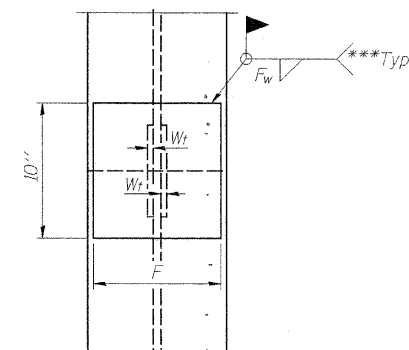
** Preparation per Fig. 5.2 in AWS D1.1, Structure Welding Code - Steel.

*** Interrupt welds 1/4" from end of each pile.

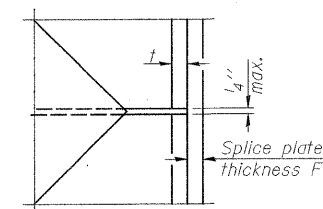


ELEVATION

WELDED PLATE FIELD SPLICE



END VIEW



DETAIL D

Designation	F ^t	F _t	F _w	W	W _t	W _w
HP 14x117	12 1/2"	1"	7/8"	7 3/4"	5/8"	1/2"
x102	12 1/2"	7/8"	3/4"	7 3/4"	5/8"	1/2"
x89	12 1/2"	3/4"	11/16"	7 3/4"	5/8"	1/2"
x73	12 1/2"	5/8"	9/16"	7 3/4"	5/8"	1/2"
HP 12x84	10"	7/8"	11/16"	6 1/2"	5/8"	1/2"
x74	10"	7/8"	11/16"	6 1/2"	5/8"	1/2"
x63	10"	5/8"	1/2"	6 1/2"	1/2"	3/8"
x53	10"	5/8"	1/2"	6 1/2"	1/2"	3/8"
HP 10x57	8"	3/4"	9/16"	5 1/4"	1/2"	3/8"
x42	8"	5/8"	9/16"	5 1/4"	1/2"	3/8"
HP 8x36	7"	5/8"	7/16"	4 1/4"	1/2"	3/8"

NOTE:
The steel H-piles shall be according to AASHTO M270 Grade 50.

PILE DETAILS
T.R. 271A OVER WEST BUREAU CREEK
STATION 60+00
S.N. 006-4376
WHA #1066D05

STRUCTURAL SHEET NO. 11C OF 13C SHEETS	F.A.S. RTE.	SECTION	COUNTY	TOTAL SHEETS	SHEET NO.
	188	05-00195-00-BR	BUREAU	127	124
CONTRACT NO. 87380					
FED. ROAD DIST. NO. 7 ILLINOIS FED. AID PROJECT BRS-0188(118)					