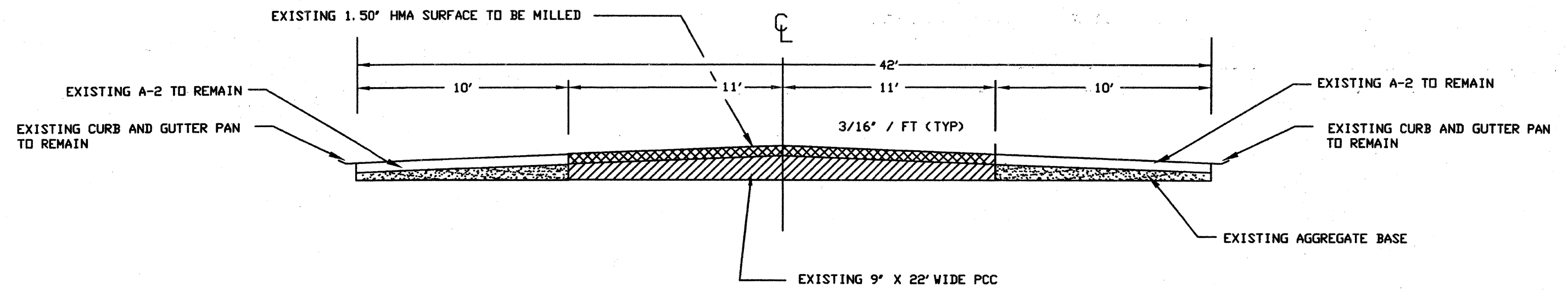


ROUTE NO. FAS 1322	SECTION	COUNTY	TOTAL SHEETS	SHEET NO.
	08-00091-01-RS	IRROQUOIS	9	3
	JOB # C-93-049-10		PROJECT RS-1322 (125)	
CONTRACT 87444				

EXISTING TYPICAL SECTION

STATION 10+00 TO 19+12



PROPOSED TYPICAL SECTION

STATION 10+00 TO 19+12

