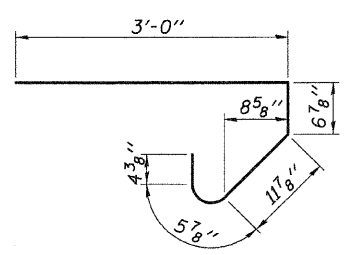


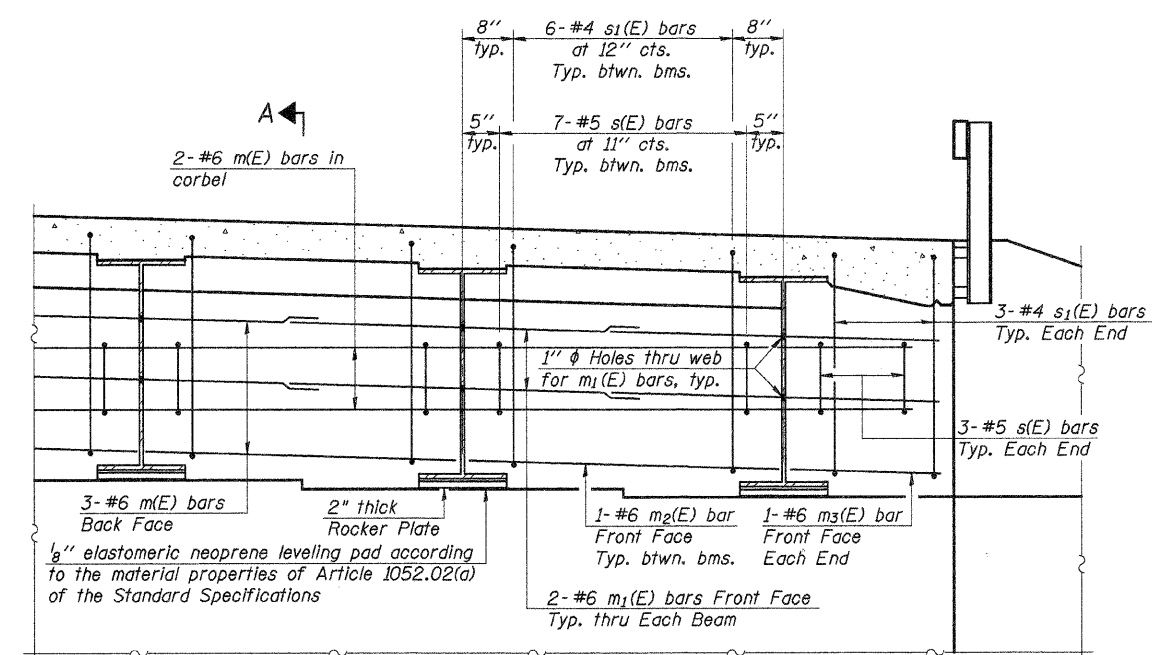
**BAR s<sub>1</sub>(E)**



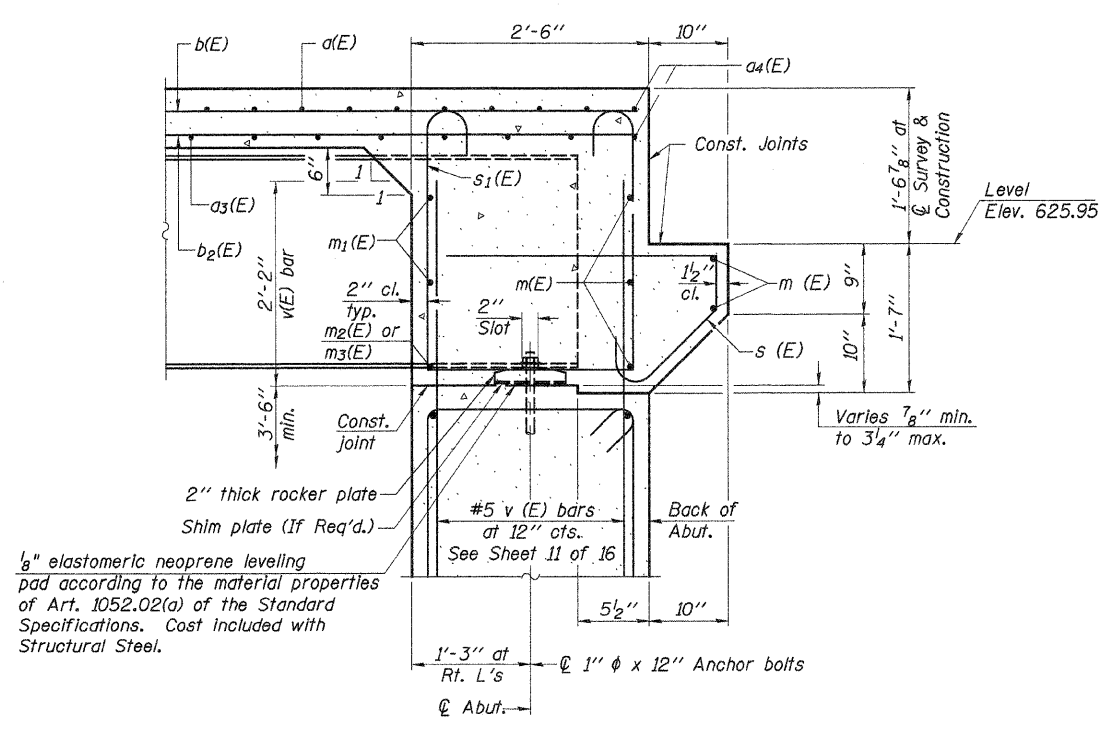
**BAR s(E)**

**Notes:**  
 Reinforcement bars in diaphragm are billed with superstructure on sheet 5 of 16.  
 Concrete in diaphragm is included with Concrete Superstructure on sheet 5 of 16.  
 The s(E) and s<sub>1</sub>(E) bars shall be placed parallel to the beams. Spacing for these bars shall be at right angles to the beams.

**MIN. BAR LAP**  
 #6 bar = 2'-0"



**DIAPHRAGM ELEVATION AT ABUTMENT**



**SECTION A-A**

Dimensions at right angles to abutment, except as shown.

DESIGNED	A.R.K.
CHECKED	A.L.S.
DRAWN	S.A.P.
CHECKED	A.R.K. & A.L.S.

Work this Sheet with Sheet 5 of 16.

**SUPERSTRUCTURE DETAILS**  
 SECTION 04-16101-02-BR  
 MARTINTON ROAD DISTRICT  
 IROQUOIS COUNTY  
 STATION 38+50