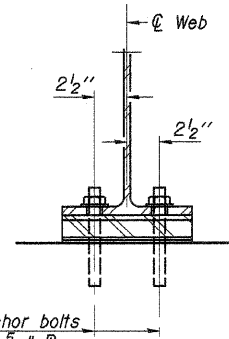


ELEVATION AT ABUTMENTS

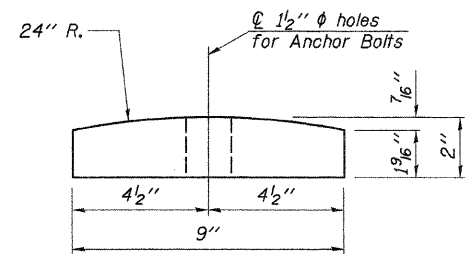


SECTION A-A

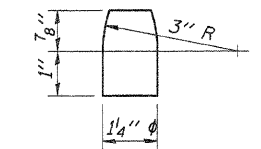
1/8" elastomeric neoprene leveling pad according to Article 1052.02(a) of the Standard Specifications. Cost included with Structural Steel.

1" diameter x 1'-0" anchor bolts with 2 1/4" x 2 1/4" x 5/16" flat washer under nut. 1 3/8" x 2" slotted hole in flange. 1/2" diameter holes in bearing plate.

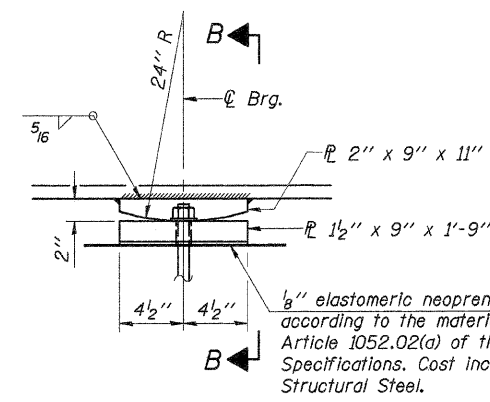
ABUTMENT BEARING
(10 Required)
Weight included with Structural Steel.



BEARING PLATE DETAIL

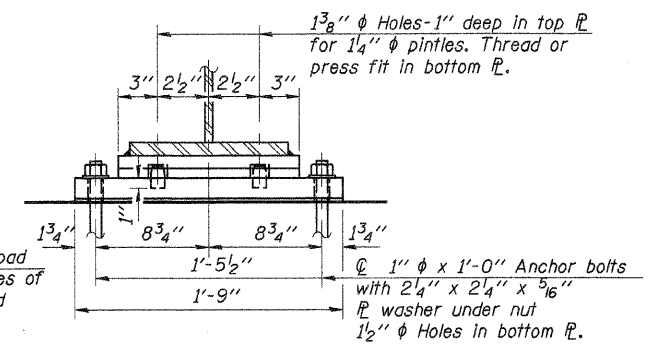


PINTLE



ELEVATION AT PIERS 1 & 2

FIXED BEARING
(10 Required)
Weight included with Structural Steel.



SECTION B-B

BILL OF MATERIAL

Item	Unit	Total
Anchor Bolts 1"	Each	40

Notes: Two 1/8" adjusting shims, of the dimension of the bottom bearing plate, shall be provided for each bearing in addition to all other plates or shims.
Anchor bolts shall be ASTM F1554 Grade 36, all-thread of the diameter(s) specified. ASTM A307 Grade C anchor bolts may be used in lieu of ASTM F1554 Grade 36 (Fy=36 ksi). The corresponding specified grade of AASHTO M314 anchor bolts may be used in lieu of ASTM F1554.
Anchor bolts at fixed bearings may be either cast in place or installed in holes drilled after the supported member is in place.
Drilled and set anchor bolts shall be installed according to Article 521.06 of the Standard Specifications.

DESIGNED	A.L.S.
CHECKED	A.R.K.
DRAWN	S.A.P.
CHECKED	A.R.K. & A.L.S.

I-2E-2 10-1-08

Work this sheet with sheets 8 & 9 of 16.

BEARING DETAILS
SECTION 04-16101-02-BR
MARTINTON ROAD DISTRICT
IROQUOIS COUNTY
STATION 38+50

4440 ASH GROVE SPRINGFIELD, IL. 62711 (217) 793-8600 www.fehr-graham.com	FEHR-GRAHAM & ASSOCIATES, LLC ENGINEERING AND SCIENCE CONSULTANTS MEMBER: S. SOCIETY OF PROFESSIONAL ENGINEERS	JOB NO.: 48341 FILE: BEARING.DGN DATE: 12/04/09
---	---	---