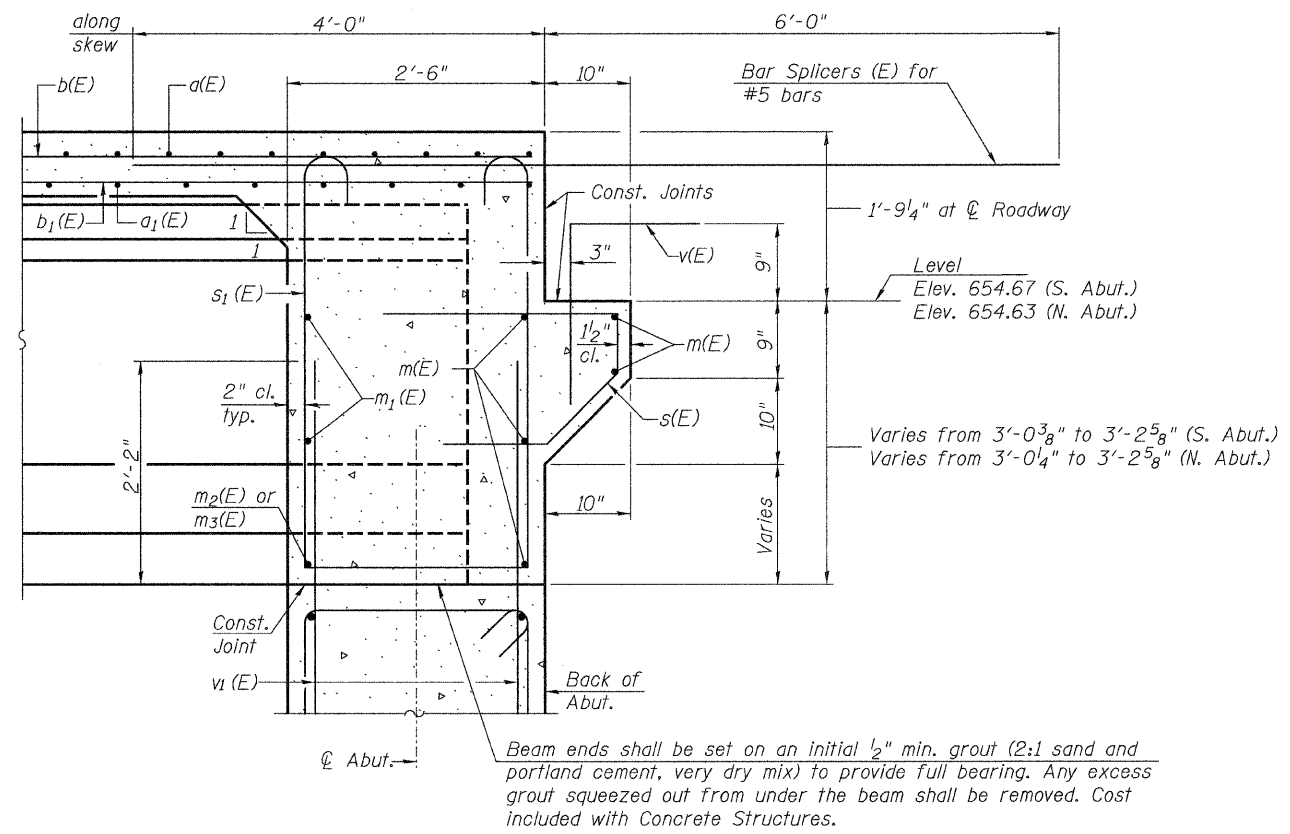


**DIAPHRAGM ELEVATION AT ABUTMENT**

**Notes:**  
 Reinforcement bars in diaphragm are billed with superstructure on sheet 8 of 22.  
 Concrete in diaphragm is included with Concrete Superstructure on sheet 8 of 22.  
 The s(E) and s1(E) bars shall be placed parallel to beams. Spacing for these bars shall be at right angles to beams.  
 For details of bars s(E) and s1(E) see sheet 8 of 22.  
 For placement of v(E) bars see sheet 14 and 15 of 22.



**SECTION A-A**

Dimensions at right angles to abutment, except as shown.

**MIN. BAR LAP**  
 #6 bar = 2'-9"

**DIAPHRAGM DETAILS**

SHEET NO. 9	RTE.	SECTION	COUNTY	TOTAL SHEETS	SHEET NO.
	CH 25	09-00658-00-BR	LASALLE	39	16
22 SHEETS	SN 050-3598		CONTRACT NO. 87451		
	FED. ROAD DIST. NO. 7 ILLINOIS		FED. AID PROJECT BRS-0271(103)		