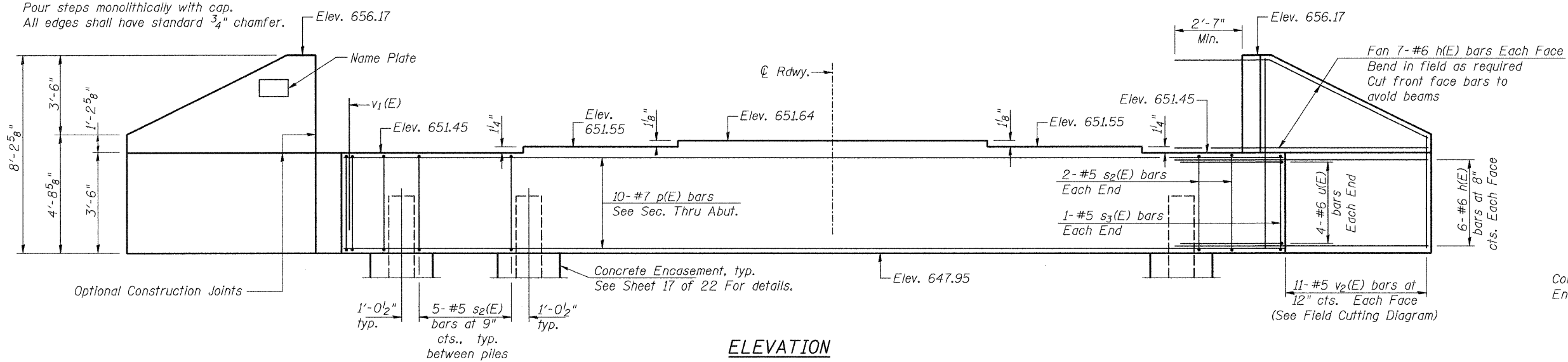
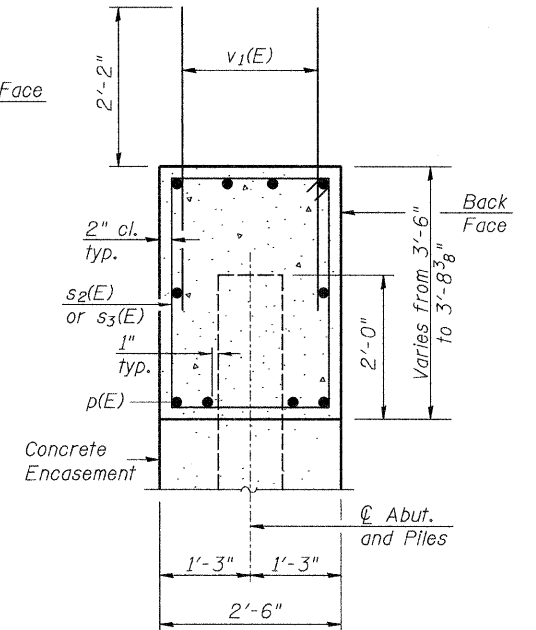


Notes:

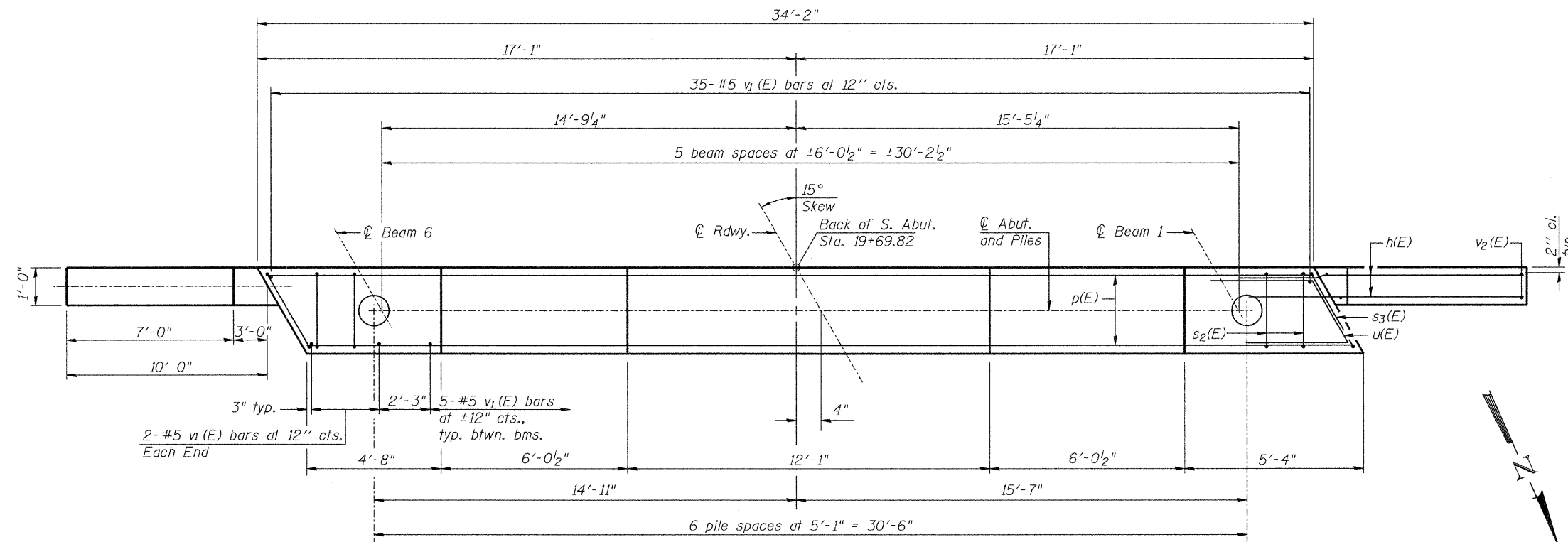
Pour steps monolithically with cap.
All edges shall have standard 3/4" chamfer.



ELEVATION



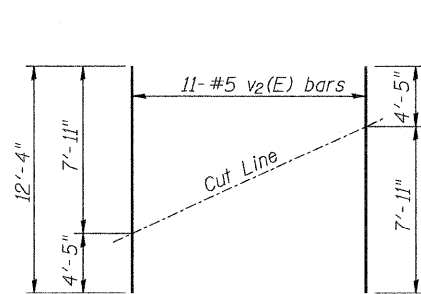
SEC. THRU ABUT.
(At Right Angles)



PLAN

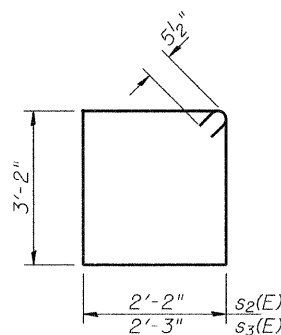
PILE DATA

Type: Metal Shells-12"x0.250" walls w/ pile shoes
Nominal Required Bearing: 355k
Factored Resistance Available: 178k
Est. Length: 50'
No. Production Piles: 6
No. Test Piles: 1

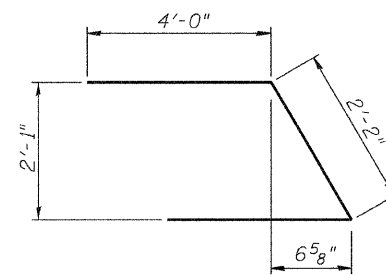


FIELD CUTTING DIAGRAM

Order v2(E) full length. Cut as shown and use remainder of bars in opposite face.



BARS s2(E) & s3(E)



BAR u(E)

**SOUTH ABUTMENT
BILL OF MATERIAL**

Bar	No.	Size	Length	Shape
h(E)	52	#6	12'-6"	—
p(E)	10	#7	33'-10"	—
s2(E)	34	#5	11'-7"	□
s3(E)	2	#5	11'-9"	□
u(E)	8	#6	10'-2"	□
v1(E)	64	#5	4'-4"	—
v2(E)	22	#5	12'-4"	—
Structure Excavation			Cu. Yd.	165
Concrete Structures			Cu. Yd.	16.2
① Reinforcement Bars, Epoxy Coated			Pound	2,800
Name Plates			Each	1
Furnishing Metal Shell Piles 12"x0.250"			Foot	300
① Driving Piles			Foot	300
① Test Pile Metal Shells			Each	1
Pile Shoes			Each	7
Concrete Encasement			Cu. Yd.	3.2

① See Special Provisions

For details of Piles and Concrete Encasement, see sheet 17 of 22.

SOUTH ABUTMENT

SHEET NO. 14	RTE.	SECTION	COUNTY	TOTAL SHEETS	SHEET NO.
22 SHEETS	CH 25	09-00658-00-BR	LASALLE	39	21
SN 050-3598			CONTRACT NO. 87451		
FED. ROAD DIST. NO. 7 ILLINOIS			FED. AID PROJECT BRS-0271(103)		