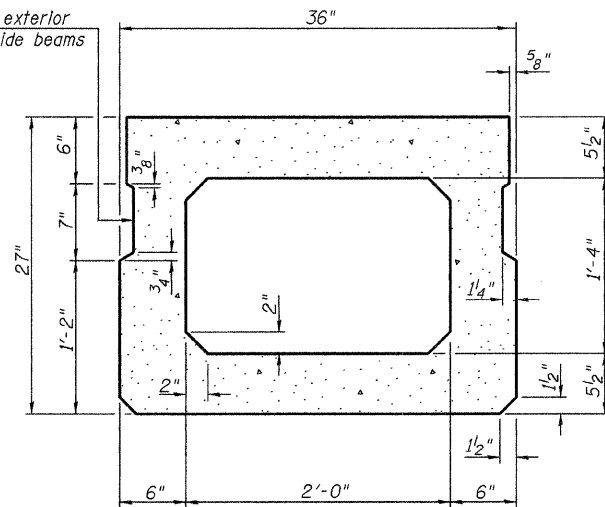


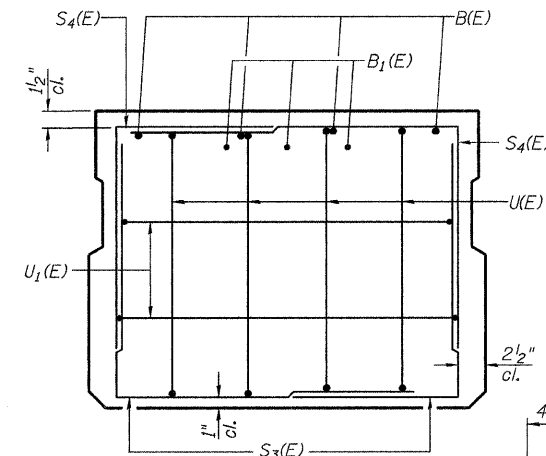
**SECTION C-C**

\*\*Omit key on exterior face of outside beams

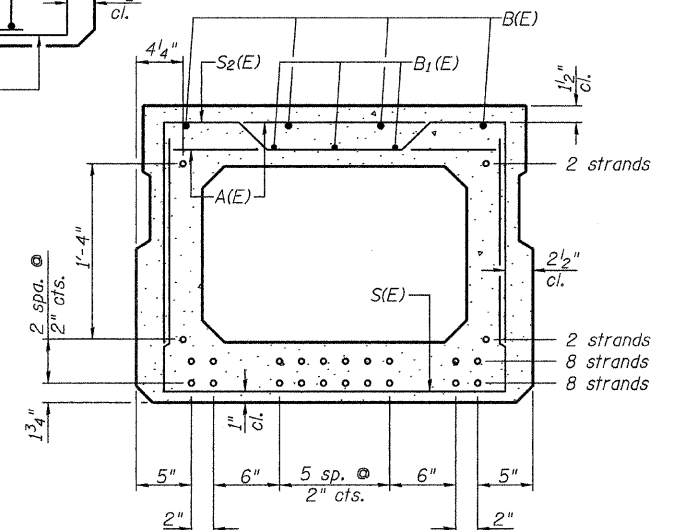


**SECTION A-A (Showing Dimensions)**

\*\*Roll post anchor devices (Sheet 4 of 9) to be cast into exterior face of outside beams.

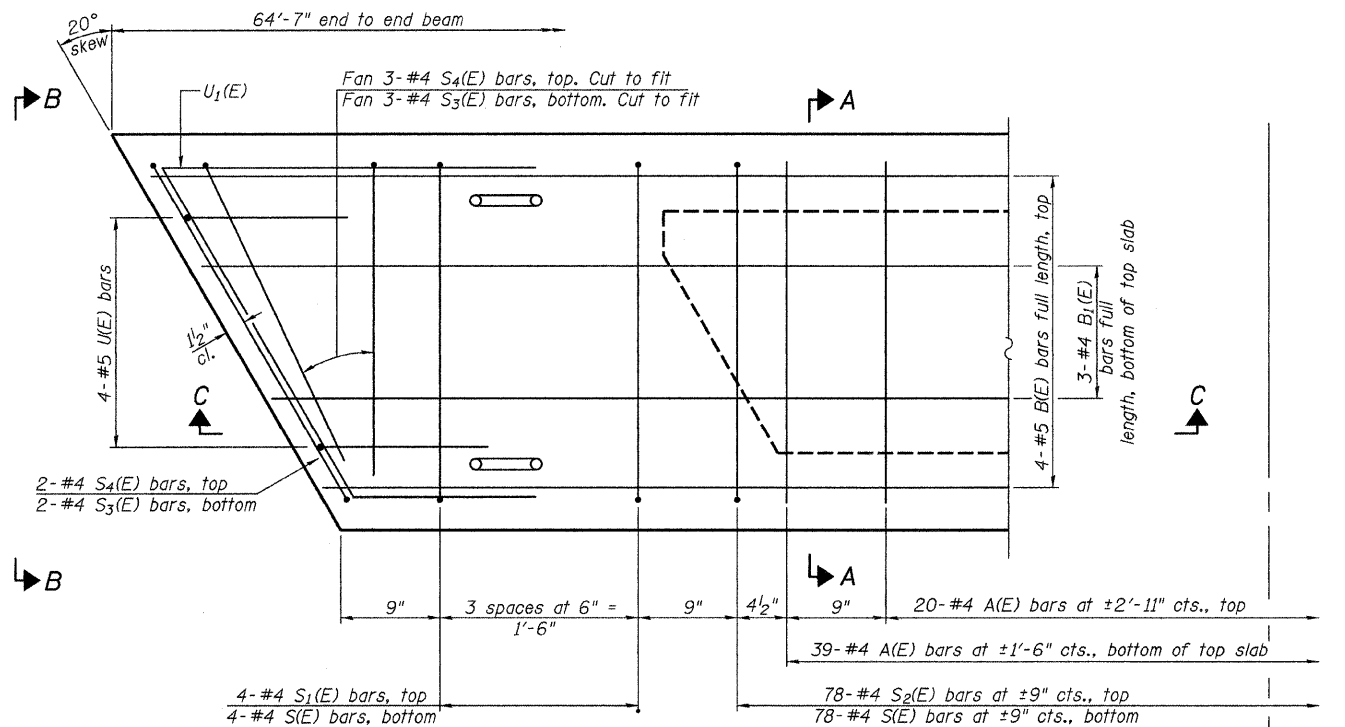


**VIEW B-B**



**SECTION A-A**

20-1/2"  $\phi$  Strands Each Strand Stressed to 30,900 Lbs.  
 8-Strands 1 3/4" up, 8-Strands 3 3/4" up, 2-Strands 5 3/4" up,  
 2-Strands 1'-9 3/4" up  
 Note: Place the number of strands specified in each row symmetrically about the centerline of beam in the permissible strand locations shown.



**PLAN VIEW**

Note: Spacing of S(E) and S2(E) bars may be adjusted up to 4" in the immediate area of the transverse tie diaphragms to miss the block outs for the transverse ties.

**BAR S(E)**

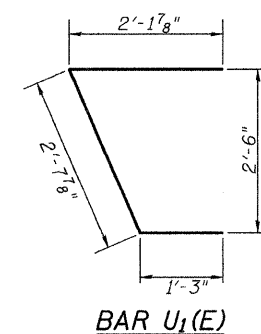
**BAR S1(E)**

**BAR S2(E)**

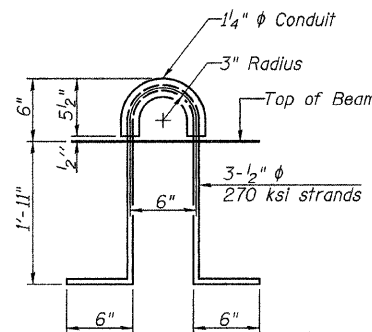
**BAR S3(E)**

**BAR S4(E)**

**BAR U(E)**



**BAR U1(E)**



**LIFTING LOOP DETAIL**

**BAR LIST-ONE BEAM ONLY**

(For information only)

Bar	No.	Size	Length	Shape
A(E)	59	#4	2'-7"	—
B(E)	4	#5	*64'-4"	—
B1(E)	3	#4	*64'-4"	—
S(E)	86	#4	6'-5"	U
S1(E)	8	#4	5'-11"	U
S2(E)	78	#4	6'-2"	U
S3(E)	10	#4	4'-8"	U
S4(E)	10	#4	4'-5"	U
U(E)	8	#5	4'-6"	U
U1(E)	4	#4	6'-1"	U

\* Total Length. Lap as necessary

Note: See sheet 2 of 9 for additional details and Bill of Material.

**SUPERSTRUCTURE DETAILS**  
**IROQUOIS COUNTY**  
**SECTION 02-01122-00-BR**  
**T.R. 14A OVER LOUIS CREEK**

SHEET NO. 3 9 SHEETS	ROUTE NO.	SECTION	COUNTY	TOTAL SHEETS	SHEET NO.
	TR 14A	02-01122-00-BR	IROQUOIS	22	9
	S.N. 038-3062		CONTRACT NO. 87460		
FED. ROAD DIST. NO. 7 ILLINOIS		FED. AID PROJECT BROS-0075(138)			