

**TWO ABUTMENTS
BILL OF MATERIAL**

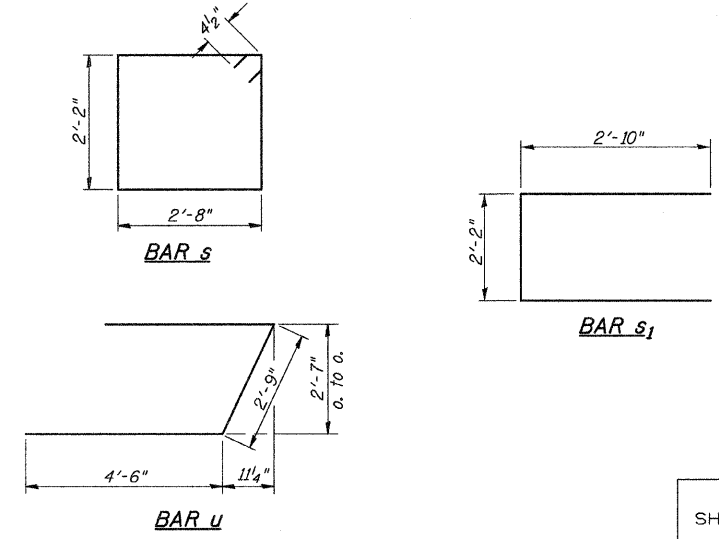
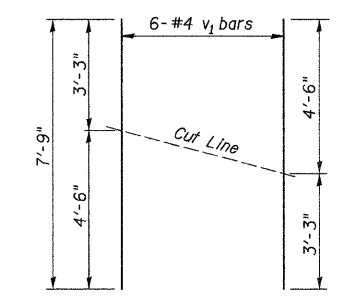
BAR	NO.	SIZE	LENGTH	SHAPE
h	12	#4	32'-9"	—
h ₁	48	#4	6'-6"	—
p	20	#7	32'-9"	—
s	64	#4	10'-5"	□
s ₁	2	#4	7'-10"	□
u	12	#6	11'-9"	□
v	132	#4	4'-0"	—
v ₁	24	#4	7'-9"	—
Concrete Structures			CU YD	27.2
Reinforcement Bars			POUND	2,950
Structure Excavation			CU YD	70
Name Plates			EACH	1
Furnishing Steel Piles			FOOT	507
HP10x42				
Driving Piles			FOOT	507
Test Pile Steel HP10x42			EACH	1
Concrete Encasement			CU YD	3.5

① See Special Provisions

DESIGN STRESSES
 $f'_c = 3,500$ p.s.i.
 $f_y = 60,000$ p.s.i.

PILE DATA
 Type & Size: Steel HP10x42
 Nominal Required Bearing: 320 kips
 Factored Resistance Available: 160 kips
 Est. Length: 55' South Abutment
 58' North Abutment
 No. Req'd.: 10 (Includes 1 Test Pile at North Abut.)

NOTES
 1. The Backwall and the portion of the Wingwalls above the bonded construction joint shall be cast against the in-place beam.
 2. Reinforcement bars shall conform to ASTM A706 Grade 60.



BAR CUTTING DIAGRAM
 * Order v₁ bars full length. Cut as shown and use remainder of bars in opposite face.

**ABUTMENTS
IROQUOIS COUNTY
SECTION 02-01122-00-BR
T.R. 14A OVER LOUIS CREEK**

SHEET NO. 6 9 SHEETS	ROUTE NO.	SECTION	COUNTY	TOTAL SHEETS	SHEET NO.
	TR 14A	02-01122-00-BR	IROQUOIS	22	12
	S.N. 038-3062		CONTRACT NO. 87460		
FED. ROAD DIST. NO. 7 ILLINOIS		FED. AID PROJECT BROS-0075(138)			