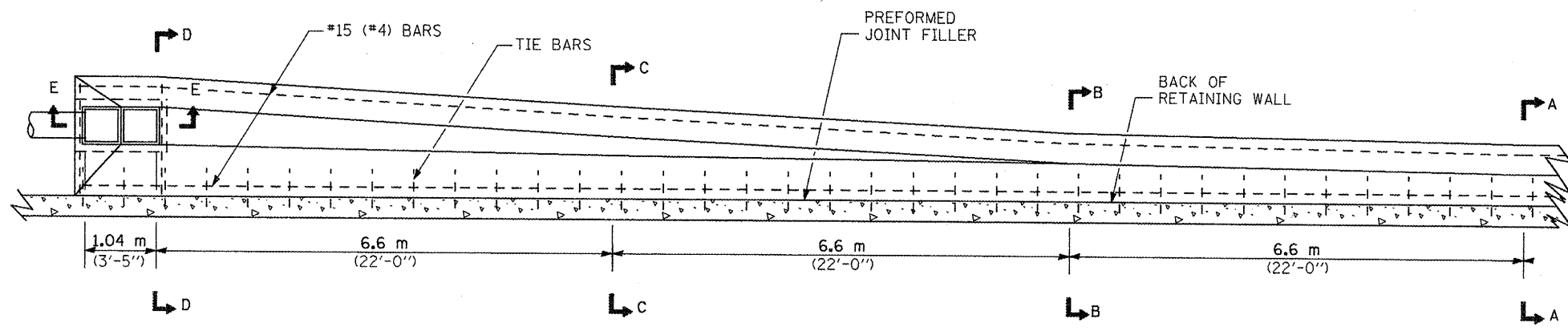


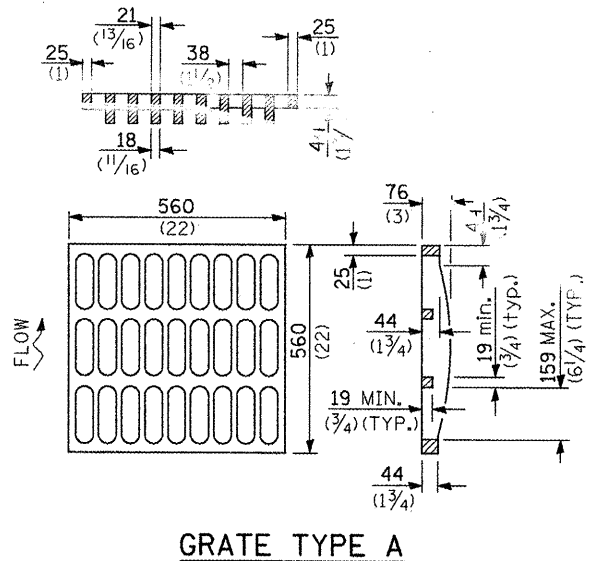
F.A.P. RTE.	SECTION	COUNTY	TOTAL SHEETS	SHEET NO.
399	36R-1,37R-2	TAZEWELL	449	171
STA 7+663.000		TO STA 10+097.000		
FED. ROAD DIST. NO. 4		ILLINOIS FED. AID PROJECT		



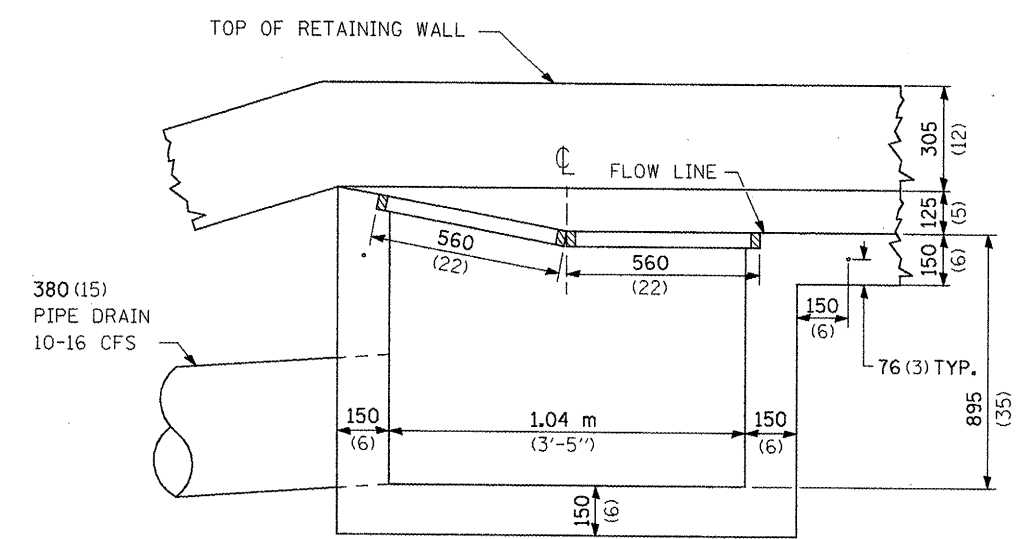
QUANTITIES

MATERIAL	DOUBLE
CONCRETE - m ³ (CU.YD.)	6 (7.5)
CAST IRON GRATE - EA. (57 kg (125 LBS.))	2

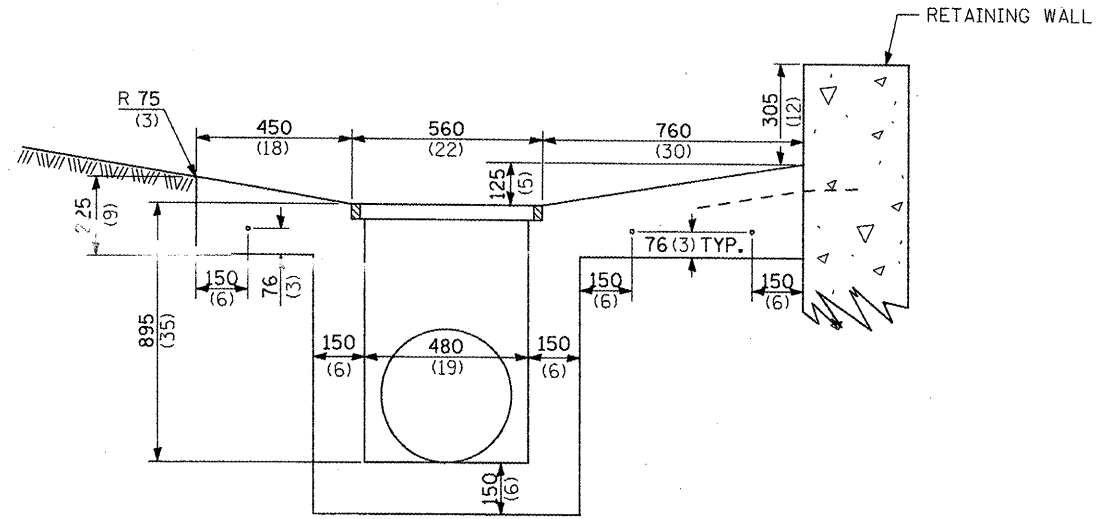
REINFORCEMENT BARS SHOWN ON THIS SHEET ARE INCIDENTAL TO THE PAY ITEM CONCRETE.



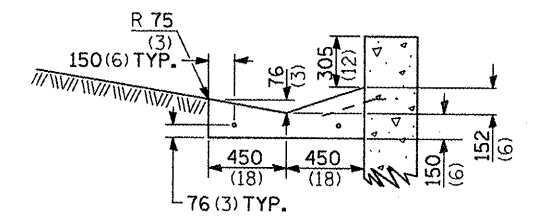
PLAN-DOUBLE OUTLET



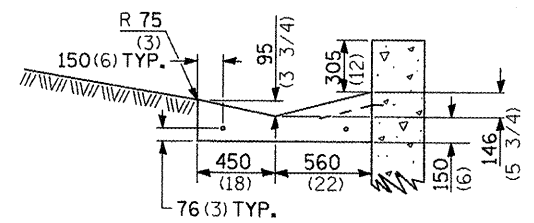
SECTION E-E



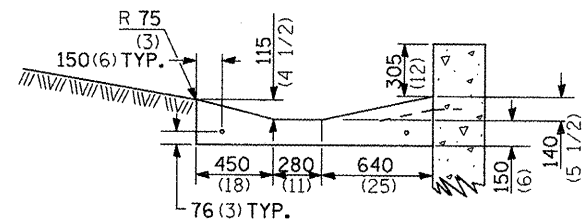
SECTION D-D



SECTION A-A



SECTION B-B



SECTION C-C

GENERAL NOTES

1. TIE BARS SHALL BE NO. 20 (NO. 6) AT 600 mm (24") CENTERS UNLESS OTHERWISE SHOWN
2. THE GRADE OF THE TOP OF RETAINING WALL FOR THE DISTANCE A-D IS 7%. THIS DISTANCE HAS BEEN INCREASED IN ACCORDANCE WITH IDOT STANDARD 606106.
3. SEE DRAINAGE SCHEDULE FOR INVERT AND RIM INFORMATION.
4. SEE DRAINAGE AND UTILITIES PLAN AND PROFILE SHEETS FOR MORE INFORMATION.
5. SEE STRUCTURAL PLANS FOR MORE RETAINING WALL INFORMATION.

ALL DIMENSIONS ARE IN MILLIMETERS (INCHES) UNLESS OTHERWISE SHOWN.

REVISIONS		ILLINOIS DEPARTMENT OF TRANSPORTATION ILLINOIS ROUTE 8 - SEGMENT 2 DOUBLE OUTLET TYPE 1 (SPECIAL) FOR TYPE A GUTTER (MODIFIED) AT THE BACK OF RETAINING WALL
NAME	DATE	
		SCALE: N.T.S. DRAWN BY: GRHjr
		DATE: DECEMBER, 2003 CHECKED BY: PK