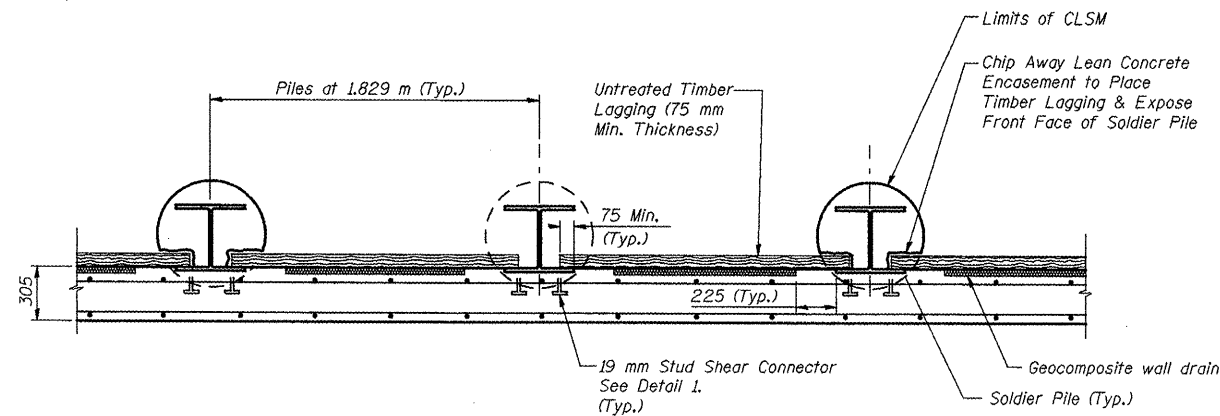
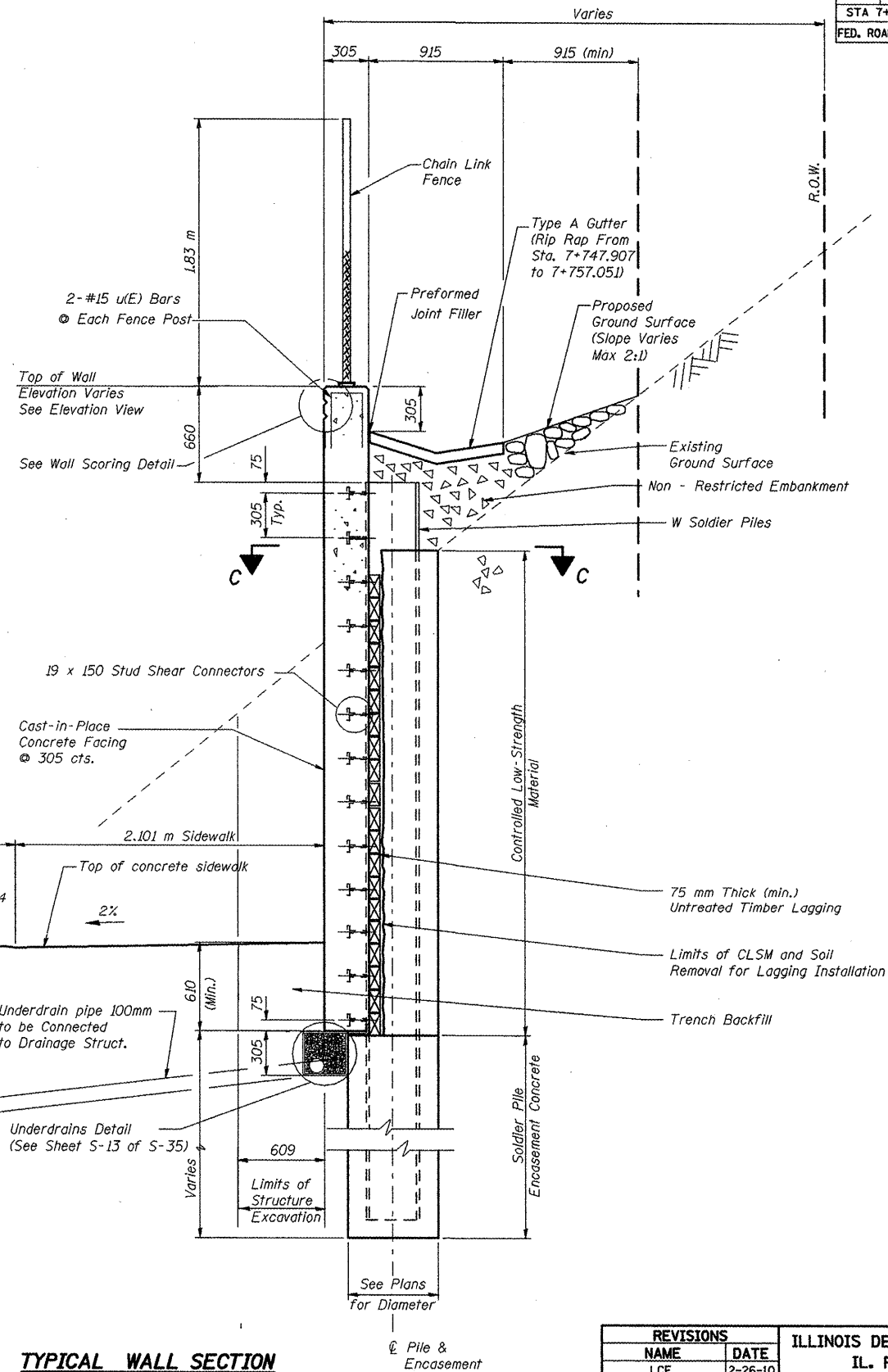


F.A.P. RTE.	SECTION	COUNTY	TOTAL SHEETS	SHEET NO.
399	36R-1,37R-2	TAZEWELL	449	209
STA 7+663,000		TO STA 10+011,000		
FED. ROAD DIST. NO. 4		ILLINOIS FED. AID PROJECT		

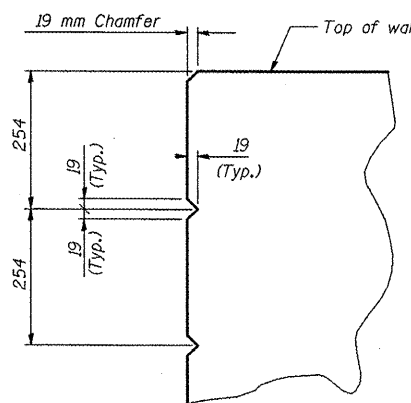
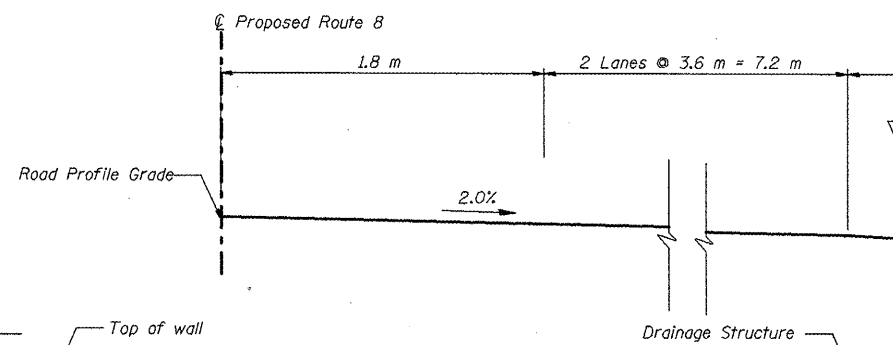
Contract No. 88859  
SHT. 5-12 of S-35



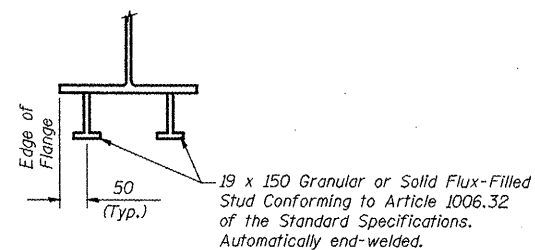
**SECTION C-C**



**TYPICAL WALL SECTION AT SOLDIER PILE**



**WALL SCORING DETAIL**



**DETAIL 1**

REVISIONS	
NAME	DATE
LCE	2-26-10

ILLINOIS DEPARTMENT OF TRANSPORTATION  
IL. RT. 8 - SEG. 2 FAP 399  
SECTION 36R-1, 37R-2 TAZEWELL COUNTY  
DRILLED SOLDIER PILE WALL  
STA 7+750 TO STA 8+150  
S.N. 090-8516  
DETAILS  
DESIGNED BY: J.NEU DRAWN BY: A.HENCELS  
CHECKED BY: A.HALL CHECKED BY: J.NEU  
DATE: 2-05

