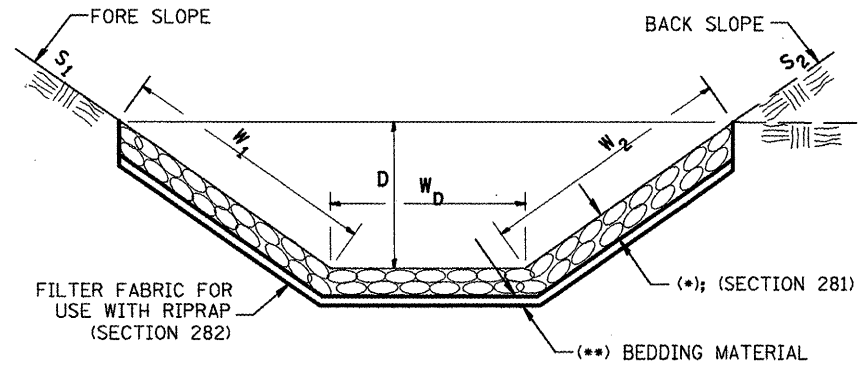


F.A. RTE.	SECTION	COUNTY	TOTAL SHEETS	SHEET NO.
399	36R-1, (37R-2)	TAZWELL	449	242
STA.		TO STA.		
FED. ROAD DIST. NO. 4 ILLINOIS FED. AID PROJECT				

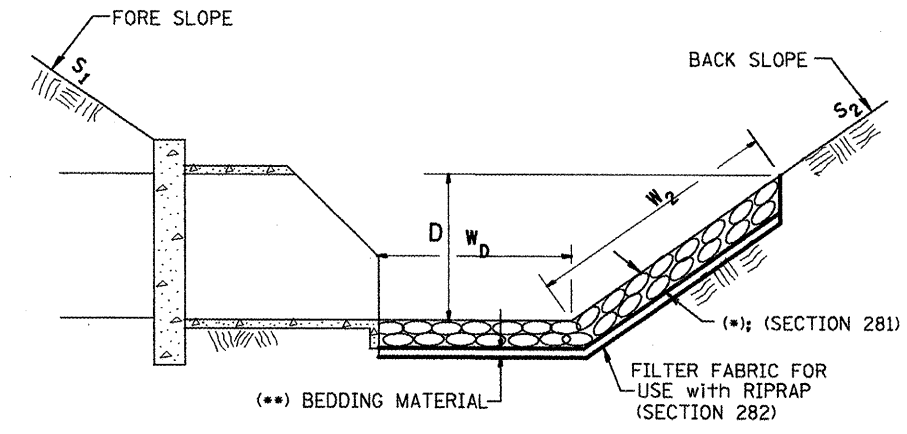
**CASE 1  
(DITCH)**



(*)				
LOCATION	WIDTH (1)	LENGTH	RIPRAP	FABRIC
STA TO STA	m (lin ft)	m (lin ft)	m tons (tons)	m <sup>2</sup> (sq yds)
TOTAL				

(1) WIDTH =  $W_1 + W_2 + W_D$

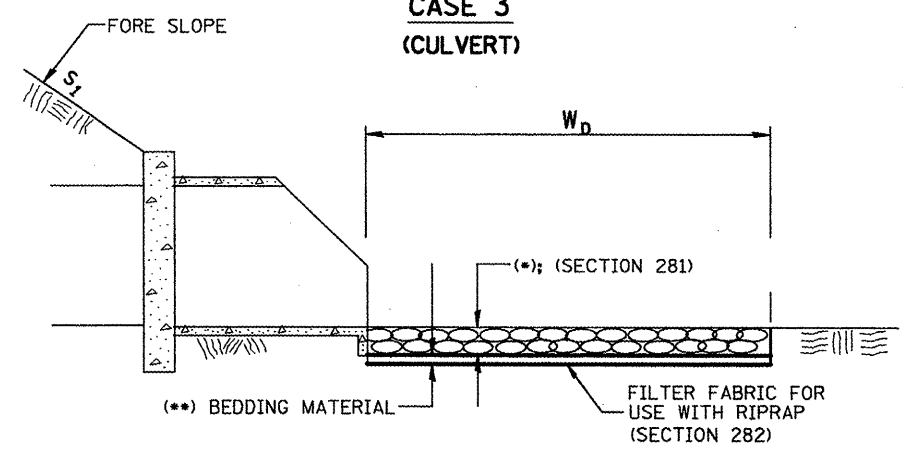
**CASE 2  
(CULVERT & SLOPE)**



(*)				
LOCATION	WIDTH (1)	LENGTH	RIPRAP	FABRIC
STA TO STA	m (lin ft)	m (lin ft)	m tons (tons)	m <sup>2</sup> (sq yds)
TOTAL				

(1) WIDTH =  $W_2 + W_D$

**CASE 3  
(CULVERT)**



(*)				
LOCATION	WIDTH (1)	LENGTH	RIPRAP	FABRIC
STA TO STA	m (lin ft)	m (lin ft)	m tons (tons)	m <sup>2</sup> (sq yds)
TOTAL				

(1) WIDTH =  $W_D$

All slope ratios are expressed as units of vertical displacement to units of horizontal displacement (V:H).  
All dimensions are in millimeters (Inches) unless otherwise noted.

ILLINOIS DEPARTMENT OF TRANSPORTATION  
**SPECIAL DETAIL SHEET**

**RIPRAP DITCH FOR EROSION PROTECTION**

CADD DETAIL 281001-D4  
SCALE: NOT DRAWN TO SCALE  
DATE \*\*DATE\*\*

DRAWN BY CADD  
CHECKED BY

DATE	REVISIONS	BY
1-1-97	RENUM. A-12.02, NEW REVISION BOX	T.P.
12-1-97	CORRECT FILTER FABRIC LEADER ARROW	J.A.

- 2. (\*) Designer to specify pay item including material, quality, and graduation.
- 3. (\*\*) Designer to specify thickness of bedding material.
- 4. Include District Special Provision if needed.

\*\*\*DATE\*\*