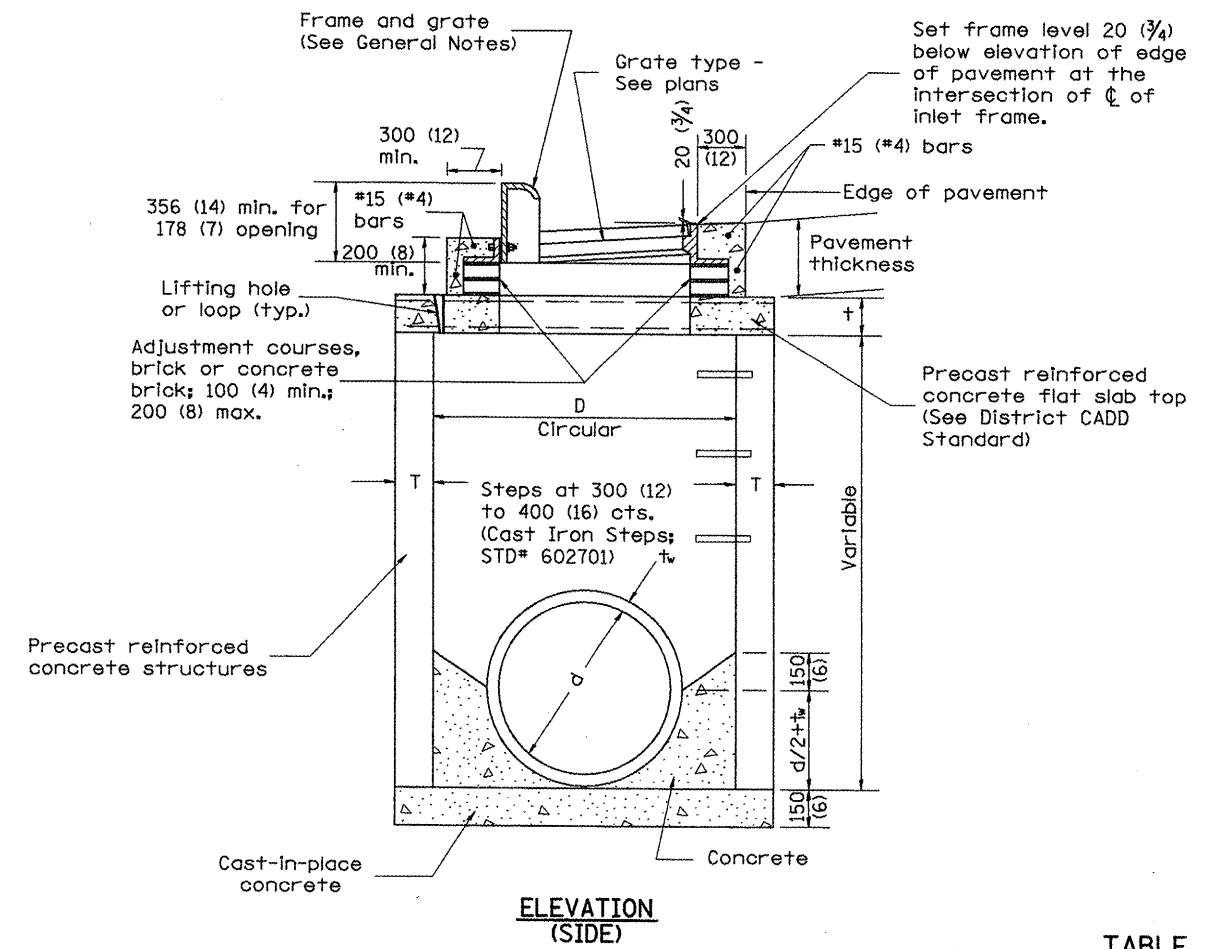
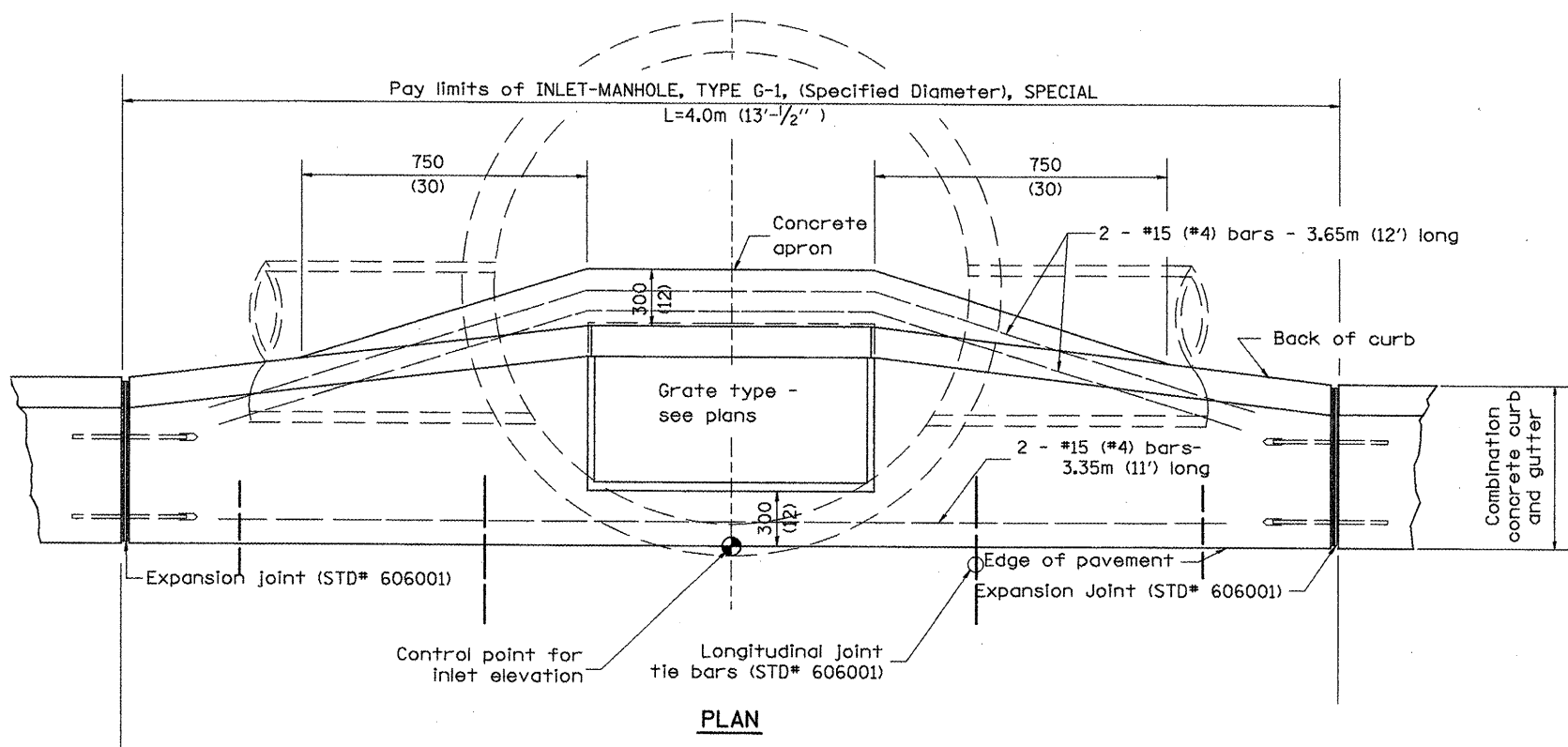


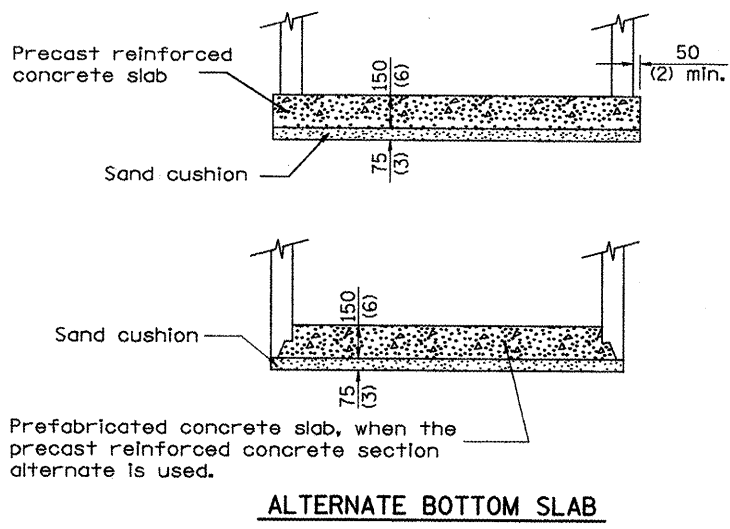
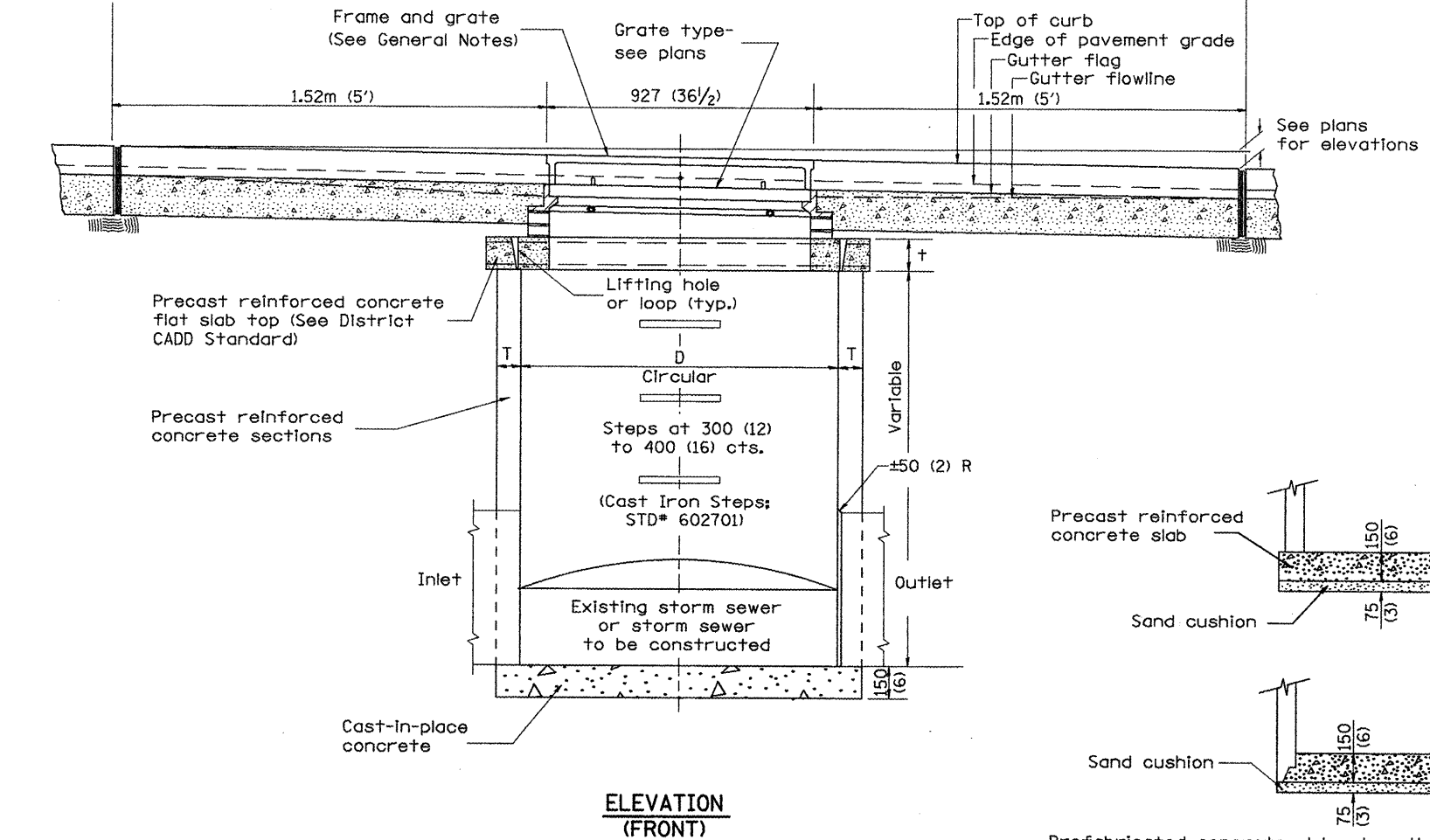
F.A. RTE.	SECTION	COUNTY	TOTAL SHEETS	SHEET NO.
399	36R-1, (37R-2)	TAZEWELL	449	268
STA.		TO STA.		
FED. ROAD DIST. NO. 4 ILLINOIS FED. AID PROJECT				



**TABLE**

D	T	+
1.2m (4')	125 (5)	150 (6)
1.5m (5')	150 (6)	200 (8)
1.8m (6')	195 (7 3/4)	200 (8)
2.4m (8')	225 (9)	250 (10)

- GENERAL NOTES**
- Inlet-manhole construction shall be in accordance with Section 602 of the Standard Specifications.
  - Combination concrete curb and gutter shall be constructed in accordance with Section 606 of the Standard Specifications.
  - See District CADD Standard 604001-D4 for frame and grates.
  - See District CADD Standard for precast reinforced concrete flat slab top.



All dimensions are in millimeters (inches) unless otherwise noted.

ILLINOIS DEPARTMENT OF TRANSPORTATION  
**DISTRICT CADD STANDARD**

**INLET-MANHOLE, TYPE G-1, SPECIAL**

CADD STANDARD 602026-D4  
SCALE NOT TO SCALE  
DATE ##DATE##

DRAWN BY CADD  
CHECKED BY

DATE	REVISIONS	BY
1-1-97	RENUM. B-4.06, NEW REVISION BOX	T.P.
12-1-98	CORRECT E. O. P. NOTE	J.A.
10-99	REVISION TO GENERAL NOTES	J.A.

include State SUD# 420001 for pavement joints.  
include State STD# 602701 for cast iron steps.  
include District CADD Standard for frame and grates.  
include District CADD Standard for precast reinforced concrete flat slab top.  
include District CADD Standard for precast reinforced concrete curb and gutter.  
include District CADD Standard for expansion joint.  
include District CADD Special Provision. Pay Item includes Inlet - manhole, flat slab top, transitional c.o.c.&g. and frame and grate. All work within pay limits.  
Specify diameter of Inlet - manhole in plans.  
Specify grate type in plans.