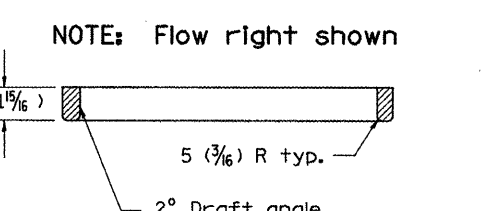
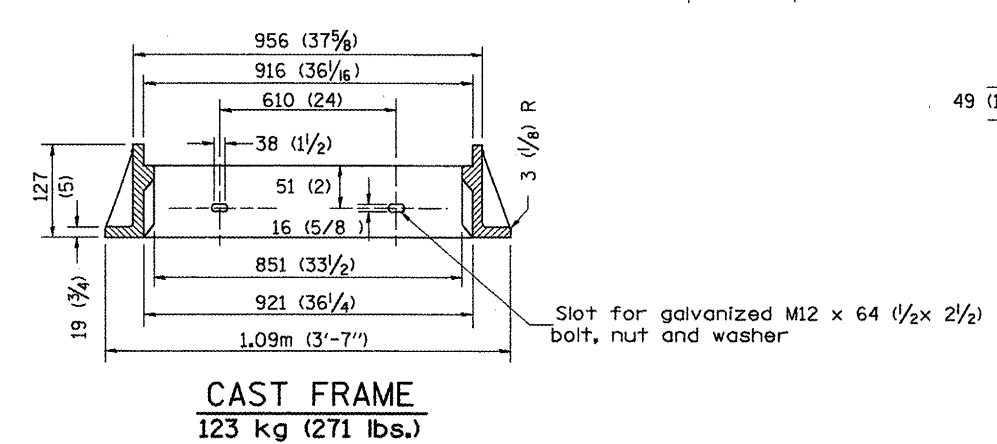
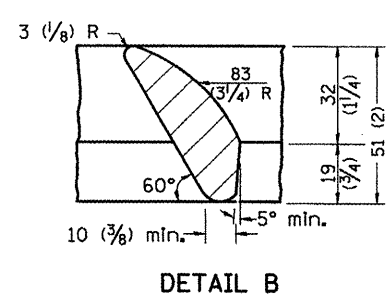
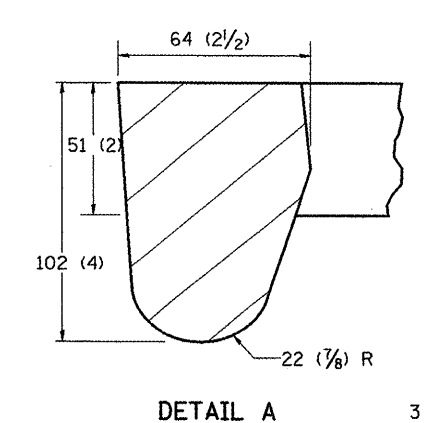
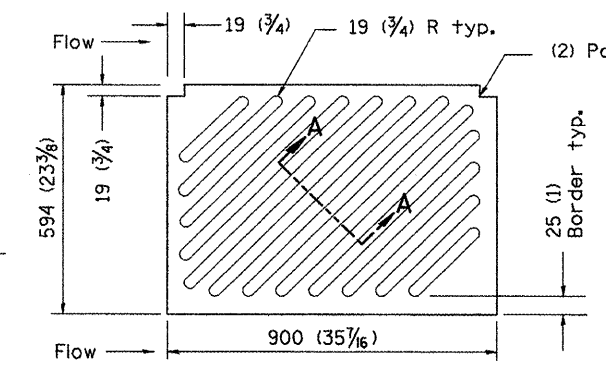
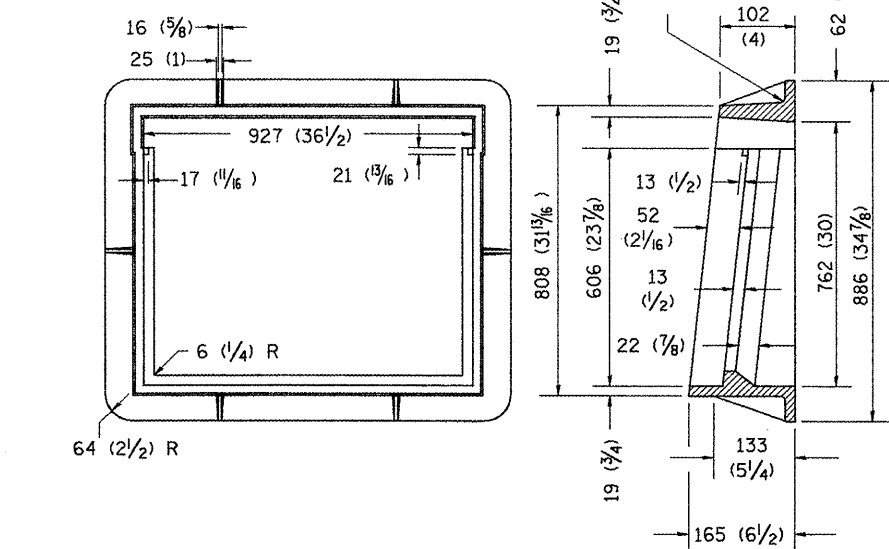
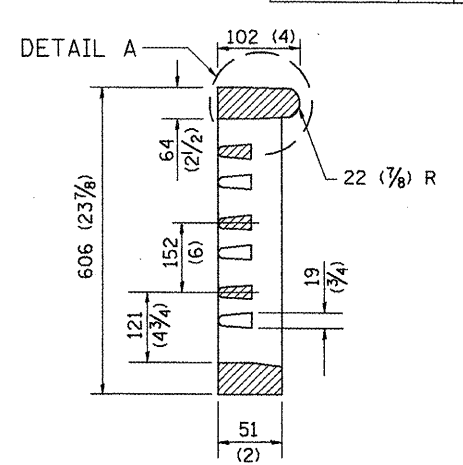
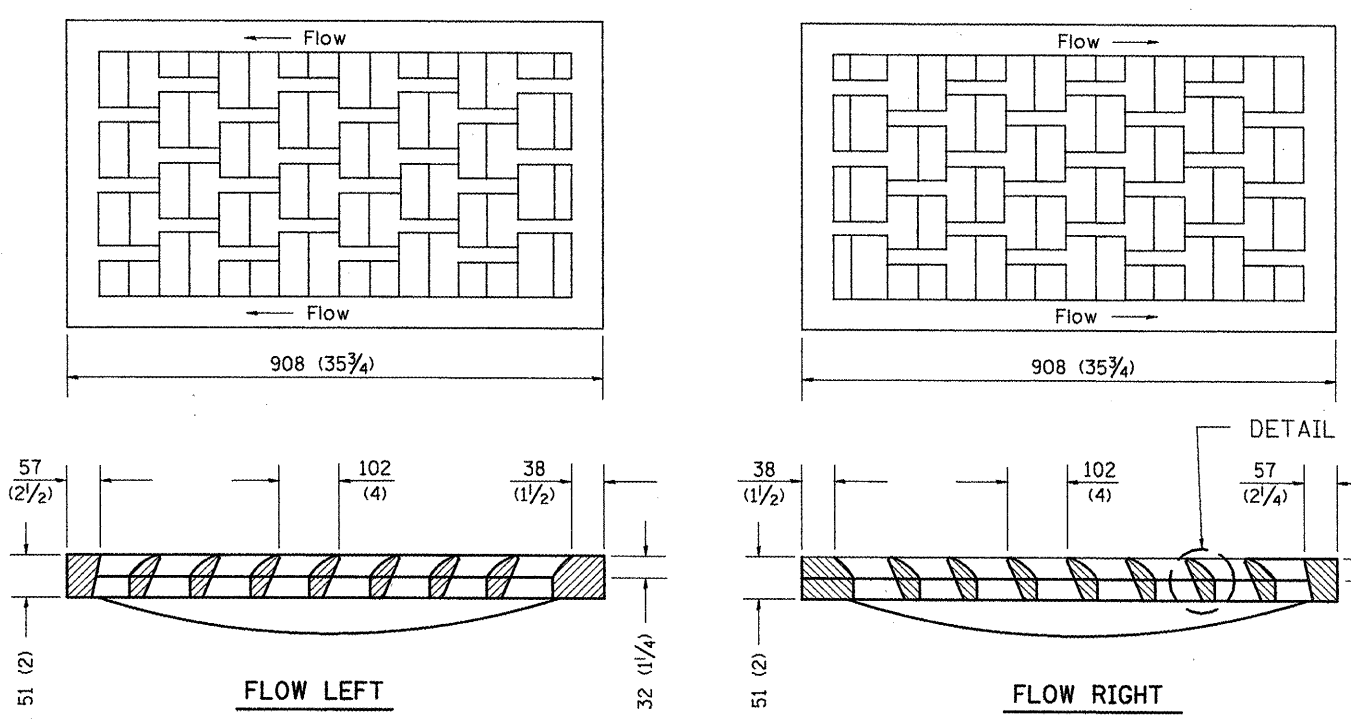
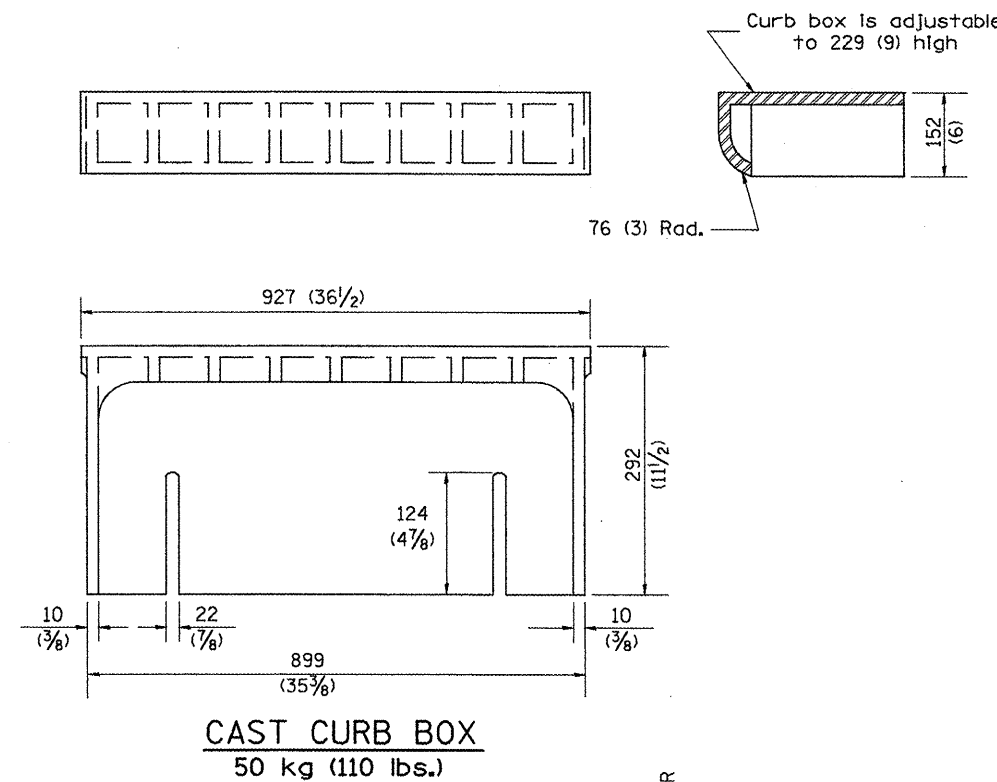


F.A.P. RTE.	SECTION	COUNTY	TOTAL SHEETS	SHEET NO.
399	36R-1, (37R-2)	TAZEWELL	449	270
STA.		TO STA.		
FED. ROAD DIST. NO. 4		ILLINOIS FED. AID PROJECT		



GENERAL NOTES

1. The frame and grate shown on this drawing are for use with all TYPE G-1 and TYPE G-1, SPECIAL DRAINAGE STRUCTURES. See plans for grate type and flow direction.
2. Flow direction: As viewed from street side.
3. Material: cast gray iron.

DATE	REVISIONS	BY
1-1-97	RENUM. B-10.01, NEW REVISION BOX	T.P.

All dimensions are in millimeters (inches) unless otherwise noted.

ILLINOIS DEPARTMENT OF TRANSPORTATION
DISTRICT CADD STANDARD
FRAME AND GRATES FOR
TYPE G-1 AND TYPE G-1, SPECIAL
DRAINAGE STRUCTURES
CADD STANDARD 604001-D4
SCALE NOT TO SCALE
DATE 6/DATE

DRAWN BY CADD
CHECKED BY

3. These castings are included in the cost of the drainage structures as per District Special Provision.
4. This drawing based upon "NEEMH" designs as follows:
Inlet Frame: R-3246-A, Curb Box: R-3290
Reversible Diagonal Grate: R-3246-A
Vane Grates: R-3246-AL (Flow left)
R-3246-AL (Flow right)

\$\$\$DATE\$\$\$

DGN-ONLY