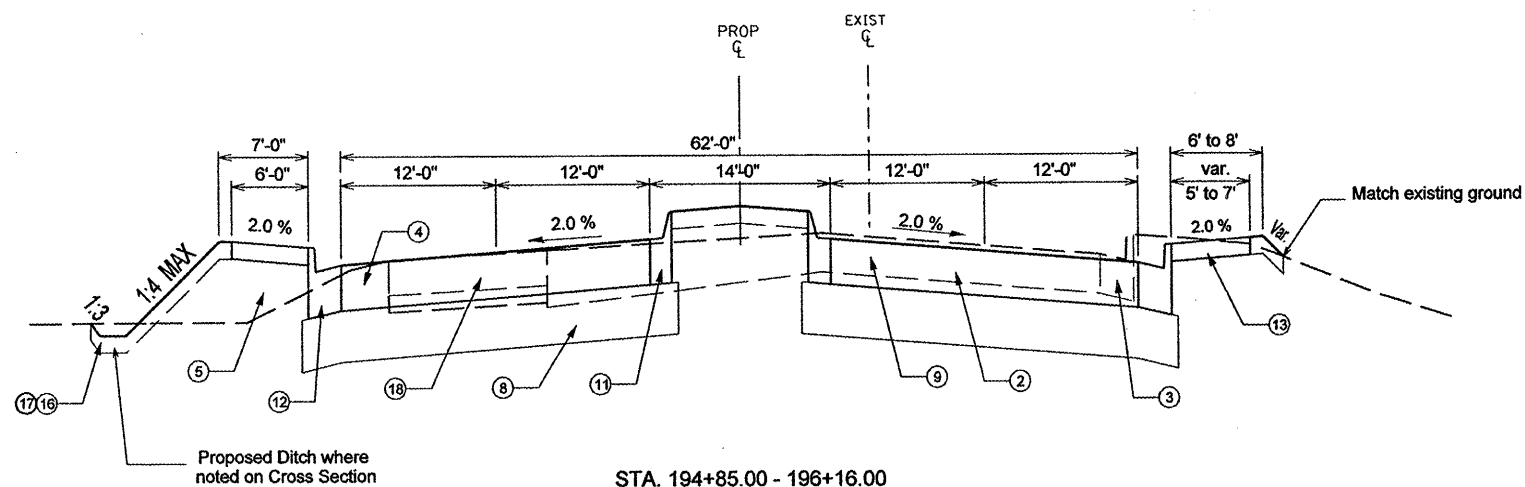
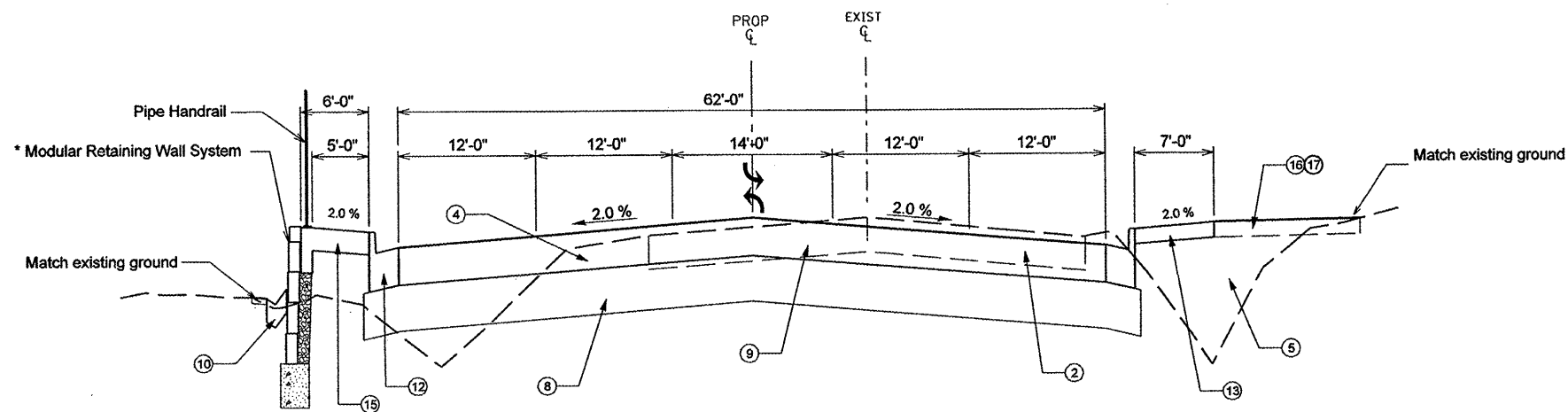


STA. 194+60.00 - 194+85.00
 STA. 196+16.00 - 196+36.52
 STA. 201+30.54 - 201+45.36



STA. 194+85.00 - 196+16.00



STA. 196+36.52 - 197+11.34

Note: Modular Retaining Wall from Lt. Sta. 196+36.52 to 197+93.46

LEGEND:

- ① HOT-MIX ASPHALT SURFACE REMOVAL - VARIABLE DEPTH
- ② PAVEMENT REMOVAL
- ③ COMBINATION CURB AND GUTTER REMOVAL
- ④ EXCAVATION
- ⑤ EMBANKMENT
- ⑥ EXISTING HOT-MIX ASPHALT SHOULDERS
- ⑦ POLYMERIZED HOT-MIX ASPHALT SURFACE COURSE, MIX "E", N50, 1½"
- ⑧ SUB-BASE GRANULAR MATERIAL, TYPE A 12"
- ⑨ PORTLAND CEMENT CONCRETE PAVEMENT 10" (JOINTED)
- ⑩ CONCRETE GUTTER, TYPE B
- ⑪ COMBINATION CONCRETE CURB AND GUTTER, TYPE B-6.12
- ⑫ COMBINATION CONCRETE CURB AND GUTTER, TYPE B-6.24
- ⑬ PORTLAND CEMENT CONCRETE SIDEWALK 4"
- ⑭ PORTLAND CEMENT CONCRETE SIDEWALK 4", SPECIAL
- ⑮ PORTLAND CEMENT CONCRETE SIDEWALK 6", SPECIAL
- ⑯ TOPSOIL FURNISH & PLACE, 4"
- ⑰ SODDING SALT TOLERANT OR SEEDING, CLASS 2A
- ⑱ TEMPORARY PAVEMENT
- ⑲ AGGREGATE SHOULDER, TYPE B (WEDGE)

FILE NAME =	USER NAME = #USER#	DESIGNED -	REVISED -	STATE OF ILLINOIS DEPARTMENT OF TRANSPORTATION	ILLINOIS ROUTE 8 PROPOSED TYPICAL SECTIONS			F.A.U. RTE.	SECTION	COUNTY	TOTAL SHEETS	SHEET NO.
#FILE#		DRAWN -	REVISED -		SCALE:	SHEET NO. OF SHEETS	STA. TO STA.	6775	04-00141-00-FP	TAZEWELL	187	16
	PLOT SCALE = #SCALE#	CHECKED -	REVISED -					CONTRACT NO. 89352				
	PLOT DATE = #DATE#	DATE -	REVISED -					ILLINOIS FED. AID PROJECT				