

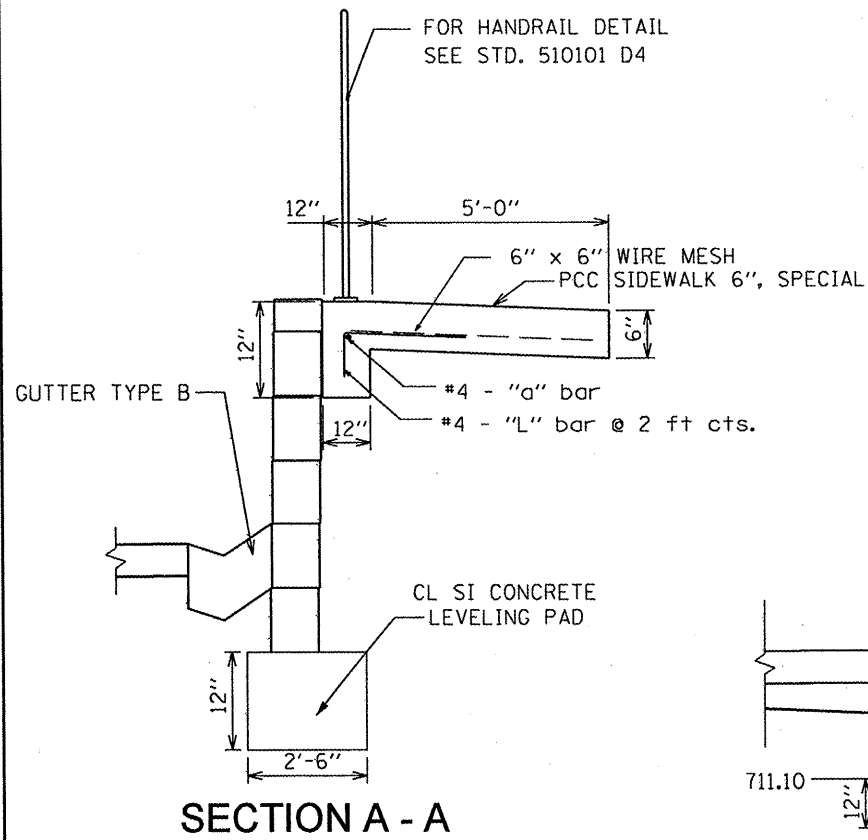
WALL ①

BILL OF MATERIALS

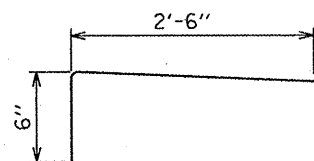
ITEM	UNIT	QUANTITY
PRECAST MODULAR BLOCK WALL	SQ FT	146.0
PCC SIDEWALK 6", SPECIAL	SQ FT	213.72
PIPE HANDRAIL	FOOT	33.6

Bar	No.	Size	Length	Shape
L	19	#4	3'-0"	┌
a	1	#4	35'-3"	—
Reinforcement Bars			POUNDS	62

• For Information Only



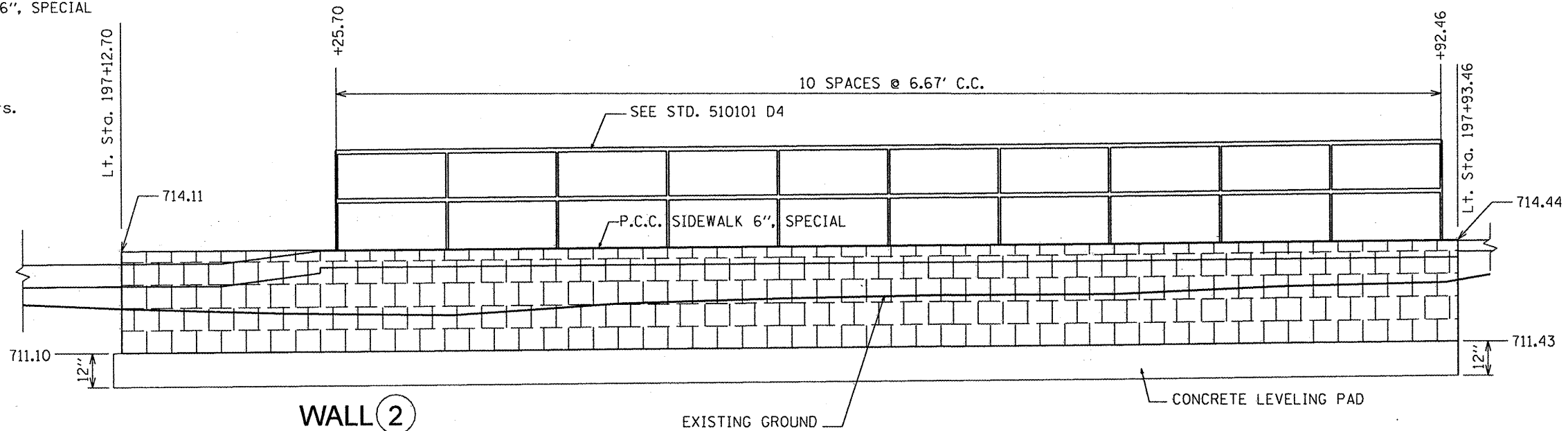
SECTION A - A



"L" - bar

NOTE:

See D4 Standard 660101 for pipe underdrain and behind the wall treatment



WALL ②

BILL OF MATERIALS

ITEM	UNIT	QUANTITY
PRECAST MODULAR BLOCK WALL	SQ FT	243.0
PCC SIDEWALK 6", SPECIAL	SQ FT	412.56
PIPE HANDRAIL	FOOT	66.70

Bar	No.	Size	Length	Shape
L	35	#4	3'-0"	┌
a		#4	68'-5"	—
Reinforcement Bars			POUNDS	116

• For Information Only

FILE NAME =	USER NAME = #USER#	DESIGNED -	REVISED -
*FILEL#		DRAWN -	REVISED -
	PLOT SCALE = #SCALE#	CHECKED -	REVISED -
	PLOT DATE = #DATE#	DATE -	REVISED -

**STATE OF ILLINOIS
DEPARTMENT OF TRANSPORTATION**

**PRECAST MODULAR BLOCK WALL DETAIL
& PIPE HANDRAIL DETAIL**

SCALE: SHEET NO. 1 OF 2 SHEETS STA. TO STA.

F.A.U. RTE.	SECTION	COUNTY	TOTAL SHEETS	SHEET NO.
6775	04-00141-00-FP	TAZEWELL	187	95
CONTRACT NO. 89352			ILLINOIS FED. AID PROJECT	