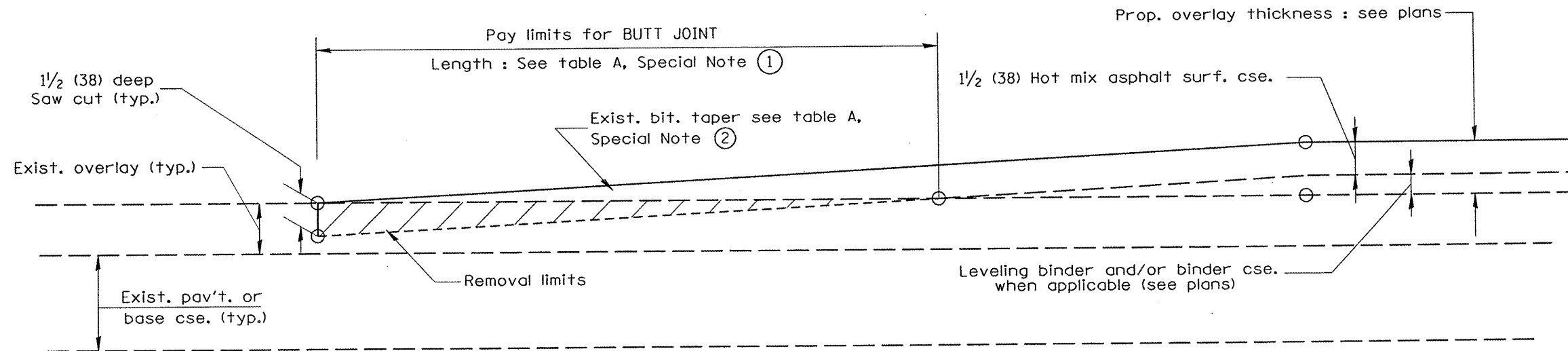
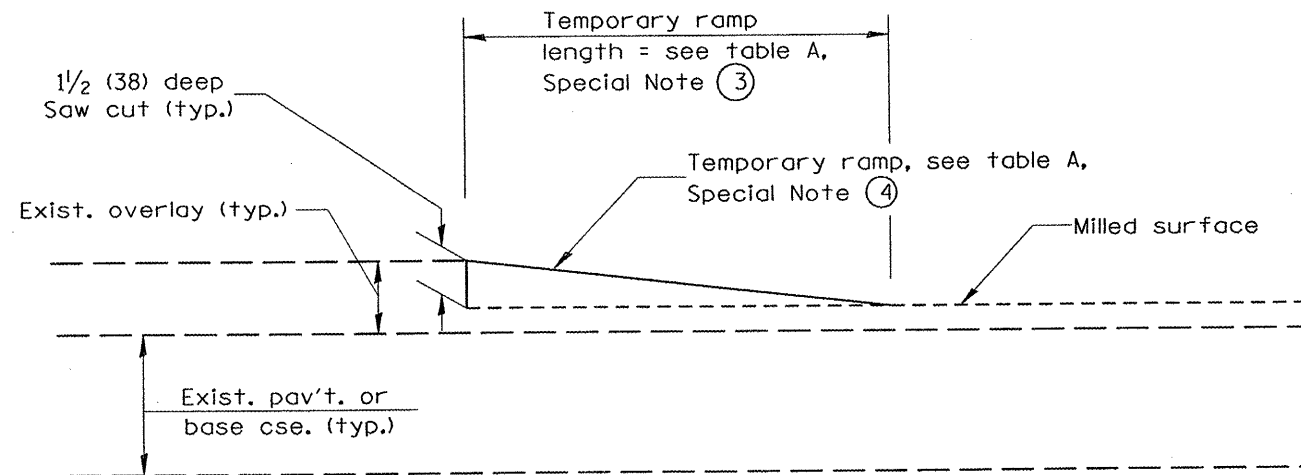


**CASE 3 : WITH HOT MIX ASPHALT SURFACE REMOVAL (COLD MILLING)
TIE-IN TO EXISTING BITUMINOUS TAPER**



**CASE 4 : NO HOT MIX ASPHALT SURFACE REMOVAL (COLD MILLING)
TIE-IN TO EXISTING BITUMINOUS TAPER**



DETAIL TEMPORARY RAMP

All dimensions are in inches (millimeters) unless otherwise noted.

FILE NAME *	PLOT SCALE = *SCALE*	DESIGNED - RAW	REVISED -
	PLOT DATE = *DATE*	DRAWN - RAW	REVISED -
	PLOT TIME = *TIME*	CHECKED - RJA	REVISED -
		DATE -	REVISED -



SPECIAL DETAILS BUTT JOINTS		F.A.U. RTE.	SECTION	COUNTY	TOTAL SHEETS	SHEET NO.
NO SCALE		6775	04-00141-00-FP	TAZEWELL	187	104
CADD STD 406101-04		SHEET 2 OF 3		CONTRACT NO. 89352		
		FED. ROAD DIST. NO. ILLINOIS FED. AID PROJECT				