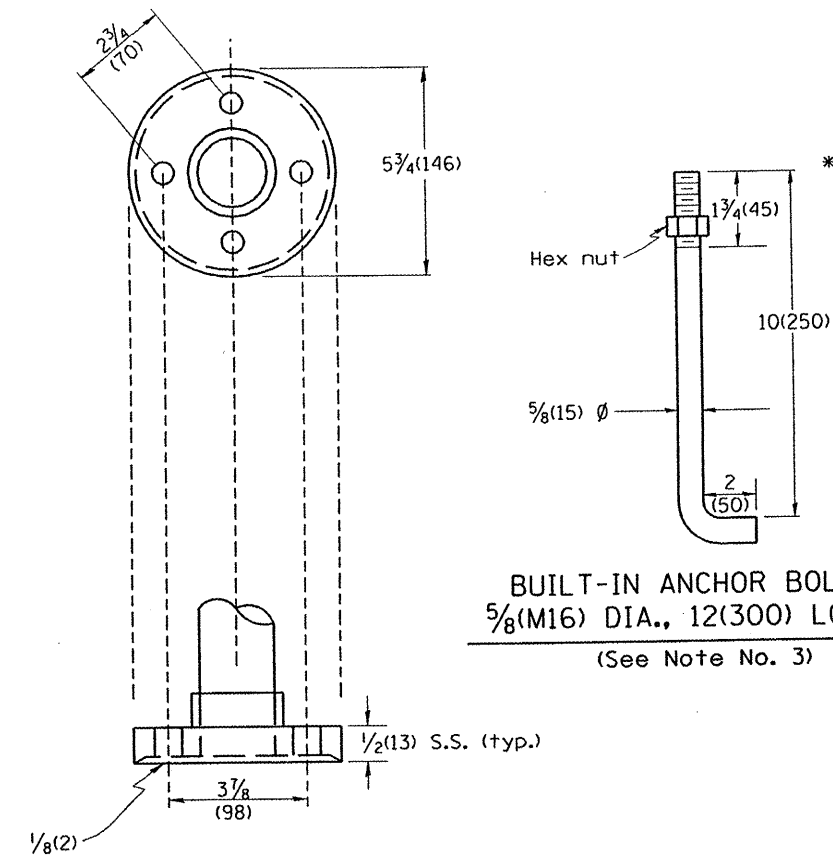
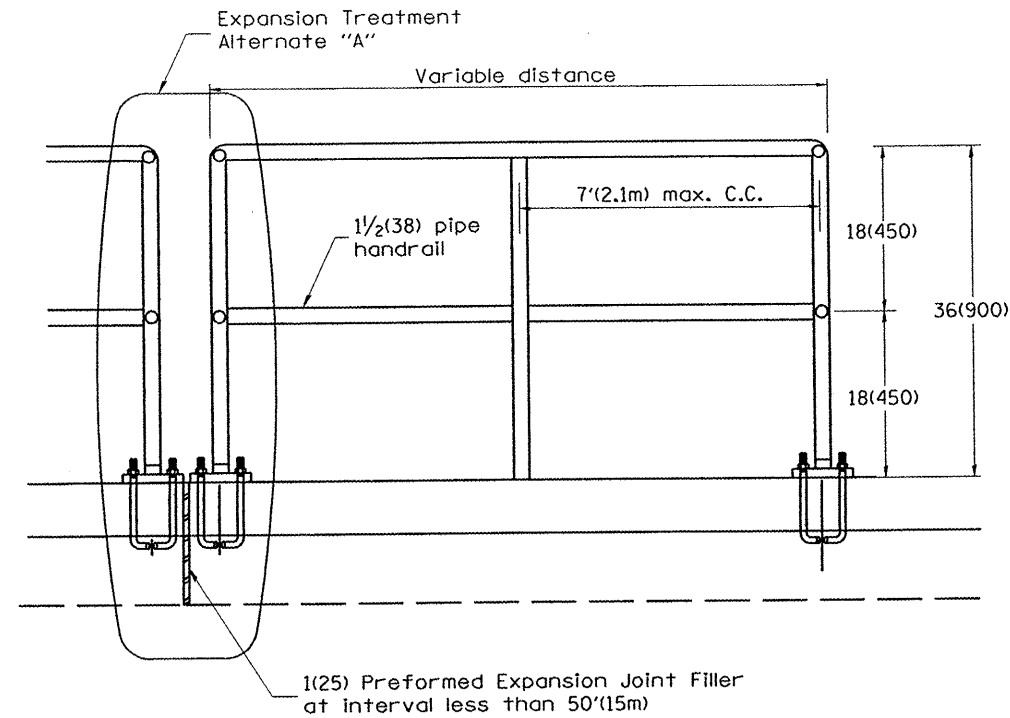


INSTALLATION AT  
MODULAR RETAINING WALL

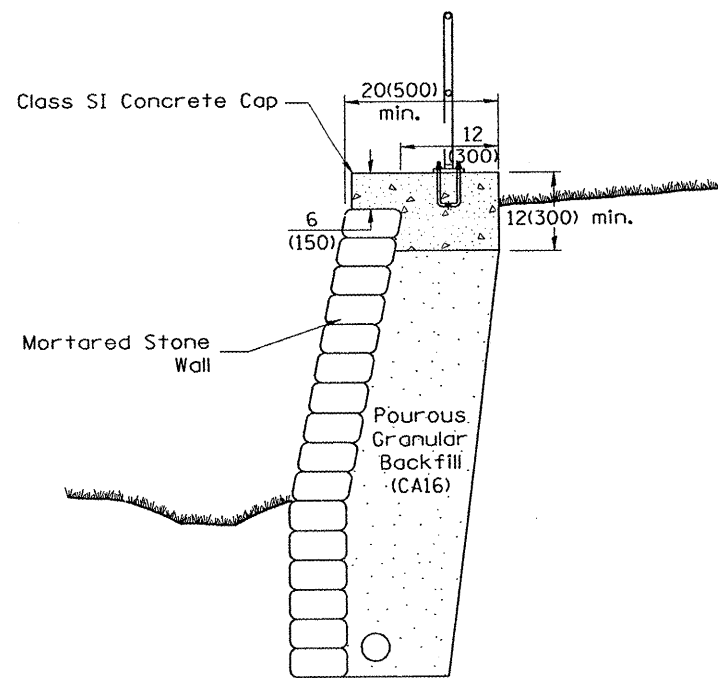


BUILT-IN ANCHOR BOLT  
5/8(M16) DIA., 12(300) LONG  
(See Note No. 3)

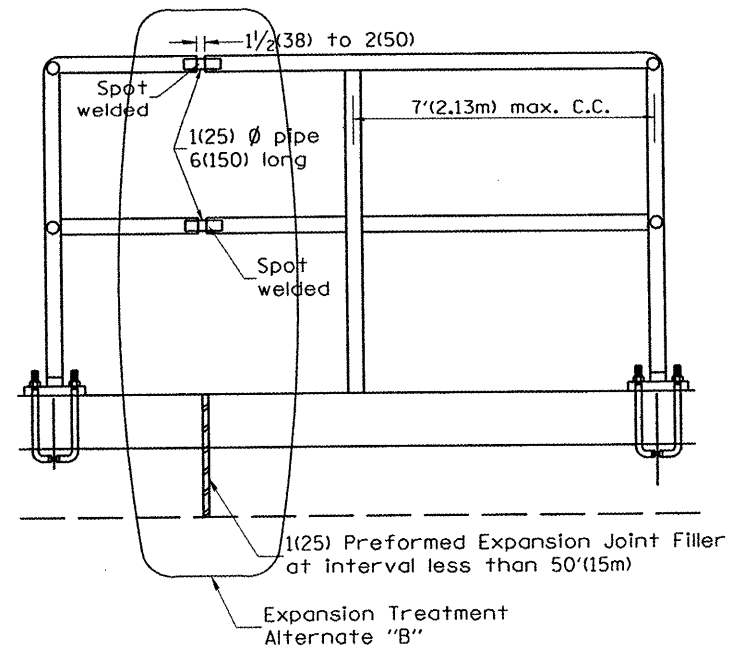
CAST IRON OR STRUCTURAL  
STEEL FITTING

GENERAL NOTES

- Article 509.04 of the Standard Specifications shall apply.
- Connection of railing to posts shall be made by continuous welding or with using standard pipe fitting.
- An equivalent epoxy anchor stud can be used in place of anchor shown. Anchor bolt holes shall be 5(125) deep x 3/4(20) Ø to be pre-drilled with an electric hammer drill to a depth of 1(25) prior to use of a pneumatic drill for the remaining 4(100). A two component encapsulated epoxy such as "Parabond" or an equivalent shall be used. Installation shall be according to Manufacturer's recommendations.
- The pipe handrail shall be galvanized by the hot dip process.
- It is Contractor's option to choose the expansion treatment "A" or "B". The spot welded area shall be painted to the satisfaction of the Engineer. This work shall be included in the contract unit price for Pipe Handrail.



INSTALLATION AT  
MORTARED STONE WALL



PIPE HANDRAIL

All dimensions are in inches (millimeters) unless otherwise noted.

FILE NAME =	PLOT SCALE = #SCALE#	DESIGNED - RAW	REVISED -
	PLOT DATE = #DATE#	DRAWN - RAW	REVISED -
	PLOT TIME = #TIME#	CHECKED - RJA	REVISED -
		DATE -	REVISED -



SPECIAL DETAILS  
DETAIL OF PIPE HANDRAIL FOR MORTARED STONE WALL AND  
MODULAR RETAINING WALL

NO SCALE CADD STD 510101-04

F.A.U. RTE.	SECTION	COUNTY	TOTAL SHEETS	SHEET NO.
6775	04-00141-00-FP	TAZEWELL	187	118
FED. ROAD DIST. NO. ILLINOIS FED. AID PROJECT			CONTRACT NO. 89352	