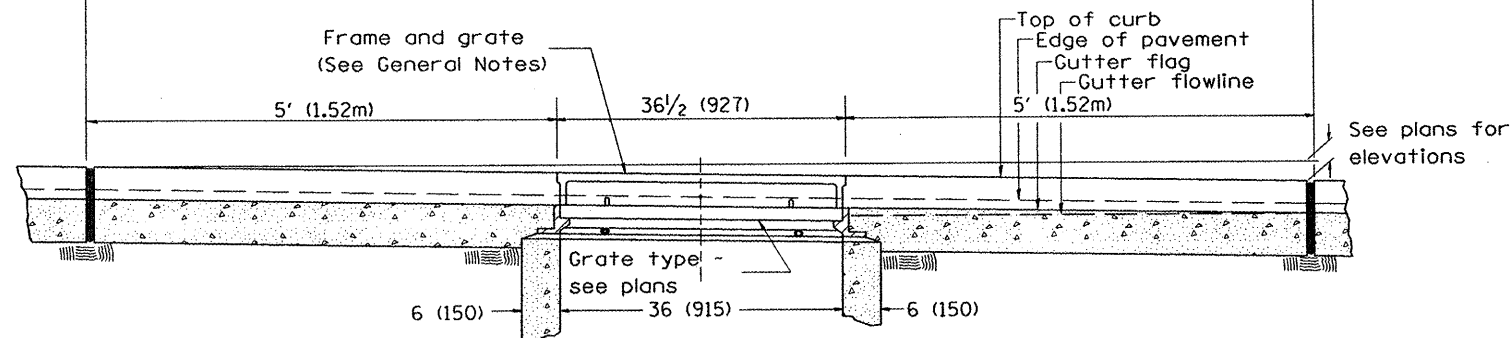
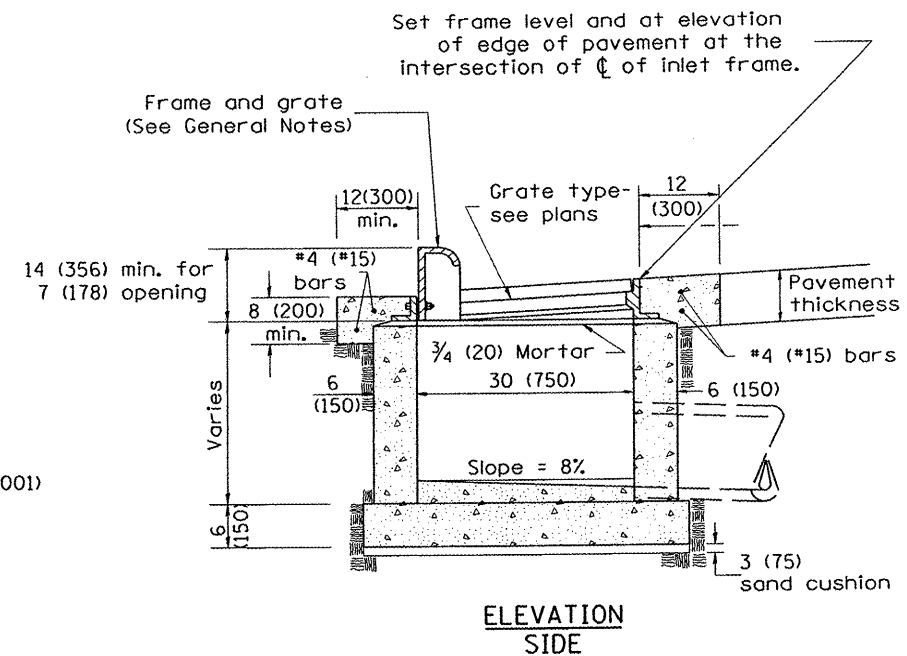


PLAN



ELEVATION FRONT

GENERAL NOTES

1. Inlet construction shall be in accordance with Section 602 of the Standard Specifications.
2. Combination Concrete Curb & Gutter shall be constructed in accordance with Section 606 of the Standard Specifications.
3. See District CADD Standard 604001-D4 for frame and grates.

All dimensions are in inches (millimeters) unless otherwise noted.

| | | | |
|-------------|----------------------|----------------|-----------|
| FILE NAME = | PLOT SCALE = #SCALE# | DESIGNED - RAW | REVISED - |
| | PLOT DATE = #DATE# | DRAWN - RAW | REVISED - |
| | PLOT TIME = #TIME# | CHECKED - RJA | REVISED - |
| | | DATE - | REVISED - |



| | |
|------------------|--------------------|
| SPECIAL DETAILS | |
| INLETS, TYPE G-1 | |
| NO SCALE | CADD STD 602001-D4 |

| F.A.U. RTE. | SECTION | COUNTY | TOTAL SHEETS | SHEET NO. |
|---|----------------|----------|--------------------|-----------|
| 6775 | D4-00141-00-FP | TAZEWELL | 187 | 119 |
| FED. ROAD DIST. NO. ILLINOIS FED. AID PROJECT | | | CONTRACT NO. 89352 | |