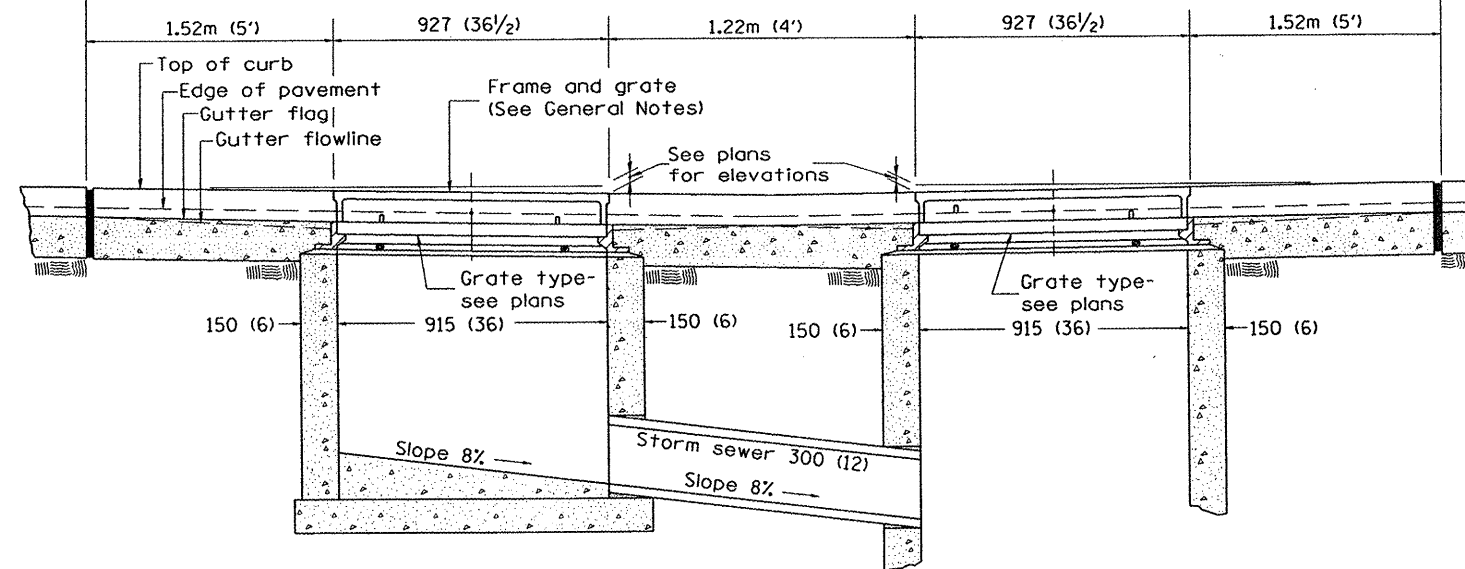
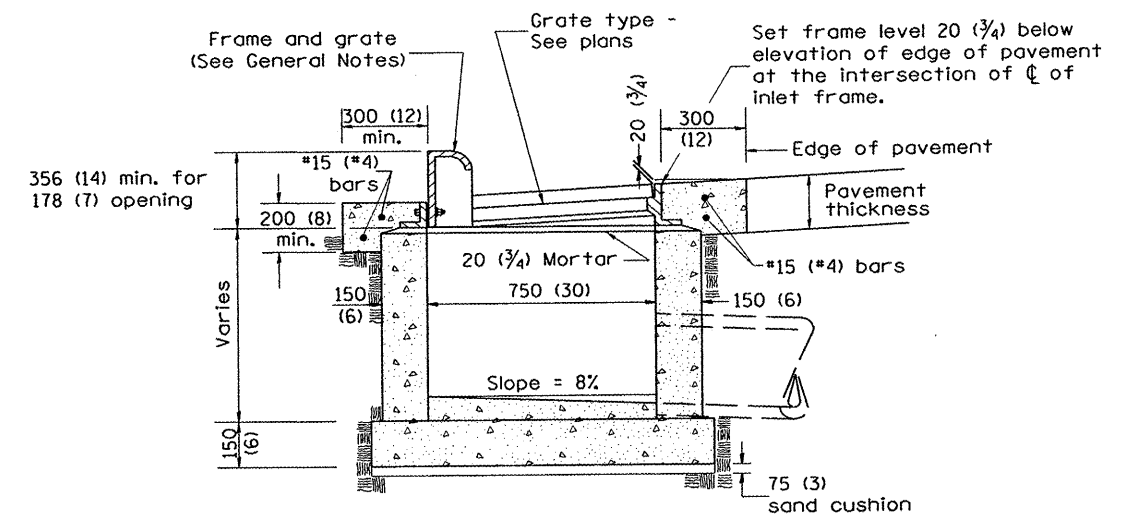


PLAN



FRONT ELEVATION



ELEVATION (SIDE)

GENERAL NOTES

1. Inlet construction shall be in accordance with Section 602 of the Standard Specifications.
2. Combination Concrete Curb & Gutter shall be constructed in accordance with Section 606 of the Standard Specifications.
3. See District CADD Standard 604001-D4 for frame and grates.

All dimensions are in millimeters (inches) unless otherwise noted.

FILE NAME =	PLOT SCALE = #SCALE#	DESIGNED - RAW	REVISED -	<b>MAURER &amp; STUTZ, INC.</b> ENGINEERS SURVEYORS	<b>SPECIAL DETAILS</b> <b>INLETS, TYPE G-1, DOUBLE, SPECIAL</b>	F.A.U. RTE.	SECTION	COUNTY	TOTAL SHEETS	SHEET NO.	
	PLOT DATE = #DATE#	DRAWN - RAW	REVISED -			6775	04-00141-00-FP	TAZEWELL	187	122	
	PLOT TIME = #TIME#	CHECKED - RJA	REVISED -			CONTRACT NO. 89352					
#FILE#	DATE	REVISED -				FED. ROAD DIST. NO.	ILLINOIS FED. AID PROJECT				
					NO SCALE	CADD STD 602016-D4					