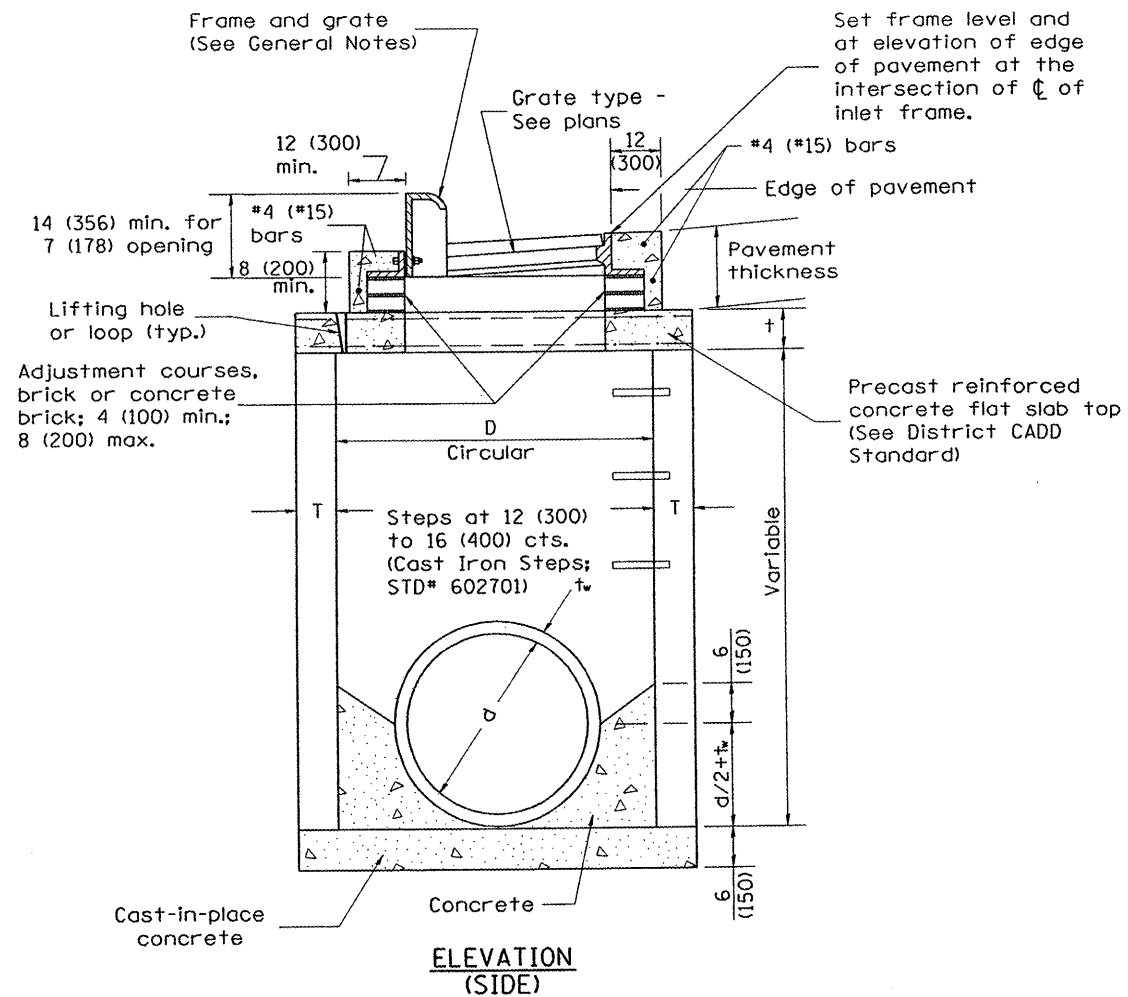
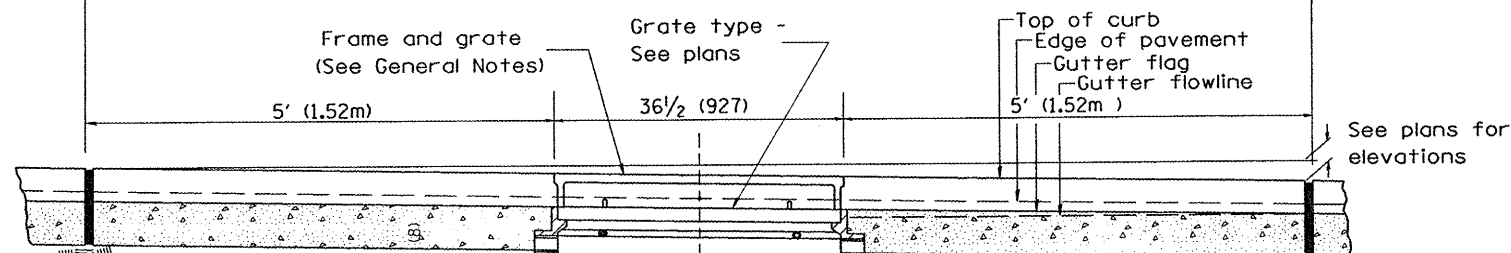


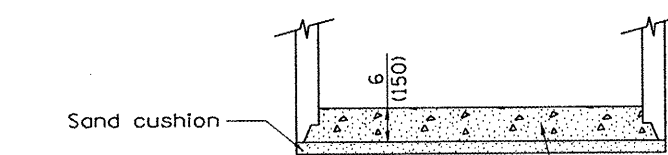
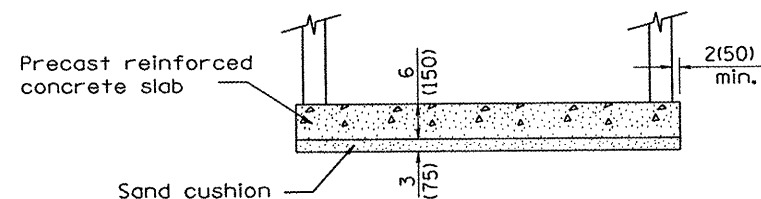
PLAN



ELEVATION (SIDE)



ELEVATION (FRONT)



ALTERNATE BOTTOM SLAB

TABLE

D	T	t
4' (1.2m)	5 (125)	6 (150)
5' (1.5m)	6 (150)	8 (200)
6' (1.8m)	7 3/4 (195)	8 (200)
8' (2.4m)	9 (225)	10 (250)

GENERAL NOTES

1. Inlet-manhole construction shall be in accordance with Section 602 of the Standard Specifications.
2. Combination concrete curb and gutter shall be constructed in accordance with Section 606 of the Standard Specifications.
3. See District CADD Standard 604001-D4 for frame and grates.
4. See District CADD Standard for precast reinforced concrete flat slab top.

All dimensions are in inches (millimeters) unless otherwise noted.