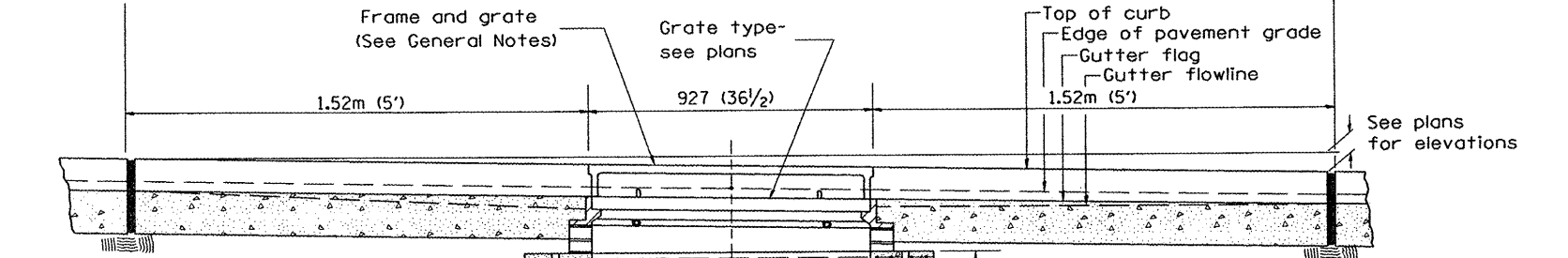
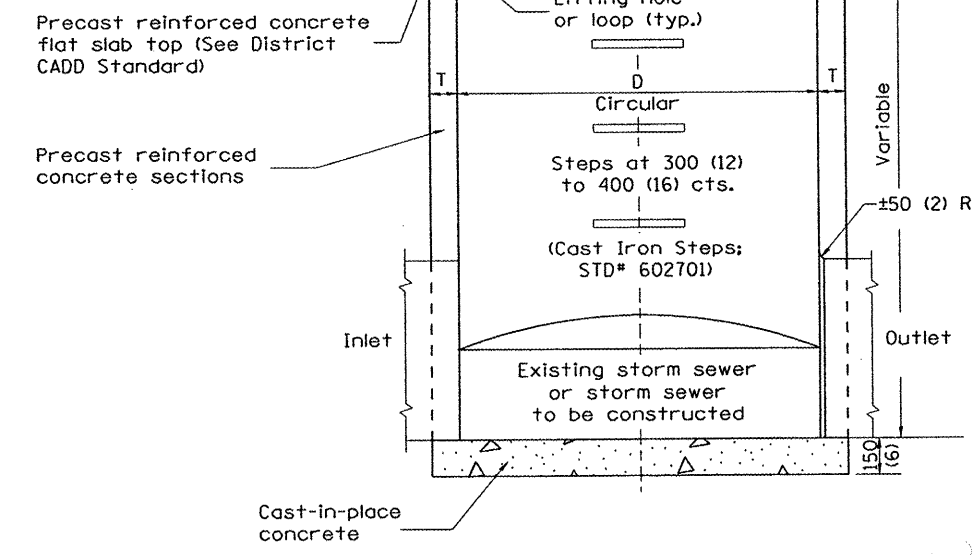


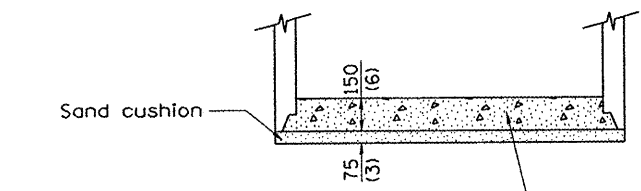
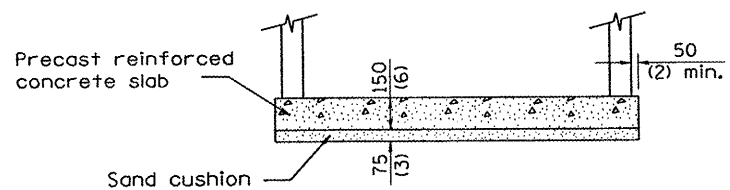
PLAN



ELEVATION (SIDE)

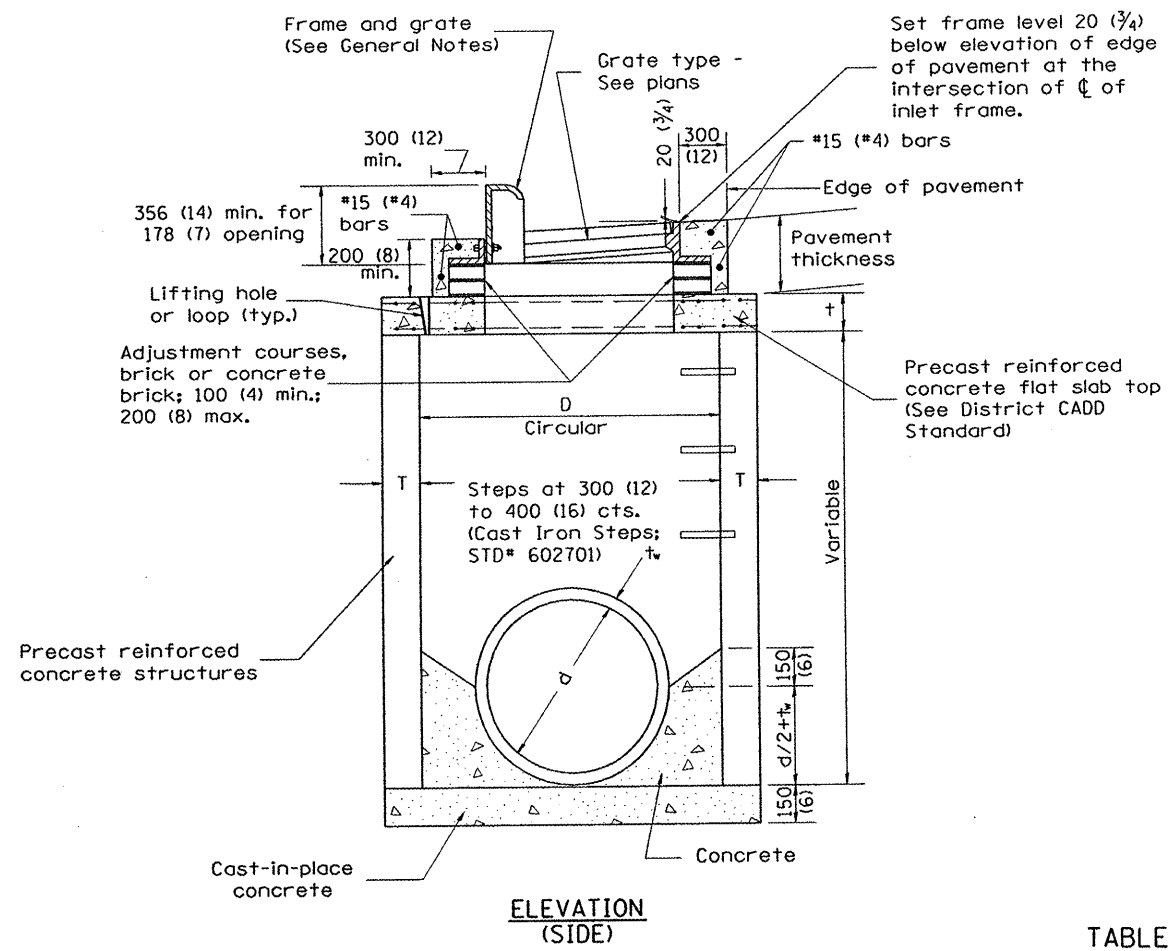


ELEVATION (FRONT)



Prefabricated concrete slab, when the precast reinforced concrete section alternate is used.

ALTERNATE BOTTOM SLAB



ELEVATION (SIDE)

TABLE

D	T	t
1.2m (4')	125 (5)	150 (6)
1.5m (5')	150 (6)	200 (8)
1.8m (6')	195 (7 3/4)	200 (8)
2.4m (8')	225 (9)	250 (10)

GENERAL NOTES

1. Inlet-manhole construction shall be in accordance with Section 602 of the Standard Specifications.
2. Combination concrete curb and gutter shall be constructed in accordance with Section 606 of the Standard Specifications.
3. See District CADD Standard 604001-D4 for frame and grates.
4. See District CADD Standard for precast reinforced concrete flat slab top.

All dimensions are in millimeters (inches) unless otherwise noted.



FILE NAME :	PLOT SCALE = #SCALE#	DESIGNED - RAW	REVISED -
	PLOT DATE = #DATE#	DRAWN - RAW	REVISED -
	PLOT TIME = #TIME#	CHECKED - RJA	REVISED -
		DATE -	REVISED -

DESIGNED - RAW	REVISED -
DRAWN - RAW	REVISED -
CHECKED - RJA	REVISED -
DATE -	REVISED -

SPECIAL DETAILS	
INLET-MANHOLE, TYPE G-1, SPECIAL	
NO SCALE	CADD STD 602026-D4

F.A.U. RTE.	SECTION	COUNTY	TOTAL SHEETS	SHEET NO.
6775	04-00141-00-FP	TAZEWELL	187	124
CONTRACT NO. 89352			FED. ROAD DIST. NO. ILLINOIS FED. AID PROJECT	