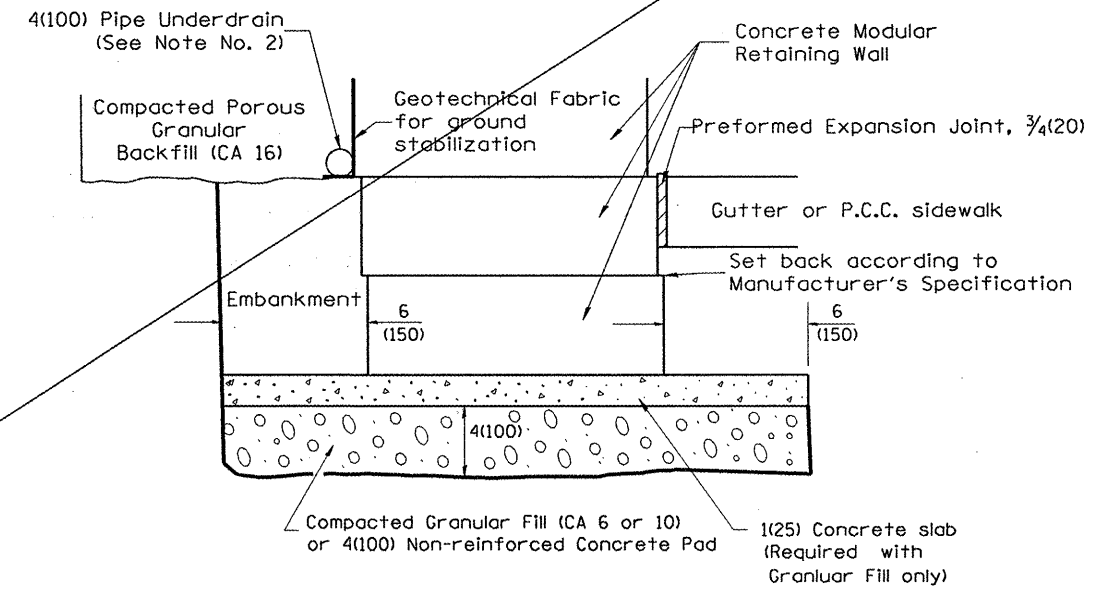


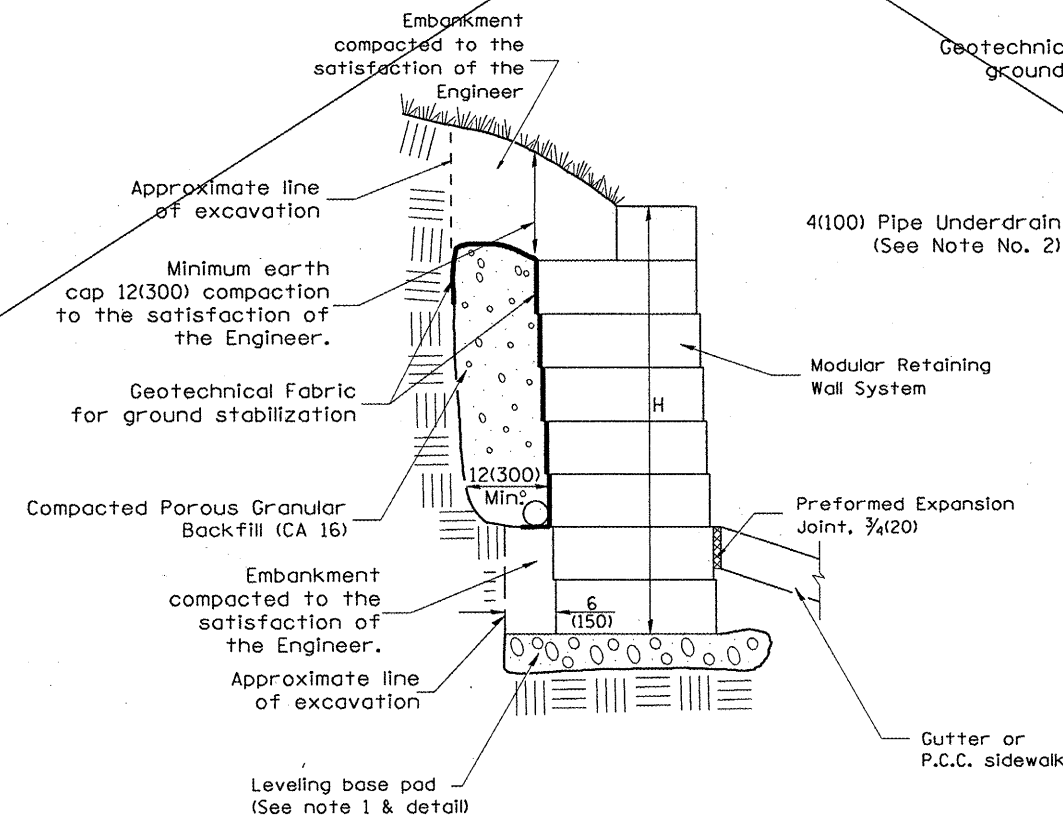
INSTALLATION OF COURSES IN RUNNING BOND



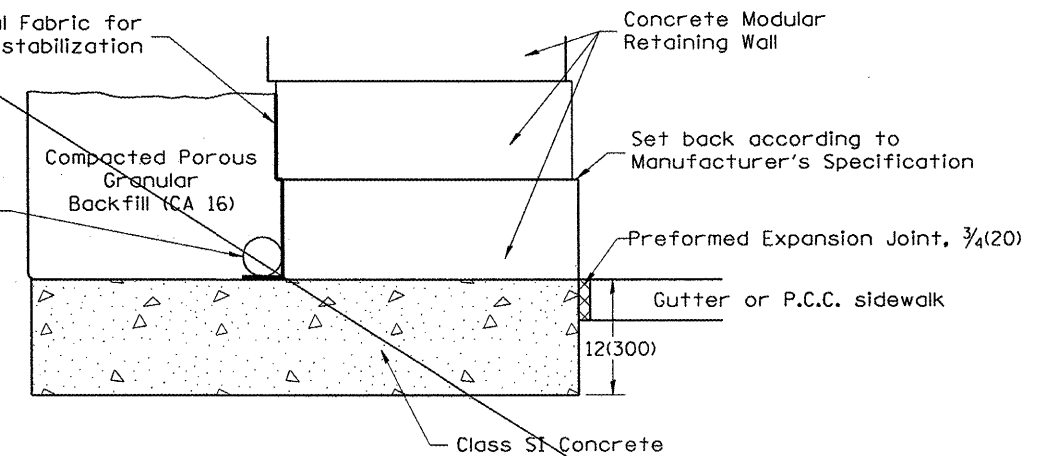
LEVELING BASE PAD DETAIL

NOTES:

1. At the Contractor's option the portion of the stone wall below top of sidewalk elevation may be constructed with class SI concrete. The width shall match the width of the modular block plus the 12(300) maximum trench.
2. 4(100) Pipe Underdrains shall outlet into inlets or storm sewer.
3. Pipe drains and pipe underdrains shall meet the requirements of the applicable portions of section 601 of the Standard Specifications.
4. Preformed expansion joint filler shall be placed between the gutter or sidewalk and the wall.
5. The geotechnical fabric shall meet the requirements of the applicable portions of Sections 210 and 1080 of the Standard Specifications.



LEVELING BASE PAD CONCRETE ALTERNATE
(See Note 1)



All dimensions are in inches (millimeters) unless otherwise noted.

FILE NAME *	PLOT SCALE = #SCALE#	DESIGNED - RAW	REVISED -
	PLOT DATE = #DATE#	DRAWN - RAW	REVISED -
#FILE#	PLOT TIME = #TIME#	CHECKED - RJA	REVISED -
		DATE -	REVISED -



SPECIAL DETAILS	
MODULAR RETAINING WALL SYSTEM DETAIL	
NO SCALE	CADD STD 660101-D4

F.A.U. RTE.	SECTION	COUNTY	TOTAL SHEETS	SHEET NO.
6775	D4-00141-00-FP	TAZEWELL	187	128
FED. ROAD DIST. NO. ILLINOIS FED. AID PROJECT			CONTRACT NO. 89352	