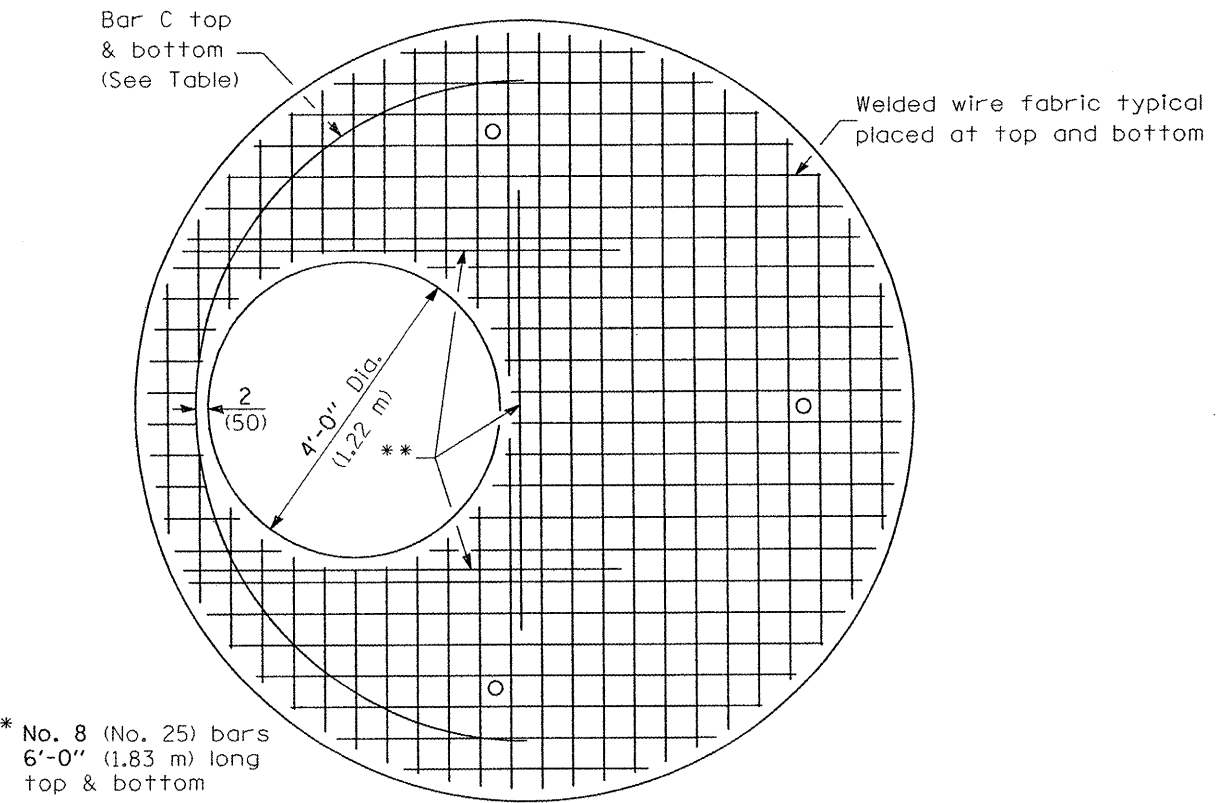


\* No. 8 (No. 25) bars top & bottom

**PLAN**

Showing Rebar Reinforcement



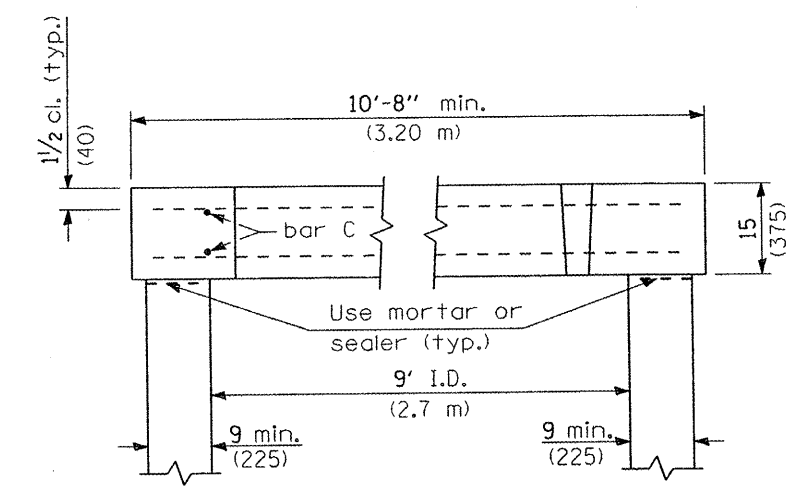
\*\* No. 8 (No. 25) bars 6'-0" (1.83 m) long top & bottom

**PLAN**

Showing Welded Wire Fabric Reinforcement

Diameter of opening	Reinforcement Bar Size	Reinforcement "As" WWF each direction	No. 4 (No. 13) Bar C	
			Length	Radius
4'-0" (1.2 m)	Bottom mat No. 8 (No. 25)	Bottom mat *** 1.57 sq. in./ft. (3325 sq. m/mm)	14'-2" (4.30 m)	4'-6" (1.372 m)
	Top mat No. 5 (No. 13)	Top mat *** 0.30 sq. in./ft. (510 sq. m/mm)		

\*\*\* A maximum of two layers of welded wire fabric may be used to satisfy the required "As" for each mat.



**SECTION B-B**