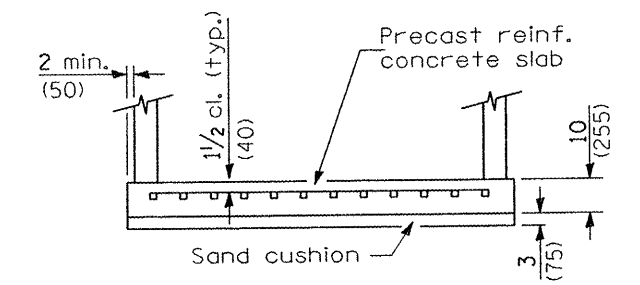
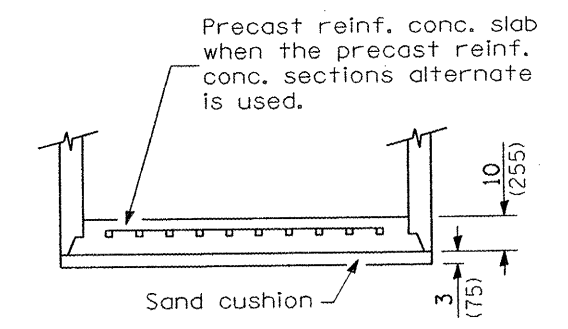
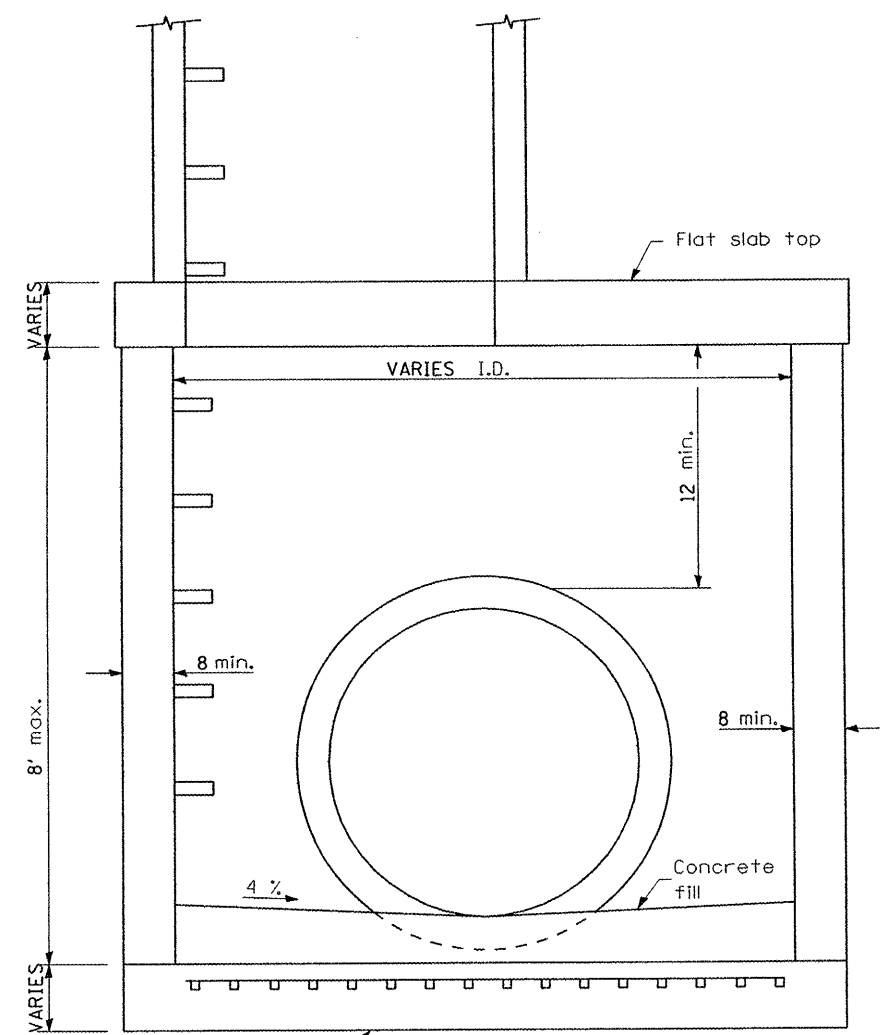


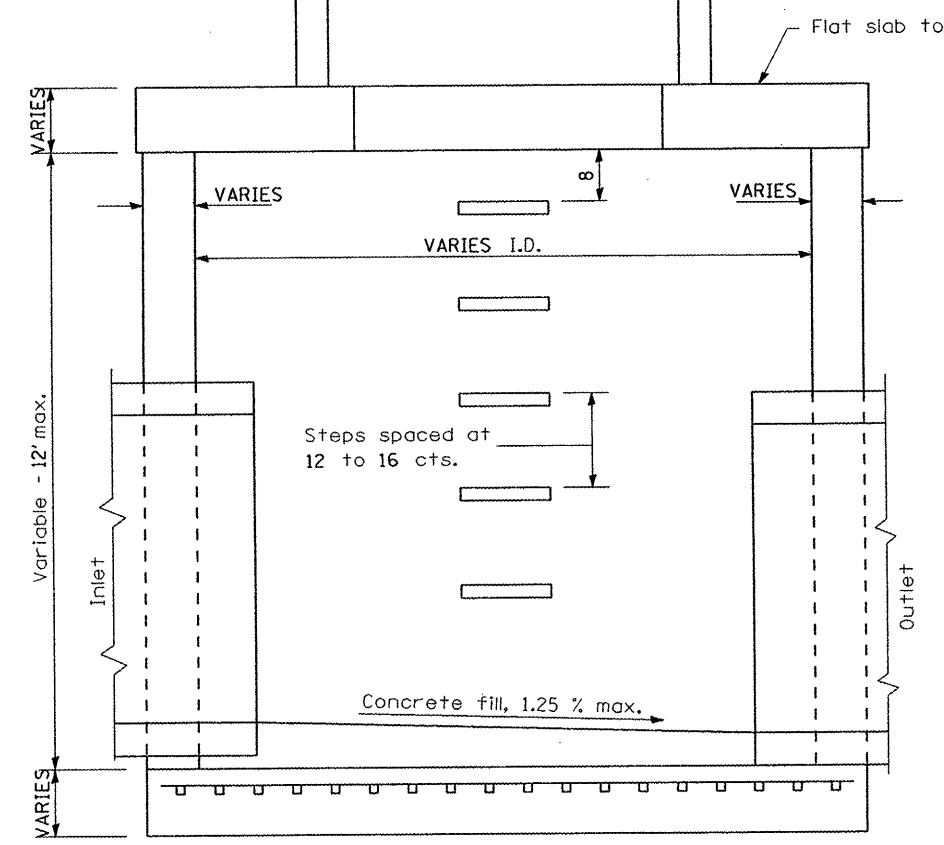
ALTERNATE JOINT CONFIGURATIONS



ALTERNATE BOTTOM SLABS



ELEVATION



ELEVATION

GENERAL NOTES

1. Inlet-manhole construction shall be in accordance with Section 602 of the Standard Specifications.
2. Combination concrete curb and gutter shall be constructed in accordance with Section 606 of the Standard Specifications.
3. See District CADD Standard 604001-D4 for frame and grates.
4. See District CADD Standard for precast reinforced concrete flat slab top.
5. Joint configuration and dimensions of flat slab top shall match and fit the riser joint detail.
6. Lifting devices shall be approved by the Engineer.
7. Bottom slabs shall be reinforced with a minimum of 0.655 sq. in./ft. in both directions.
8. See Standard 602701 for details of manhole steps.
9. See Precast Reinforced Concrete Flat Slab Top for Inlet-Manhole, Type G-1 and Type G-1, Special, CADD Std 602101-D4 for Flat Slab top.
10. See Manhole details and standards for dimensions marked "varies".

FILE NAME *	PLOT SCALE = #SCALE#	DESIGNED - RAW	REVISED -		SPECIAL DETAILS		F.A.U. RTE.	SECTION	COUNTY	TOTAL SHEETS	SHEET NO.
#FILEL#	PLOT DATE = #DATE#	DRAWN - RAW	REVISED -		INLET-MANHOLE, TYPE G-1, SPECIAL, DOUBLE		6775	04-00141-00-FP	TAZEWELL	187	135
	PLOT TIME = #TIME#	CHECKED - RJA	REVISED -		NO SCALE	SHEET 1 OF 2	FED. ROAD DIST. NO.	ILLINOIS	FED. AID PROJECT	CONTRACT NO. 89352	
		DATE -	REVISED -								