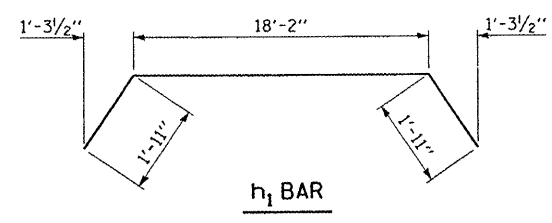
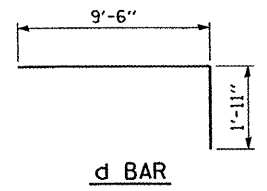
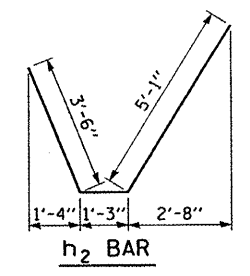
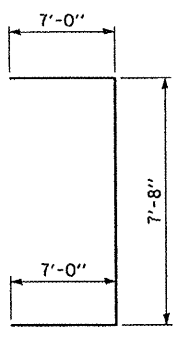
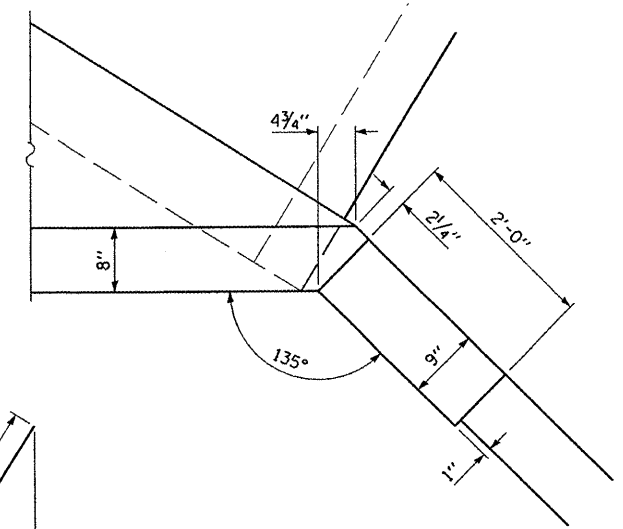
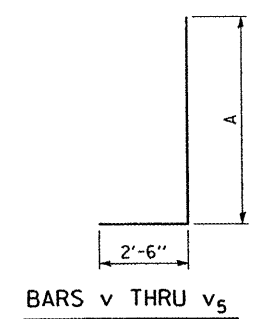


BAR	LENGTH
b	37'-1"
b ₁	35'-1"
b ₂	33'-1"
b ₃	31'-1"
b ₄	29'-1"
b ₅	27'-1"
b ₆	25'-1"
b ₇	23'-1"
b ₈	21'-1"
b ₉	19'-1"
h	10'-9"



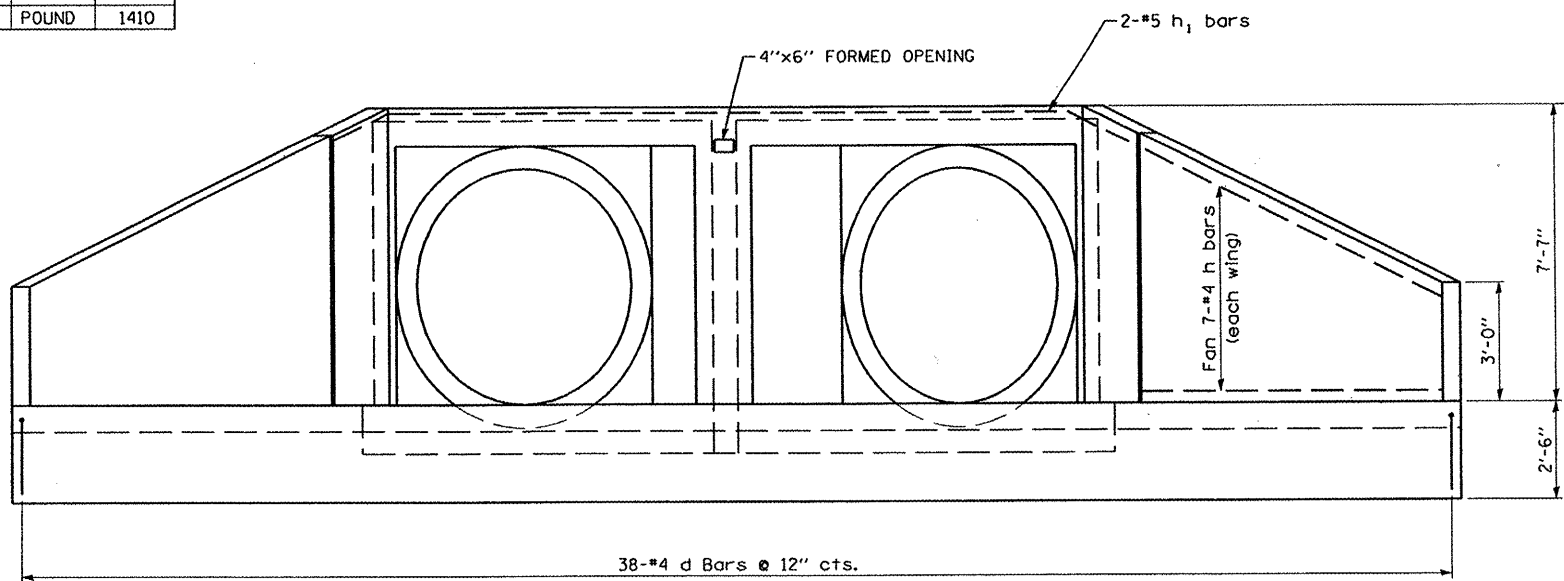
BAR	"A"
v	7'-3"
v ₁	6'-2"
v ₂	5'-6"
v ₃	4'-10"
v ₄	4'-1"
v ₅	3'-5"



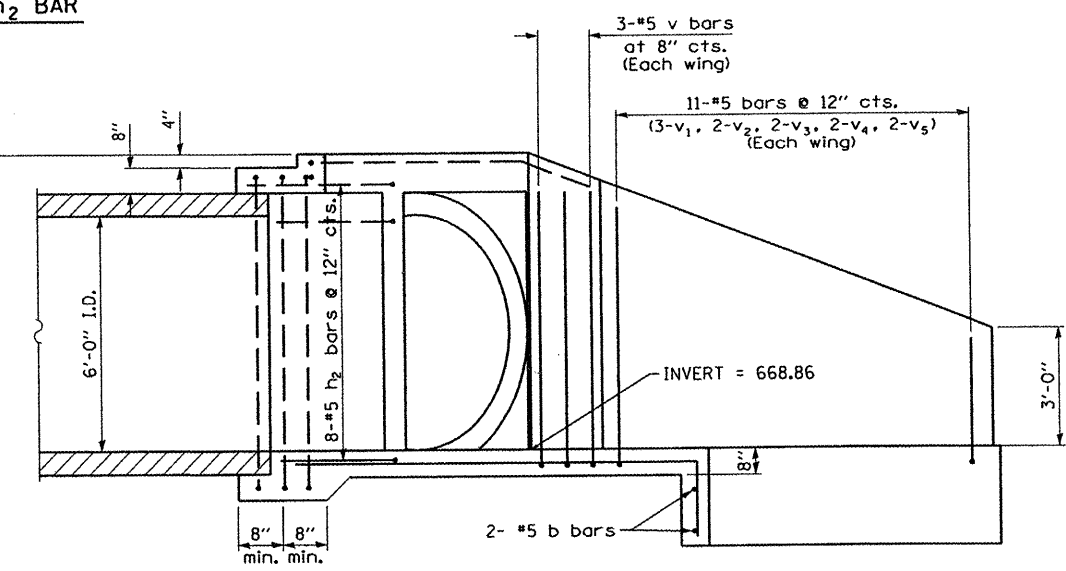
BILL OF MATERIALS

ITEM	UNIT	QUANTITY
CONCRETE HEADWALLS	CU. YD.	16.9
REINFORCEMENT BARS	POUND	1410

PLAN



END ELEVATION



SECTION A-A