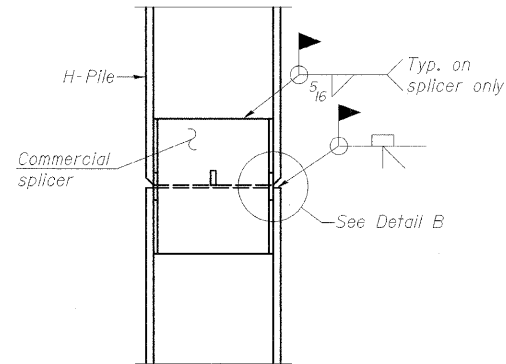
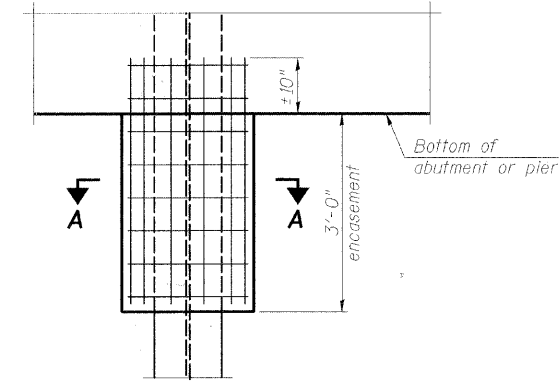


STEEL PILE TABLE

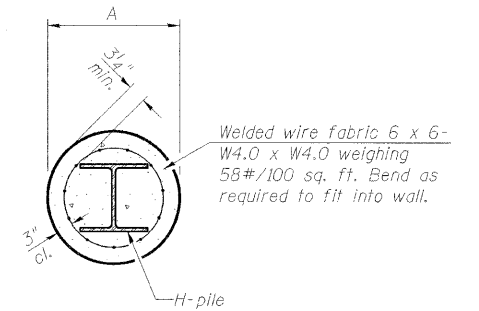
Designation	Depth d	Flange width bf	Web and Flange thickness t	Encasement diameter A
HP 14x117	14 1/4"	14 7/8"	1 1/16"	30"
x102	14"	14 3/4"	1/16"	30"
x89	13 7/8"	14 3/4"	5/8"	30"
x73	13 5/8"	14 5/8"	1/2"	30"
HP 12x84	12 1/4"	12 1/4"	1/16"	24"
x74	12 1/8"	12 1/4"	5/8"	24"
x63	12"	12 1/8"	1/2"	24"
x53	11 3/4"	12"	7/16"	24"
HP 10x57	10"	10 1/4"	9/16"	24"
x42	9 3/4"	10 1/8"	7/16"	24"
HP 8x36	8"	8 1/8"	7/16"	18"



ELEVATION



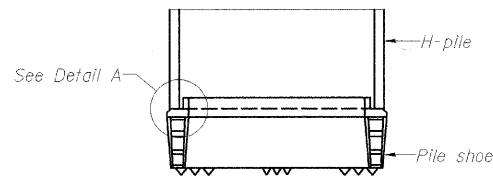
ELEVATION



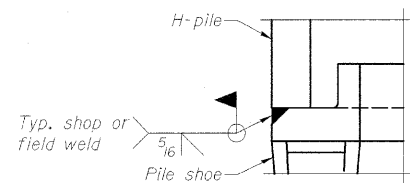
SECTION A-A

Note:
Forms for encasement may be omitted when soil conditions permit.

PILE ENCASEMENT

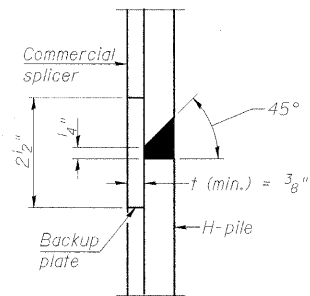


ELEVATION



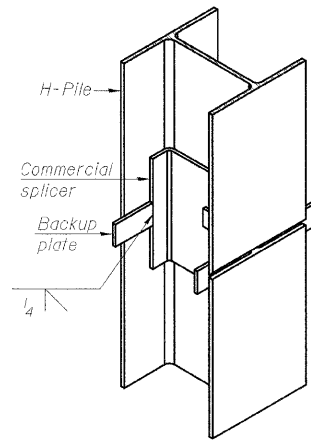
DETAIL A

H-PILE SHOE ATTACHMENT

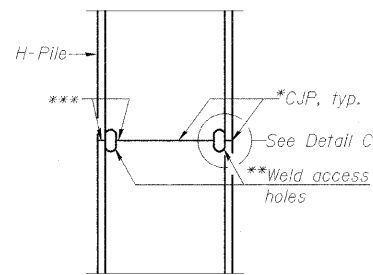


DETAIL "B"

WELDED COMMERCIAL SPLICE

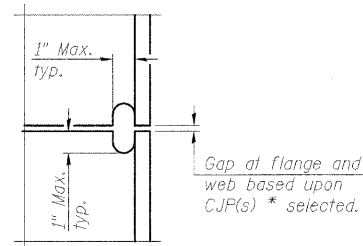


ISOMETRIC VIEW

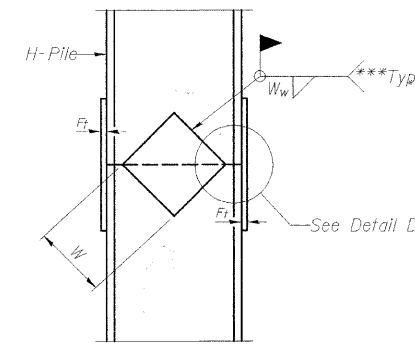


ELEVATION

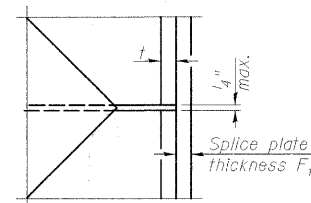
COMPLETE PENETRATION WELD SPLICE



DETAIL C

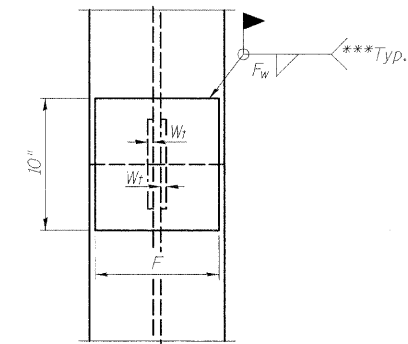


ELEVATION



DETAIL D

WELDED PLATE FIELD SPLICE



END VIEW

Designation	F	Ft	Fw	W	Wt	Ww
HP 14x117	12 1/2"	1"	7/8"	7 3/4"	5/8"	1/2"
x102	12 1/2"	7/8"	3/4"	7 3/4"	5/8"	1/2"
x89	12 1/2"	3/4"	1/16"	7 3/4"	5/8"	1/2"
x73	12 1/2"	5/8"	9/16"	7 3/4"	5/8"	1/2"
HP 12x84	10"	7/8"	1/16"	6 1/2"	5/8"	1/2"
x74	10"	7/8"	1/16"	6 1/2"	5/8"	1/2"
x63	10"	5/8"	1/2"	6 1/2"	1/2"	3/8"
x53	10"	5/8"	1/2"	6 1/2"	1/2"	3/8"
HP 10x57	8"	3/4"	9/16"	5 1/4"	1/2"	3/8"
x42	8"	5/8"	9/16"	5 1/4"	1/2"	3/8"
HP 8x36	7"	5/8"	7/16"	4 1/4"	1/2"	3/8"

**H PILE DETAILS
ELMORE ROAD BRIDGE
OVER FRENCH CREEK**

Note:
The steel H-piles shall be according to AASHTO M270 Grade 50.

- * Use joint conforming to Figure 3.4 in AWS D1.1, Structure Welding Code - Steel.
- ** Preparation per Fig. 5.2 in AWS D1.1, Structure Welding Code - Steel.
- *** Interrupt welds 1/4" from end of each pile.

DESIGNED	PJL
CHECKED	LLV
DRAWN	MGM
CHECKED	PJL

AECOM

111 NE Jefferson Ave.
Peoria, Illinois 61602
Ph: 309.676.8464
Fax: 309.676.5445
IL Design Firm Reg.
No. 184-001518
www.aecom.com

HWY	SECTION	COUNTY	TOTAL SHEETS	SHEET NO.
R-15	08-00092-00-BR	PEORIA	32	21
STRUCTURE NO. 072-3147			STATION 7+27	
FED. ROAD DIST. NO. ILLINOIS FED. AID PROJECT BROS-0143(049)				