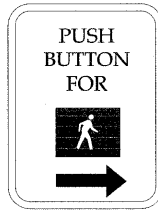
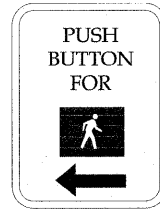


NOTE:
 ** DENOTES SIGNS TO BE PROVIDED BY THE CITY OF PEORIA, AND SIGNS WILL MEET MUTCD, CITY OF PEORIA, AND IDOT STANDARDS. DETAILS ARE NOT PROVIDED. INFORMATION PROVIDED IS FOR VISUAL REPRESENTATION ONLY.



4 EACH REQUIRED



4 EACH REQUIRED

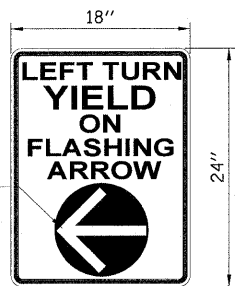
PEDESTRIAN PUSH BUTTON SIGN
 TYPE R10-4B (L OR R)

9" X 12"
PEDESTRIAN CROSSING
 SIGN DETAIL
 (NOT TO SCALE)

TYPE B SHEETING REQUIRED

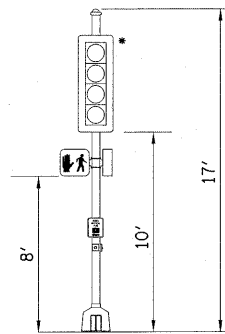
LEGEND-BLACK
 BACKGROUND-WHITE

STANDARD PEDESTRIAN PUSH
 BUTTONS SHALL BE SUPPLIED AND
 INSTALLED BY THE CONTRACTOR

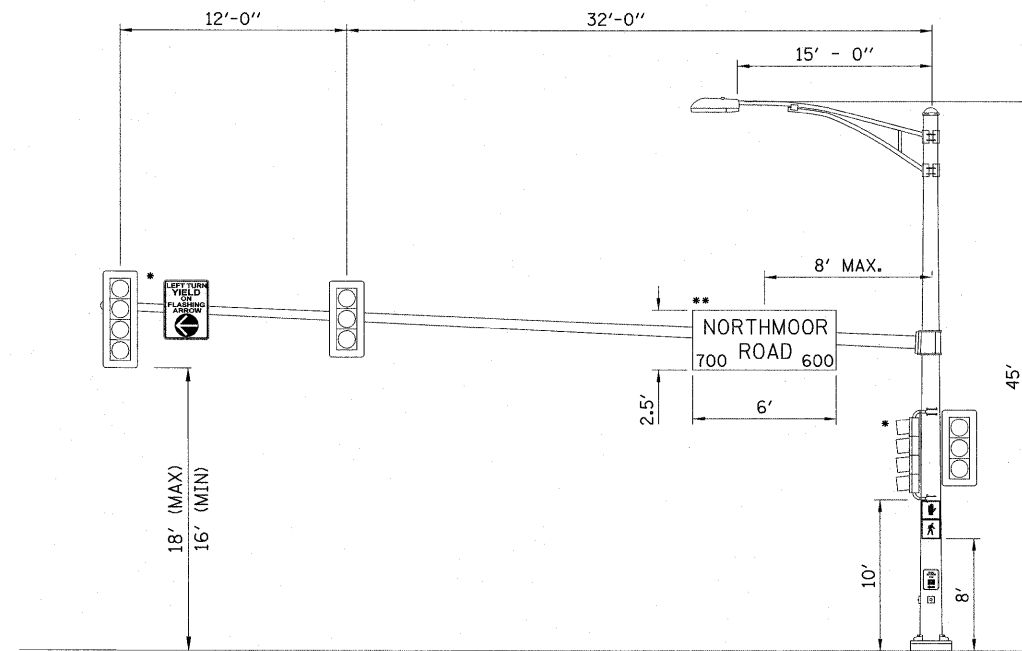


YELLOW ARROW
 ON BLACK
 BACKGROUND

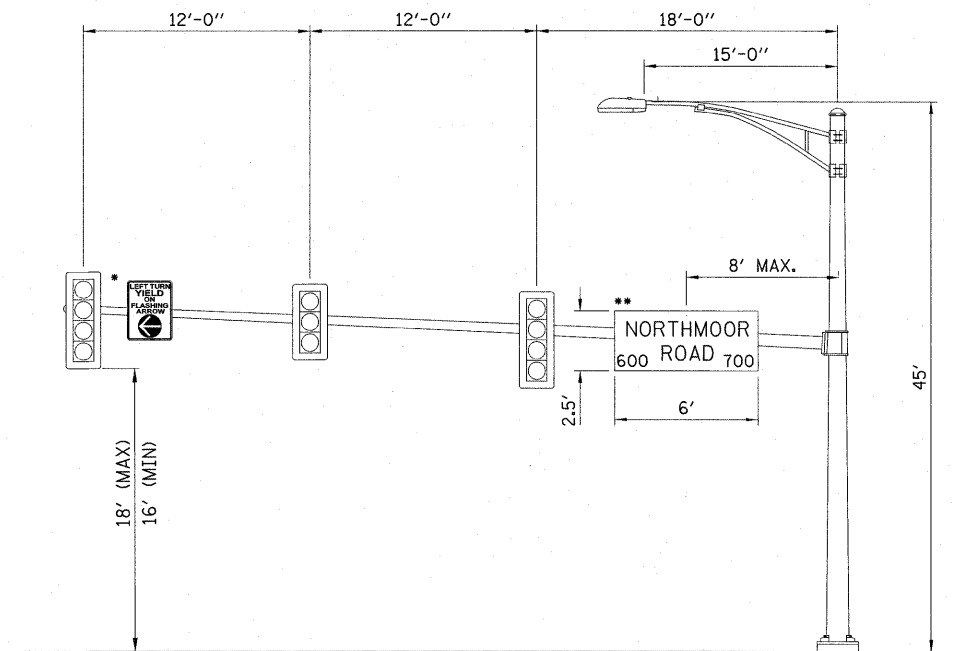
SIGN PANEL-TYPE 1 (SPECIAL)
 SIGN BACKGROUND: WHITE
 SIGN LETTERING: BLACK



NORTHMOOR RD. AND SHERIDAN RD.
 TRAFFIC SIGNAL POST
 NTS

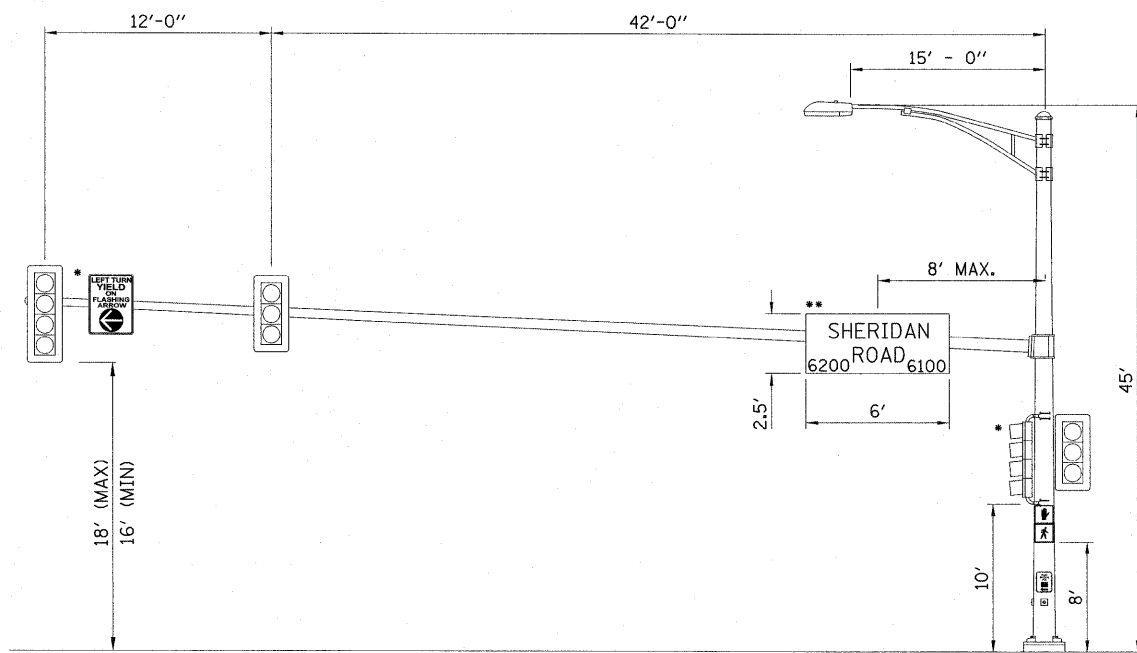


NORTHMOOR RD. AND SHERIDAN RD.
 NORTHBOUND SHERIDAN RD.
 NTS

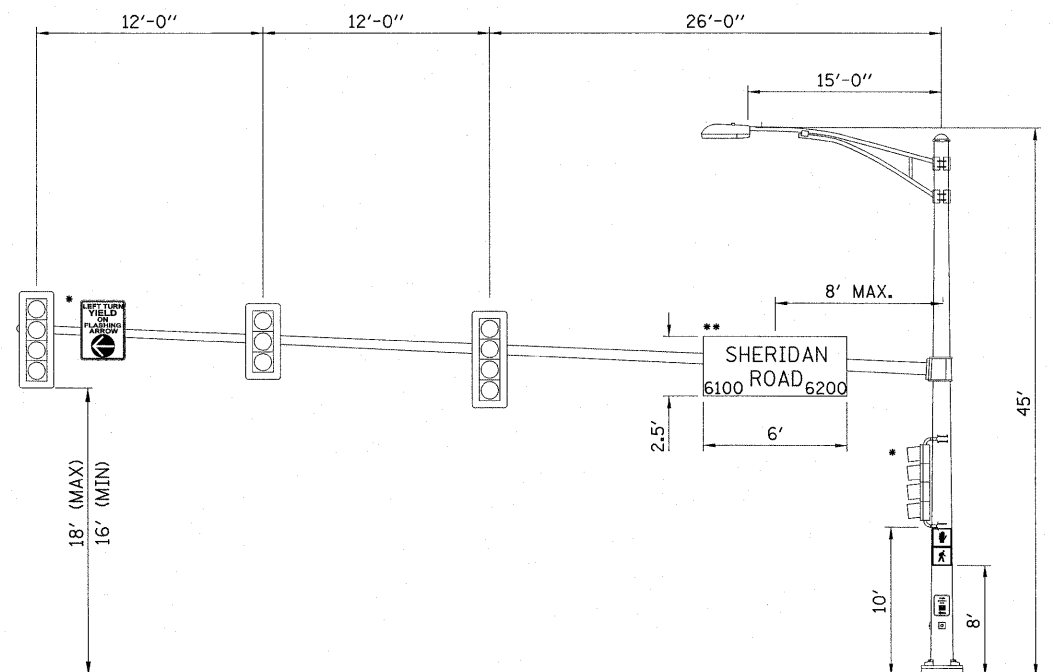


NORTHMOOR RD. AND SHERIDAN RD.
 SOUTHBOUND SHERIDAN RD.
 NTS

NOTE:
 * DENOTES FLASHING YELLOW ARROW SIGNAL HEAD.



NORTHMOOR RD. AND SHERIDAN RD.
 WESTBOUND NORTHMOOR RD.
 NTS



NORTHMOOR RD. AND SHERIDAN RD.
 EASTBOUND NORTHMOOR RD.
 NTS

FILE NAME = I:\09Jobs\09L0027\CADD\Road\Sheet\c-50	USER NAME = Ander-08846	DESIGNED - KNB	REVISED -	STATE OF ILLINOIS DEPARTMENT OF TRANSPORTATION	MAST ARM LOADING DIAGRAM			F.A. RTE.	SECTION	COUNTY	TOTAL SHEETS	SHEET NO.
		DRAWN - KNB	REVISED -					6647	08-00302-00-TL	PEORIA	102	61
		CHECKED - TMA	REVISED -					6595	09-00047-02-TL	CONTRACT NO. 89523		
		DATE - 03/19/10	REVISED -					FED. ROAD DIST. NO.	ILLINOIS FED. AID PROJECT	M-5093(138)		
				SCALE: N.T.S.	SHEET NO.	OF	SHEETS	STA.	TO	STA.		