

STATE OF ILLINOIS  
DEPARTMENT OF TRANSPORTATION

F.A.U. RTE.	SECTION	COUNTY	TOTAL SHEETS	SHEET NO.
6791	07-00401-25-BR	KNOX	18	7
STA. 44+90.00		TO STA. 47+77.20		
FED. ROAD DIST. NO.	ILLINOIS	FED. AID PROJECT		

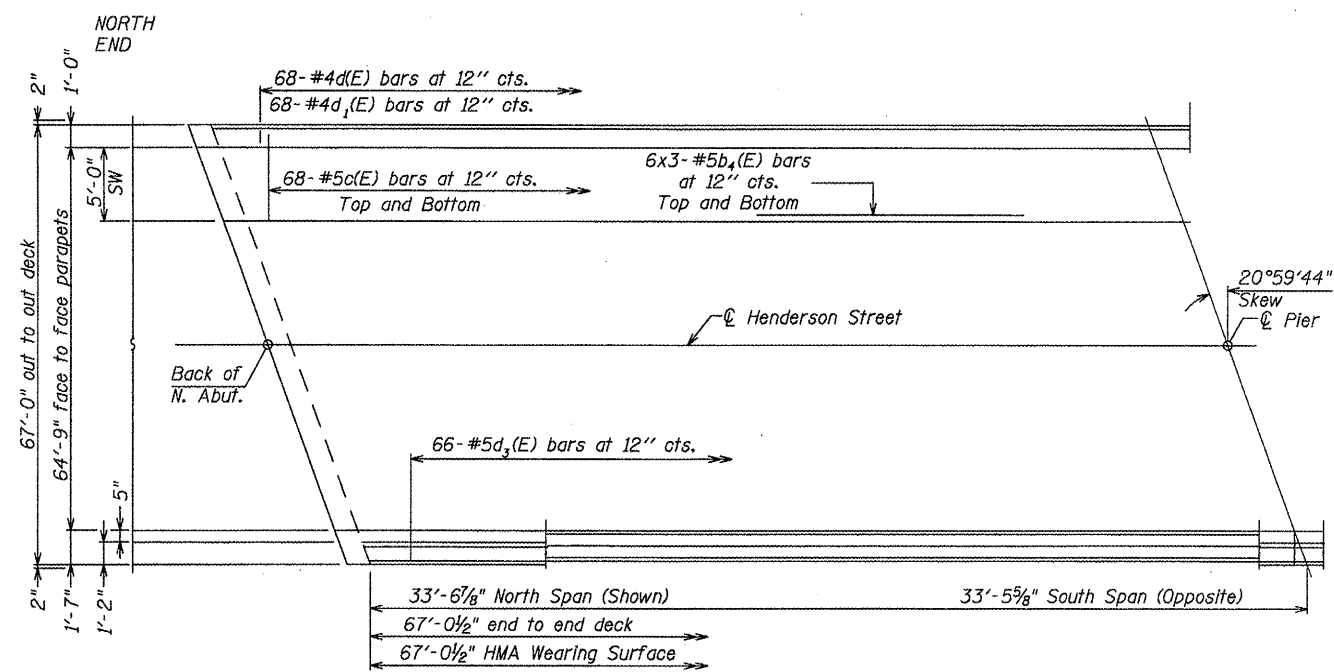
Bridge Sheet 3 of 14 Sheets BRM-5025(045)  
CONTRACT NO. 89557

BILL OF MATERIALS

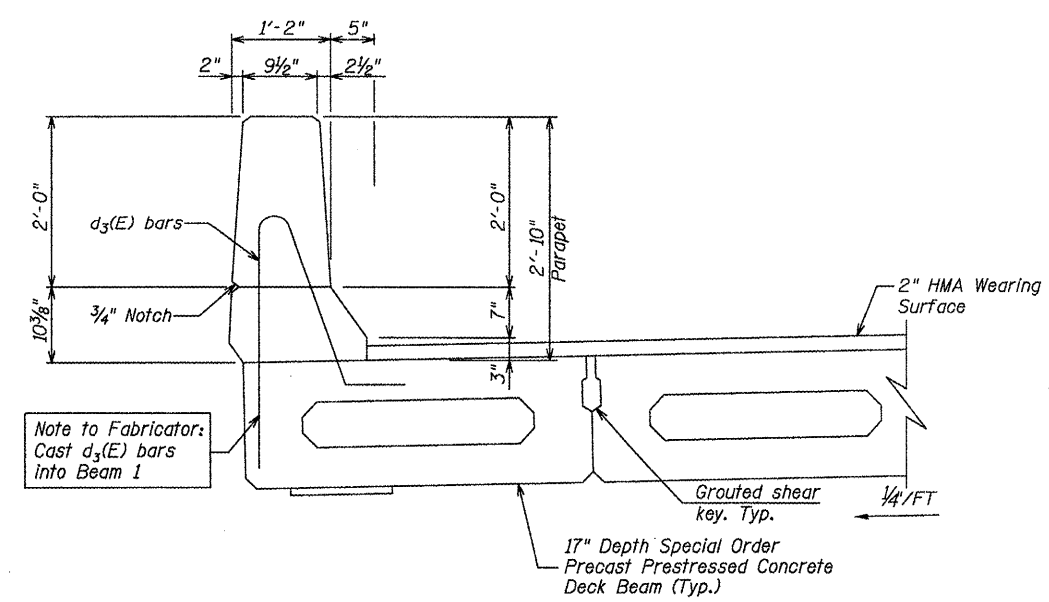
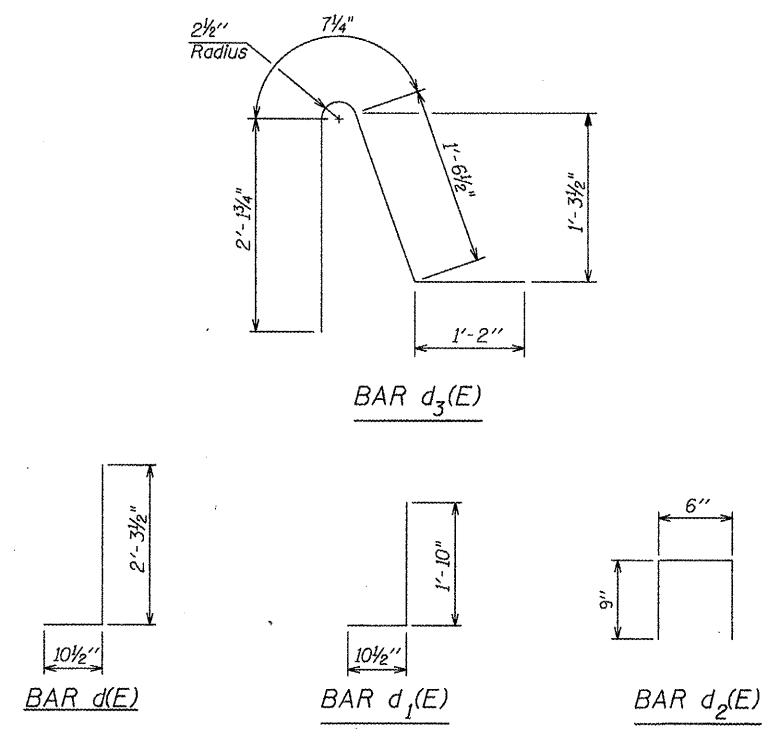
BAR	NO.	SIZE	LENGTH	SHAPE
b <sub>1</sub> (E)	12	5	14'-1"	—
b <sub>2</sub> (E)	12	5	12'-8"	—
b <sub>3</sub> (E)	16	4	6'-8"	—
b <sub>4</sub> (E)	36	5	24'-2"	—
c(E)	136	5	5'-8"	—
d(E)	68	4	3'-2"	—
d <sub>1</sub> (E)	68	4	2'-9"	—
d <sub>2</sub> (E)	40	4	2'-0"	—
d <sub>3</sub> (E)	66	5	5'-5½"	—
e(E)	14	4	12'-8"	—
e <sub>1</sub> (E)	14	4	14'-1"	—
e <sub>2</sub> (E)	2	8	12'-8"	—
e <sub>3</sub> (E)	2	8	14'-1"	—
e <sub>4</sub> (E)	2	4	12'-8"	—
e <sub>5</sub> (E)	2	4	14'-1"	—
e <sub>6</sub> (E)	16	4	6'-8"	—
e <sub>7</sub> (E)	2	8	6'-8"	—
e <sub>8</sub> (E)	2	4	6'-8"	—
v <sub>2</sub> (E)	28	4	4'-3"	—
v <sub>3</sub> (E)	28	4	4'-2"	—

Concrete Superstructure	CU YD	23.4
Reinforcement Bars, Epoxy Coated	POUND	3,520
Name Plates	EACH	1

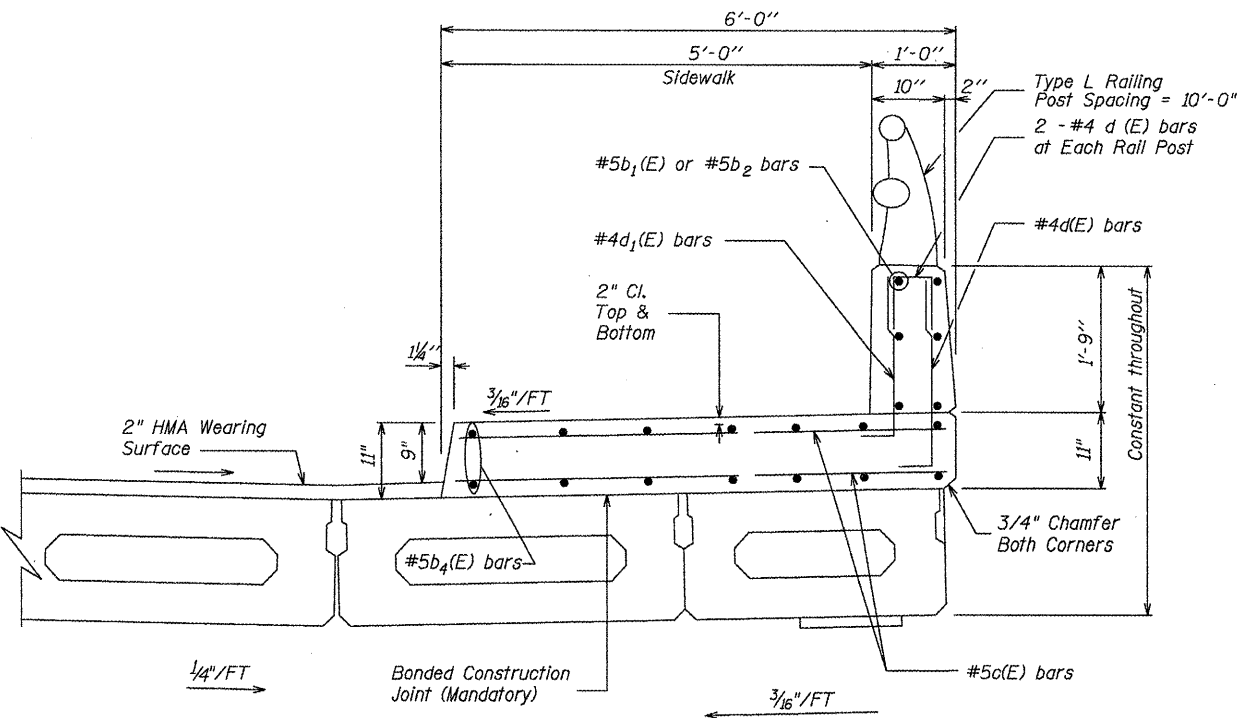
Reinforcement Bars Designated (E) Shall Be Epoxy Coated.



PLAN SHOWING DECK REINFORCEMENT



SECTION EAST PARAPET (LOOKING SOUTH)



SECTION THRU SIDEWALK AND WEST PARAPET (LOOKING SOUTH)

- NOTES:
- Concrete Below Construction Joint (Sidewalk) Shall Be Allowed To Harden Before Placing Concrete Above. (2500 psi MIN.) Cost of WWF and Expansion Anchors to be Included in cost of Concrete Superstructure.
  - Bars indicated thus 20x2-#4 etc., indicates 20 lines of bars with 2 lengths per line.

JOINTING NOTES

- Sidewalk Joint Shall be 1/4" x 3/4" Formed Joint with Concrete Sealer (Full Width Along Joint - Backer Rod Not Required) at Pier.

Min. Bar Laps

- #4 1'-4"
- #5 1'-8"

ILLINOIS DEPARTMENT OF TRANSPORTATION  
**SUPERSTRUCTURE II**  
S. HENDERSON STREET OVER CEDAR CREEK  
SECTION 07-00401-25-BR  
CITY OF GALESBURG, KNOX COUNTY  
STA. 45+55.80 S.N. 048-0024

REVISIONS	NAME	DATE

SCALE: VERT. NONE, HORIZ. NONE.  
DATE: 08/28/2009  
DRAWN BY: BCB  
DESIGNED BY: PETERSON  
CHECKED BY: PETERSON  
**Bruner, Cooper & Zuck, Inc.**  
Consulting Engineers  
188 East Simons Street  
Galesburg, Illinois 62401  
Phone: (309) 343-8282  
Fax: (309) 343-8232  
E-Mail: bcz@brunercopco.com