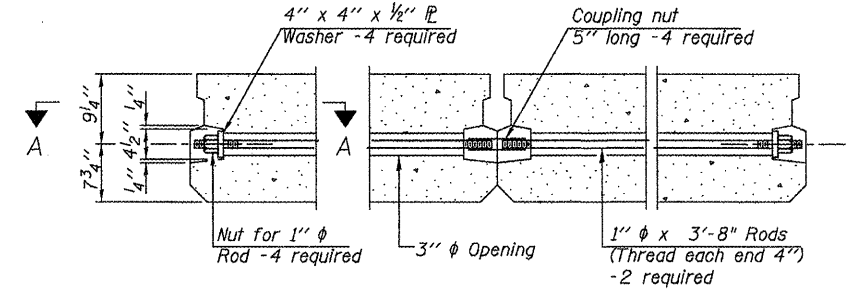
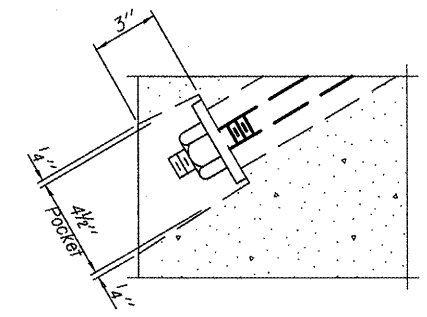
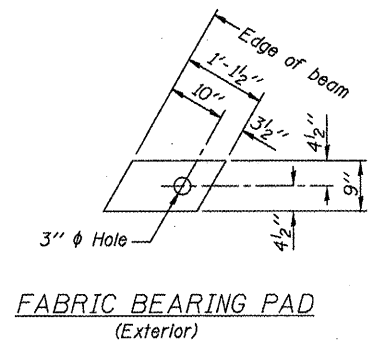
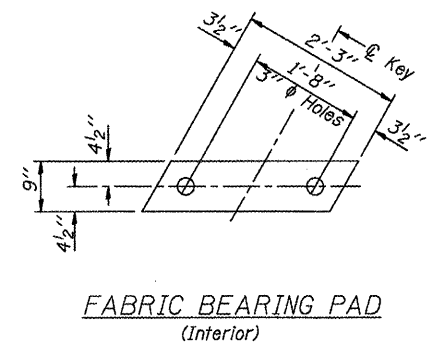
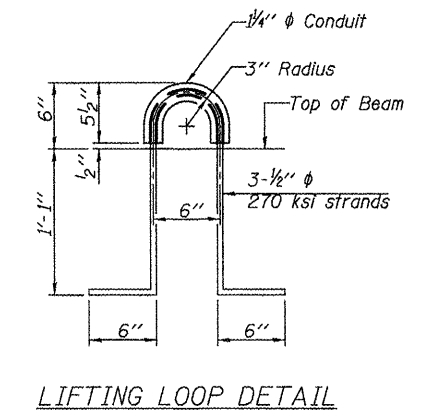
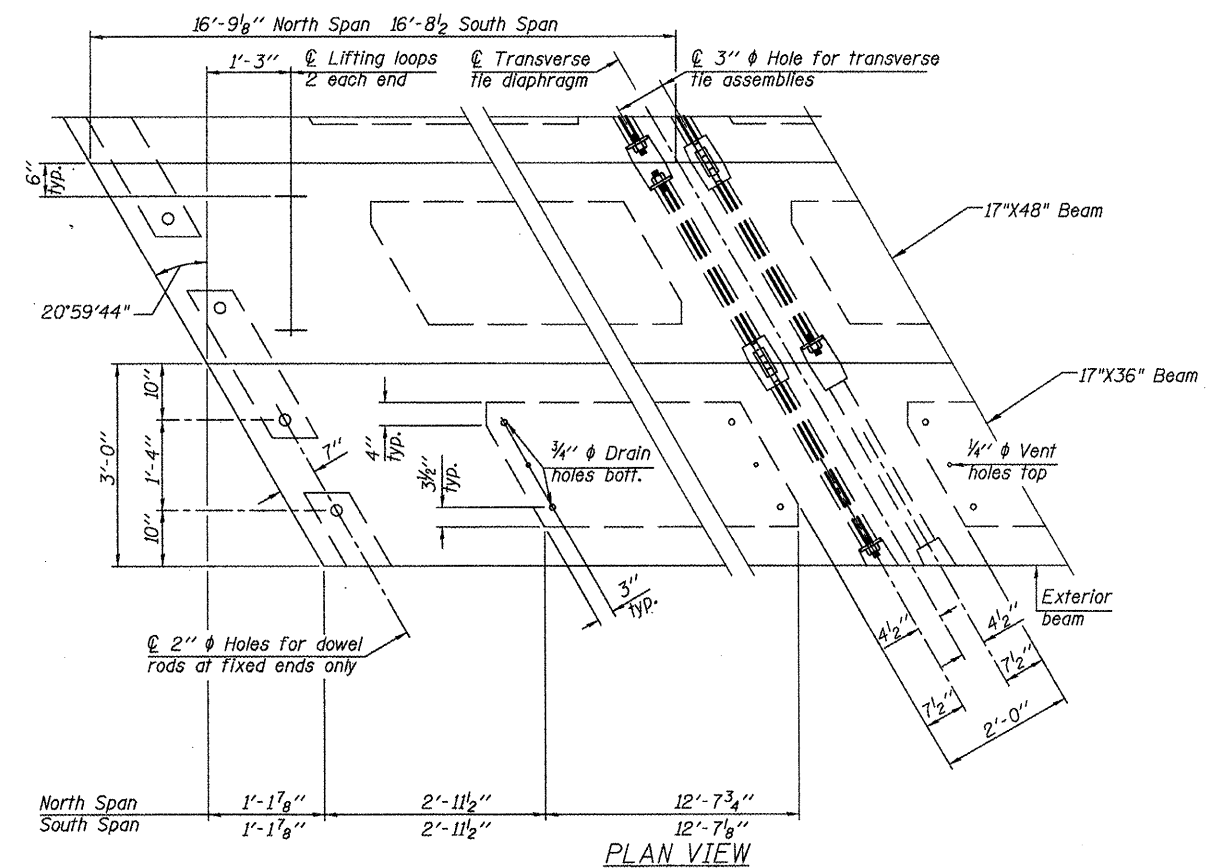
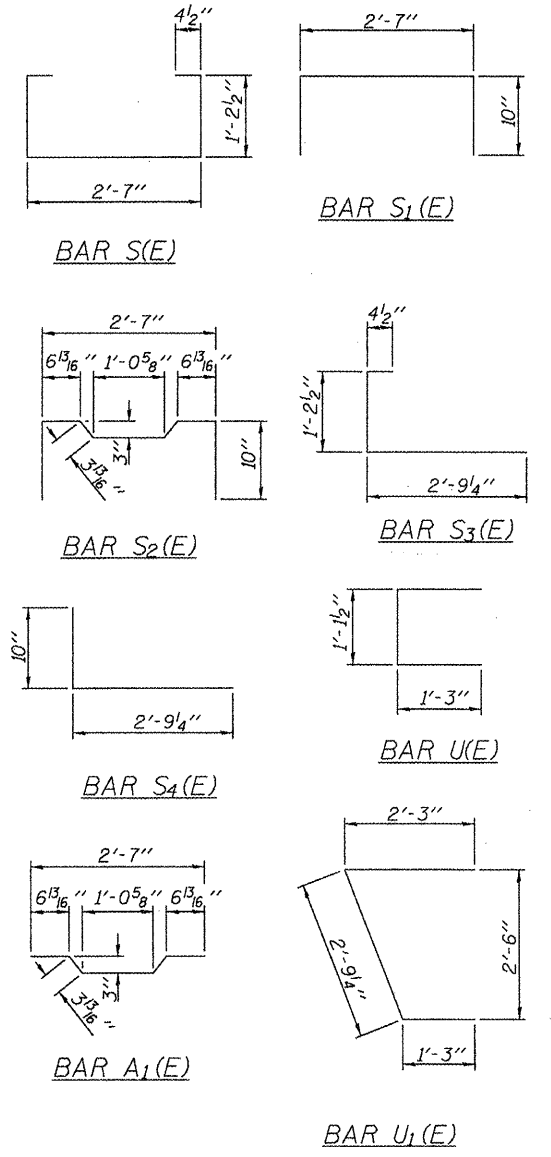


STATE OF ILLINOIS
DEPARTMENT OF TRANSPORTATION

F.A.U. RTE.	SECTION	COUNTY	TOTAL SHEETS	SHEET NO.
6791	07-00401-25-BR	KNOX	18	8
STA. 44+90.00		TO STA. 47+77.20		
FED. ROAD DIST. NO. -		ILLINOIS FED. AID PROJECT		
Bridge Sheet 4 of 14 Sheets			BRM-5025(045) CONTRACT NO. 89557	



FIXED
Notes:
All bearing pads shall be 1" thick.
Omit holes when using expansion bearings.
Expansion bearing pad shall be bonded to the substructure.



NOTES
Prestressing steel shall be uncoated high strength, low relaxation 7-wire strand, Grade 270. The nominal diameter shall be 1/2" and the nominal cross-sectional area shall be 0.153 sq. in.
The 1" rods in the transverse tie assembly shall be tightened to a snug fit and the threads set. Pockets on exterior faces of bridge shall be filled with grout after transverse tie assembly is in place.
Reinforcement bars shall conform to ASTM A 706, Grade 60. (See Special Provisions).
Two 1/4" fabric adjusting shims of the dimensions of the exterior bearing pad shall be provided for each bearing pad location.
A minimum 2 1/2" lifting pin shall be used to engage the lifting loops during handling.
Corrosion Inhibitor, per Article 1020.05(b)(12) and 1021.06 of the Standard Specifications, shall be used in the concrete for precast prestressed concrete deck beams.
Compressive strength of prestressed concrete, f'c, shall be 6000 psi.
Compressive strength of prestressed concrete at release, f'ci, shall be 5000 psi.

Note: Connect beams in pairs with the transverse tie configuration shown.

BILL OF MATERIAL

Precast Prestressed Conc. Deck Bms. (17" depth)	Sq. Ft.	201
---	---------	-----

ILLINOIS DEPARTMENT OF TRANSPORTATION
17"x36" PPC DECK BEAM DETAILS I
S. HENDERSON STREET OVER CEDAR CREEK
SECTION 07-00401-25-BR
CITY OF GALESBURG, KNOX COUNTY
STA. 45+55.80 S.N. 048-0024

REVISIONS	
NAME	DATE

SCALE: VERT. NONE, HORIZ. NONE
DATE: 08/28/2009
DRAWN BY: BCB
DESIGNED BY: PETERSON
CHECKED BY: PETERSON
Bruner, Cooper & Zuck, Inc.
Consulting Engineers Structural Engineers Land Surveyors
Phone: (309) 343-9282 188 East Simons Street Galesburg, Illinois 62402
Fax: (309) 343-9232
E-Mail: bcz@brunercopco.com

PD-1736-RD 11-1-09

JOB NO. 290067 FILE NAME: PD-1736-RD.DGN