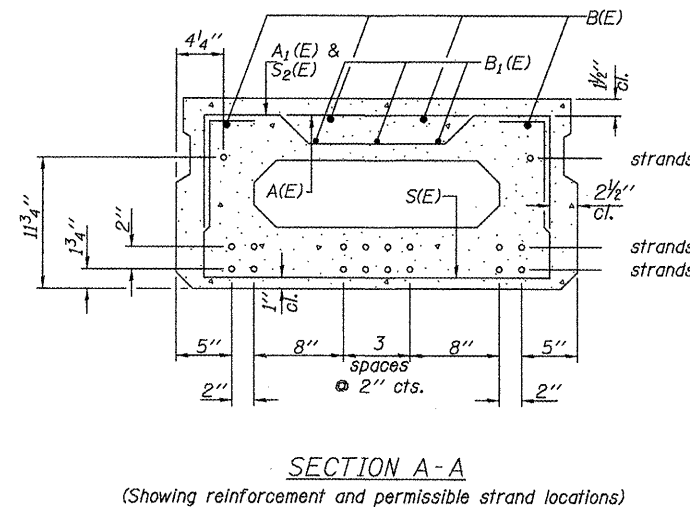
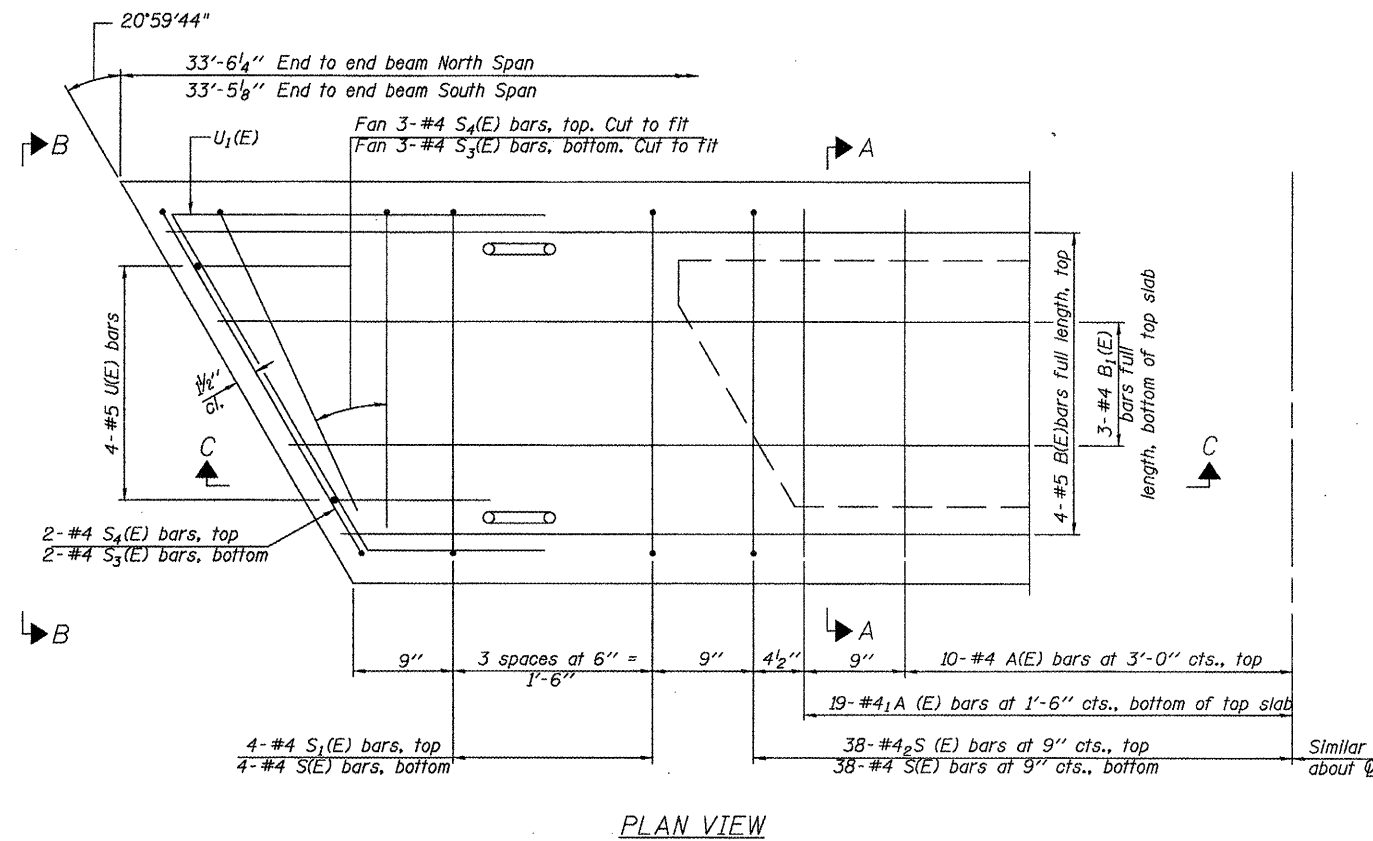
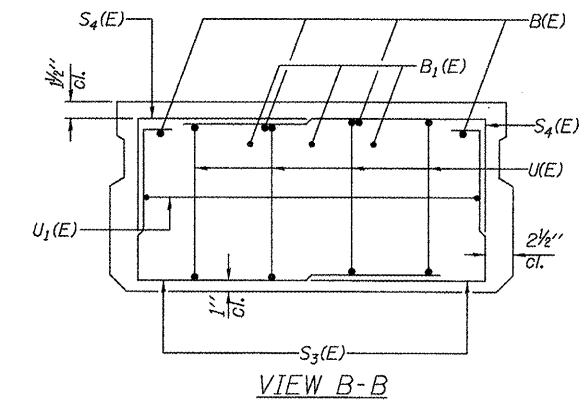
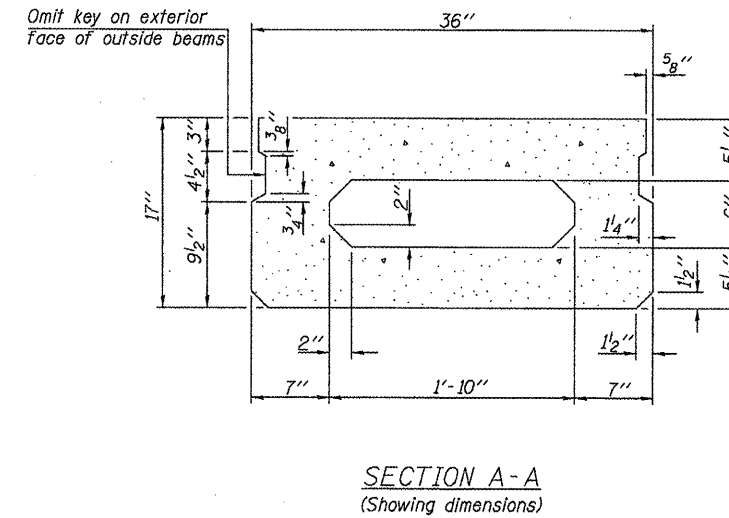
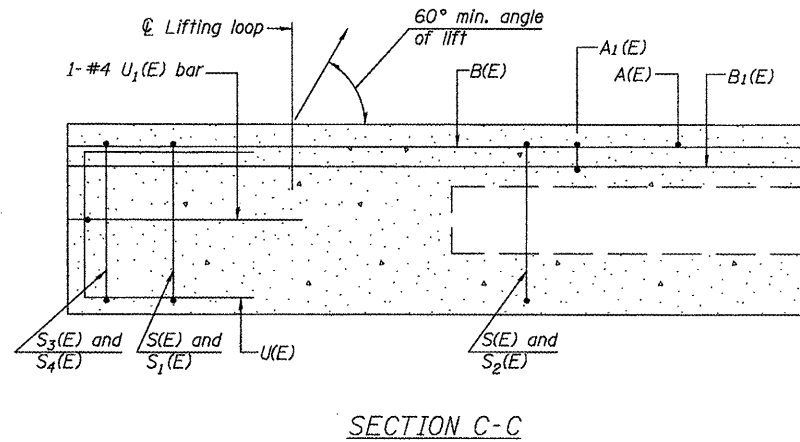


STATE OF ILLINOIS
DEPARTMENT OF TRANSPORTATION

F.A.U. RTE.	SECTION	COUNTY	TOTAL SHEETS	SHEET NO.
6791	07-00401-25-BR	KNOX	18	9
STA. 44+90.00		TO STA. 47+77.20		
FED. ROAD DIST. NO. -		ILLINOIS	FED. AID PROJECT	
BRIDGE SHEET 5 of 14 SHEETS		BRM-5025(045) CONTRACT NO. 89557		



Note: Place the number of strands specified in each row symmetrically about the centerline of beam in the permissible strand locations shown.

BAR LIST
ONE BEAM ONLY
(For information only)

Bar	No.	Size	Length	Shape
A(E)	10	#4	2'-7"	—
A1(E)	19	#4	2'-10"	—
B(E)	4	#5	33'-2"	—
B1(E)	3	#4	33'-2"	—
S(E)	46	#4	5'-9"	□
S1(E)	8	#4	4'-3"	□
S2(E)	38	#4	4'-6"	□
S3(E)	10	#4	4'-4 1/4"	□
S4(E)	10	#4	3'-7 1/4"	□
U(E)	8	#5	3'-8"	□
U1(E)	2	#4	6'-3 1/4"	□

Note: See sheet of for additional details and Bill of Material.

Note: Spacing of S(E) and S2(E) bars may be adjusted up to 4" in the immediate area of the transverse tie diaphragms to miss the block outs for the transverse ties.

MINIMUM BAR LAP
#4 bar = 2'-0"
#5 bar = 2'-6"

PD-1736-R

11-1-09

ILLINOIS DEPARTMENT OF TRANSPORTATION
17"x36" PPC DECK BEAM DETAILS II
S. HENDERSON STREET OVER CEDAR CREEK
SECTION 07-00401-25-BR
CITY OF GALESBURG, KNOX COUNTY
STA. 45+55.80 S.N. 048-0024

REVISIONS	
NAME	DATE

SCALE: VERT. NONE, HORIZ. NONE.
DATE: 08/28/2009
DRAWN BY: BCB
DESIGNED BY: PETERSON
CHECKED BY: PETERSON
Bruner, Cooper & Zuck, Inc.
Consulting Engineers Structural Engineers Land Surveyors
Phone: (309) 343-2282 188 East Simons Street Galesburg, Illinois 62401
Fax: (309) 343-2332 157 E. SE CORP. 184-002633
E-Mail: bcz@bczengr.com
JOB NO. 290067 FILE NAME: PD-1736-R.DGN

HENDERSON STREET (CITY OF GALESBURG) KNOX COUNTY