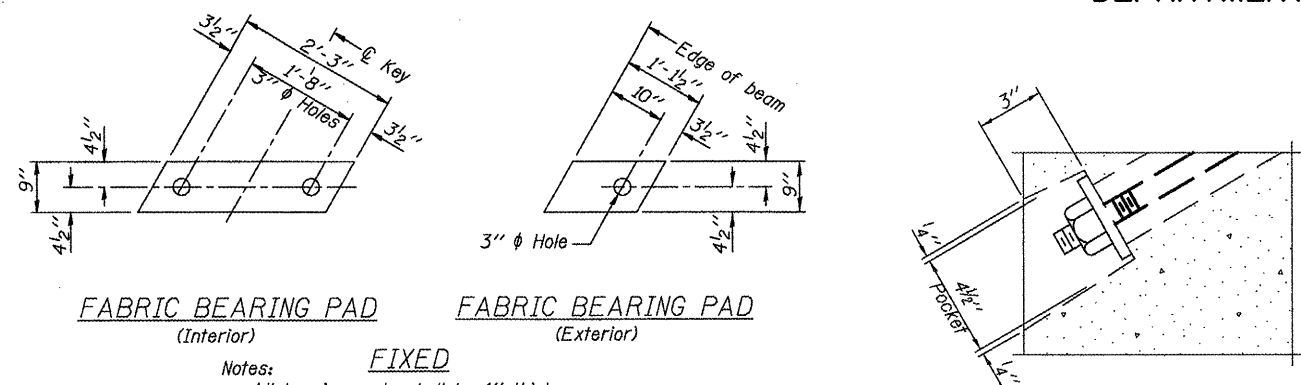


STATE OF ILLINOIS  
DEPARTMENT OF TRANSPORTATION

F.A.U. RTE.	SECTION	COUNTY	TOTAL SHEETS	SHEET NO.
6791	07-00401-25-BR	KNOX	18	10
STA. 44+90.00		TO STA. 47+77.20		
FED. ROAD DIST. NO. -		ILLINOIS	FED. AID PROJECT	
Bridge Sheet 6 of 14 Sheets		BRM-5025(045) CONTRACT NO. 89557		

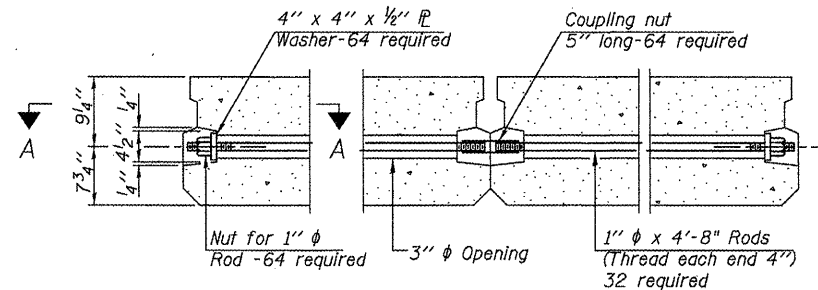


FABRIC BEARING PAD  
(Interior)

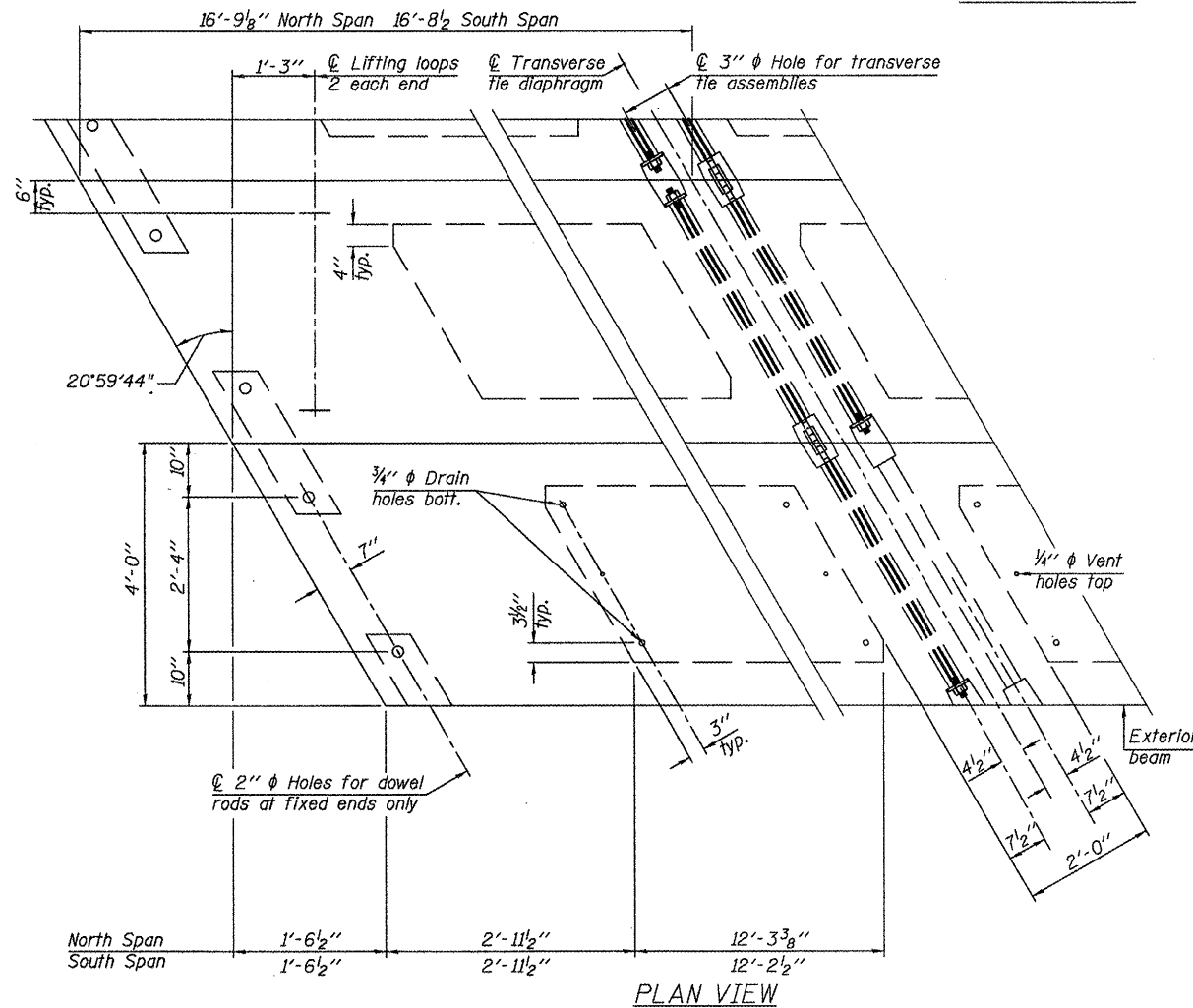
FABRIC BEARING PAD  
(Exterior)

Notes:  
**FIXED**  
All bearing pads shall be 1" thick.  
Omit holes when using expansion bearings.  
Expansion bearing pad shall be bonded to the substructure.

SECTION A-A



TYPICAL TRANSVERSE TIE ASSEMBLY

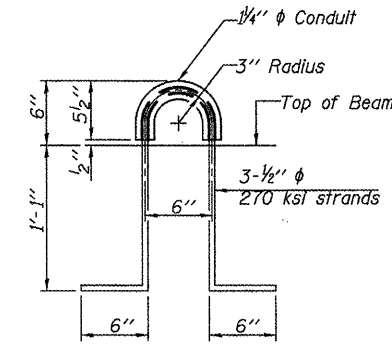
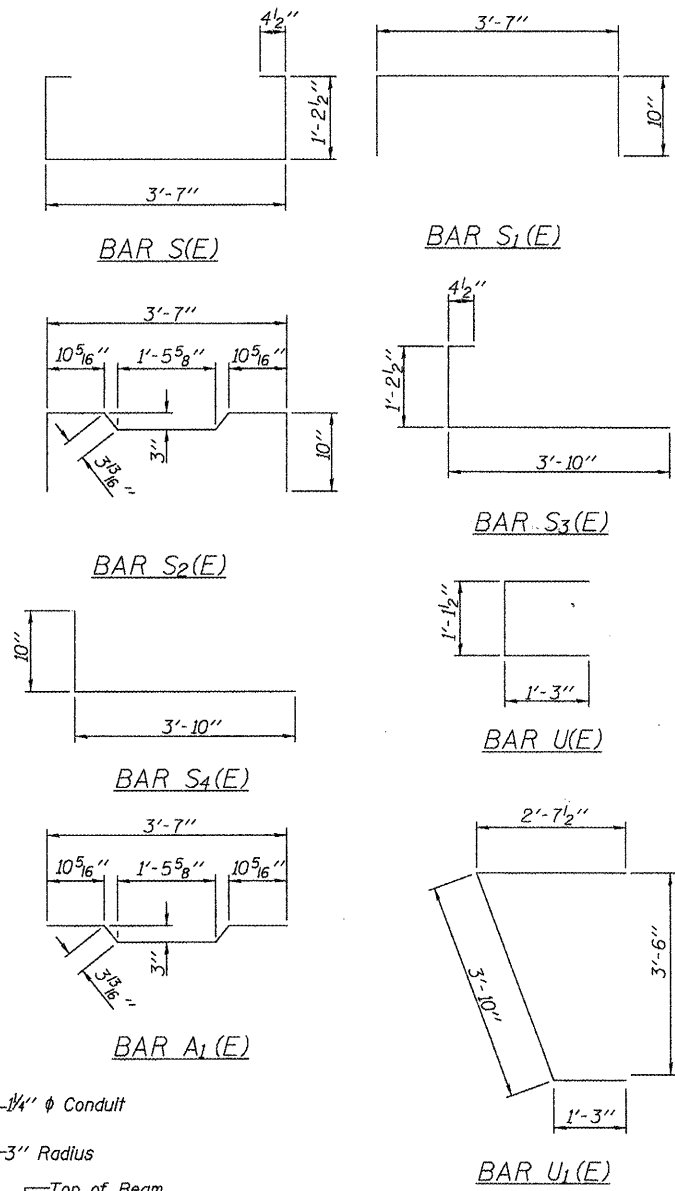


PLAN VIEW

Note: Connect beams in pairs with the transverse tie configuration shown.

NOTES

Prestressing steel shall be uncoated high strength, low relaxation 7-wire strand, Grade 270. The nominal diameter shall be 1/2" and the nominal cross-sectional area shall be 0.153 sq. in. The 1" rods in the transverse tie assembly shall be tightened to a snug fit and the threads set. Pockets on exterior faces of bridge shall be filled with grout after transverse tie assembly is in place.  
Reinforcement bars shall conform to ASTM A 706, Grade 60. (See Special Provisions).  
Two 1/4" fabric adjusting shims of the dimensions of the exterior bearing pad shall be provided for each bearing pad location.  
A minimum 2 1/2" diameter lifting pin shall be used to engage the lifting loops during handling.  
Corrosion Inhibitor, per Article 1020.05(b)(12) and 1021.06 of the Standard Specifications, shall be used in the concrete for precast prestressed concrete deck beams.  
Compressive strength of prestressed concrete, f'c, shall be 6000 psi.  
Compressive strength of prestressed concrete at release, f'cl, shall be 5000 psi.



LIFTING LOOP DETAIL

BILL OF MATERIAL

Precast Prestressed Conc. Deck Bms. (17" depth)	Sq. Ft.	4285
---	---------	------

ILLINOIS DEPARTMENT OF TRANSPORTATION  
17"x48" PPC DECK BEAM DETAILS I  
S. HENDERSON STREET OVER CEDAR CREEK  
SECTION 07-00401-25-BR  
CITY OF GALESBURG, KNOX COUNTY  
STA. 45+55.80 S.N. 048-0024

REVISIONS	
NAME	DATE

SCALE: VERT. NONE, HORIZ. NONE.  
DATE: 08/28/2009  
DRAWN BY: BCB  
DESIGNED BY: PETERSON  
CHECKED BY: PETERSON  
Bruner, Cooper & Zuck, Inc.  
Consulting Engineers Structural Engineers Land Surveyors  
Phone: (309) 343-9282 188 East Simons Street Galesburg, Illinois 61601  
Fax: (309) 343-9232 E-Mail: bcz@bczengr.com  
JOB NO. 290067 FILE NAME: PD-1748-RD.DGN