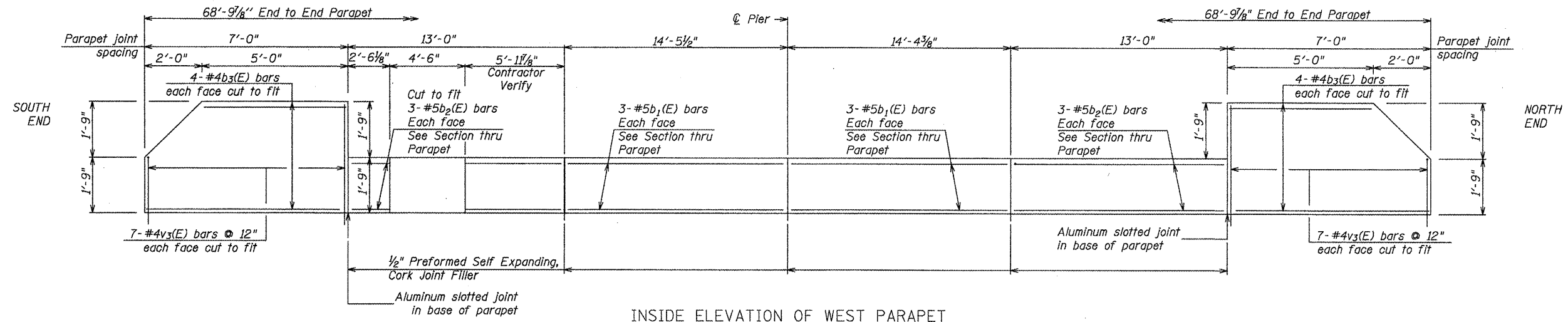
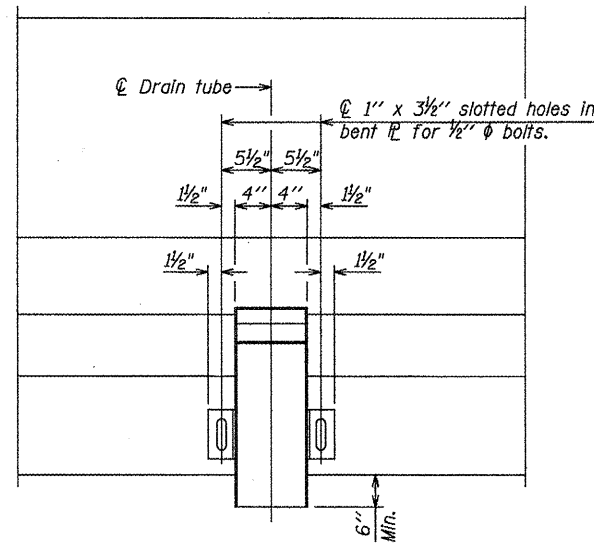


STATE OF ILLINOIS
DEPARTMENT OF TRANSPORTATION

F.A.U. RTE.	SECTION	COUNTY	TOTAL SHEETS	SHEET NO.
6791	07-00401-25-BR	KNOX	18	13
STA. 44+90.00		TO STA. 47+77.20		
FED. ROAD DIST. NO. -		ILLINOIS FED. AID PROJECT		
Bridge Sheet 9 of 14 Sheets				BRM-5025(045)
CONTRACT NO. 89557				

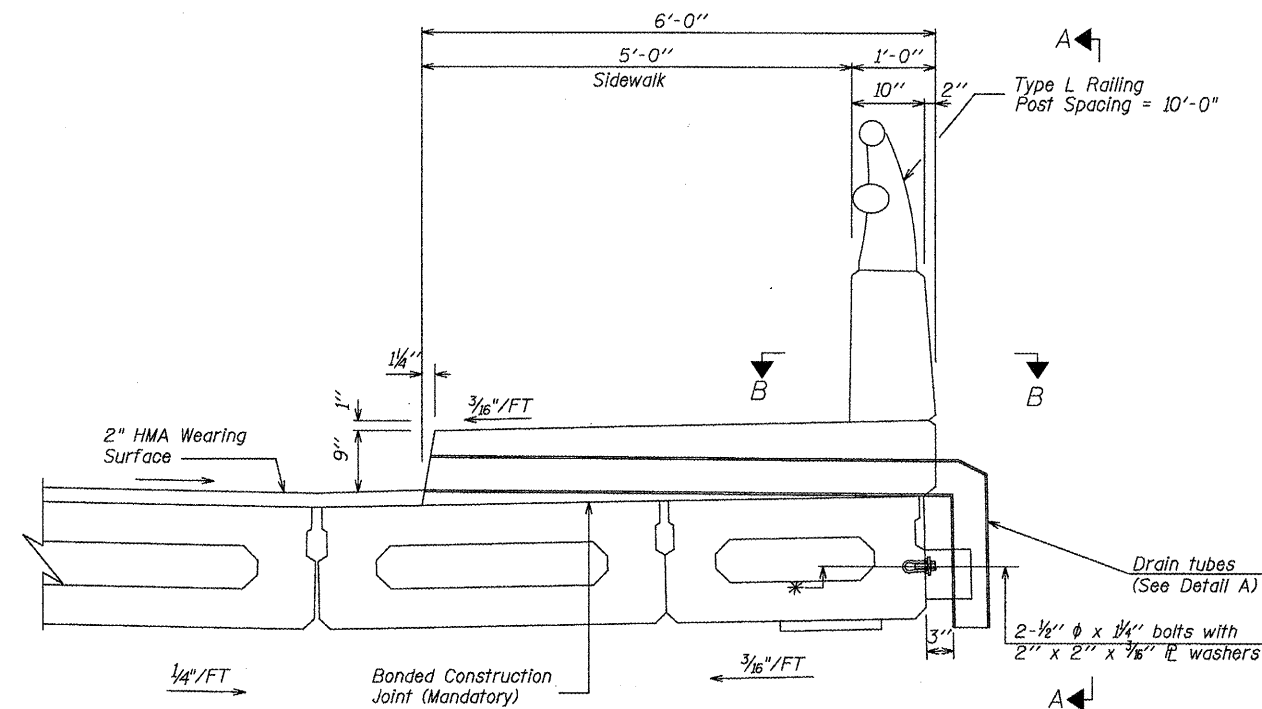


INSIDE ELEVATION OF WEST PARAPET
(LOOKING WEST)



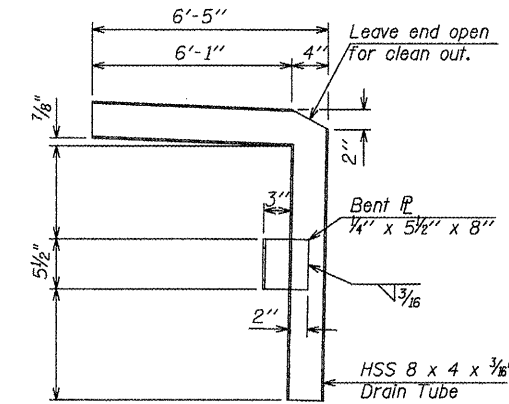
VIEW A-A

Note:
All drain tubes and accessories shall be galvanized according to AASHTO M111 or M232, (as applicable).
The cost of the drain tube assemblies and everything necessary for their installation is included with Concrete Superstructure.

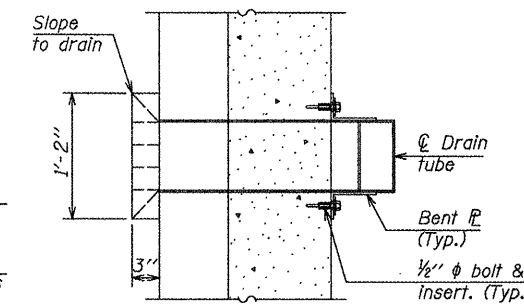


SECTION THRU SIDEWALK AND WEST PARAPET
(LOOKING SOUTH)

* Loop Ferrule Inserts for 1 1/2" Bolts.
Place at center of Beam Depth.



DETAIL A



SECTION B-B

ILLINOIS DEPARTMENT OF TRANSPORTATION
WEST PARAPET DETAILS
S. HENDERSON STREET OVER CEDAR CREEK
SECTION 07-00401-25-BR
CITY OF GALESBURG, KNOX COUNTY
STA. 45+55.80 S.N. 048-0024

REVISIONS	
NAME	DATE

SCALE: VERT. NONE.
HORIZ. NONE.
DATE: 08/28/2009
DRAWN BY: BCB
DESIGNED BY: PETERSON
CHECKED BY: PETERSON
Bruner, Cooper & Zuck, Inc.
Consulting Engineers Structural Engineers Land Surveyors
188 East Simmons Street
Galesburg, Illinois 61401
Phone: (309) 343-9282 Fax: (309) 343-9282
E-Mail: bcz@bczinc.com
JOB NO. 290067 FILE NAME: WESTPARAPETDETAILS.DGN