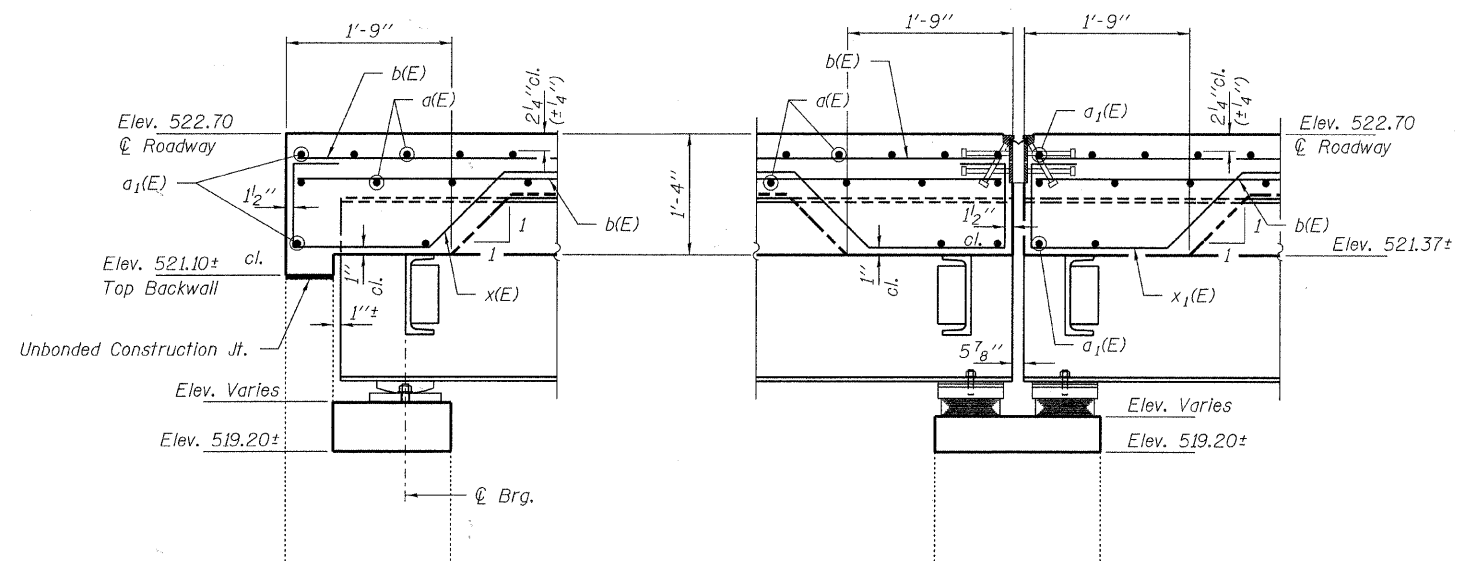
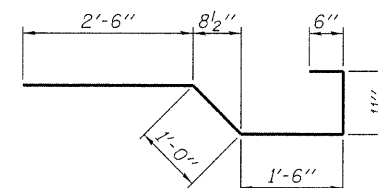


ELEVATION
Showing Rail Post Spaces
See sheet 20 for Railing Details.



SECTION A-A

SECTION B-B



BAR x(E)

DESIGNED - A.S.L.
CHECKED - S.W.M.
DRAWN - D.A.B.
CHECKED - S.W.M.

SUPERSTRUCTURE DETAILS
STRUCTURE NO. 005-3006

 HAMPTON, LENZINI & RENWICK, INC. CIVIL & STRUCTURAL ENGINEERS LAND SURVEYORS 3085 STEVENSON DRIVE, SUITE 201 SPRINGFIELD, ILLINOIS 62703 (217) 546-3400	C.H.	SECTION	COUNTY	TOTAL SHEETS	SHEET NO.
	3A	05-00065-00-BR	BROWN	24	16
PROJECT NUMBER: 08.0204.130			DATE: 04/09/10		
FED. ROAD DIST. NO.		ILLINOIS FED. AID PROJECT ARA 1583(103)			
CONTRACT NO. 93509					