


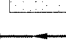
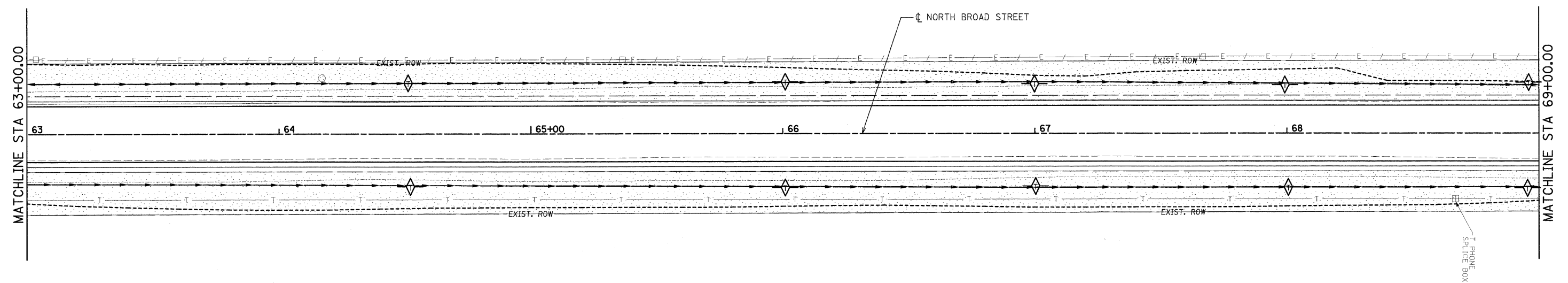
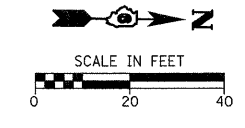


LEGEND

-  TEMPORARY DITCH CHECK
-  INLET AND PIPE PROTECTION
-  SEEDING AND MULCH
-  PROPOSED DITCH ϕ



FILE NAME = H:\6373_Carlinville_Broad.St\EC_6373_2.dgn	USER NAME = .USERDESCR.	DESIGNED - DLD	REVISED -	STATE OF ILLINOIS DEPARTMENT OF TRANSPORTATION	STORM WATER POLLUTION PREVENTION PLAN	F.A.J. RTE. 8277	SECTION 09-00036-00-RS	COUNTY MACOUPIN	TOTAL SHEETS 38	SHEET NO. 21		
PLOT SCALE = 23,0000' / IN.		CHECKED -	REVISED -			SCALE: SHEET NO. OF SHEETS STA. TO STA.		CONTRACT NO. 93528				
PLOT DATE = 2/11/2010		DATE -	REVISED -			ILLINOIS FED. AID PROJECT						