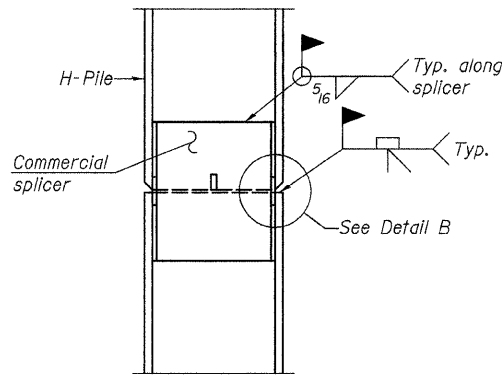


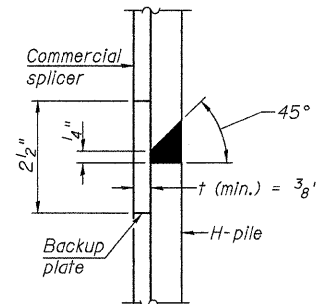
**STEEL PILE TABLE**

Designation	Depth d	Flange width bf	Web and Flange thickness t	Encasement diameter
HP 14x117	14 1/4"	14 7/8"	13/16"	30"
x102	14"	14 3/4"	1/6"	30"
x89	13 7/8"	14 3/4"	5/8"	30"
x73	13 5/8"	14 5/8"	1/2"	30"
HP 12x84	12 1/4"	12 1/4"	1/6"	24"
x74	12 1/8"	12 1/4"	5/8"	24"
x63	12"	12 1/8"	1/2"	24"
x53	11 3/4"	12"	7/16"	24"
HP 10x57	10"	10 1/4"	9/16"	24"
x42	9 3/4"	10 1/8"	7/16"	24"
HP 8x36	8"	8 1/8"	7/16"	18"

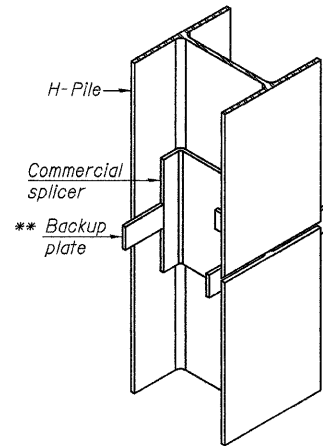
Note:  
The steel H-piles shall be according to AASHTO M270 Grade 50.



**ELEVATION**

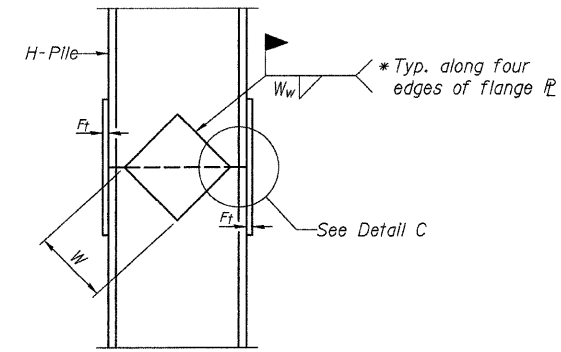


**DETAIL "B"**

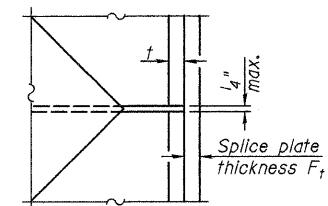


**ISOMETRIC VIEW**

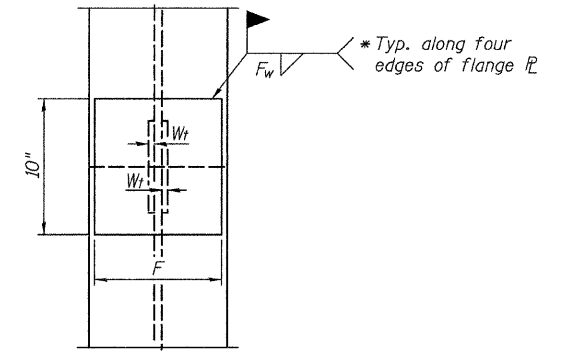
**WELDED COMMERCIAL SPLICE**



**ELEVATION**

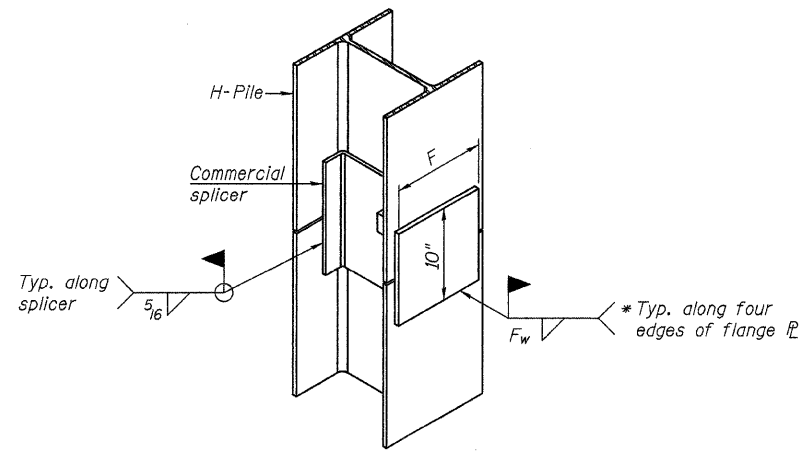


**DETAIL C**



**END VIEW**

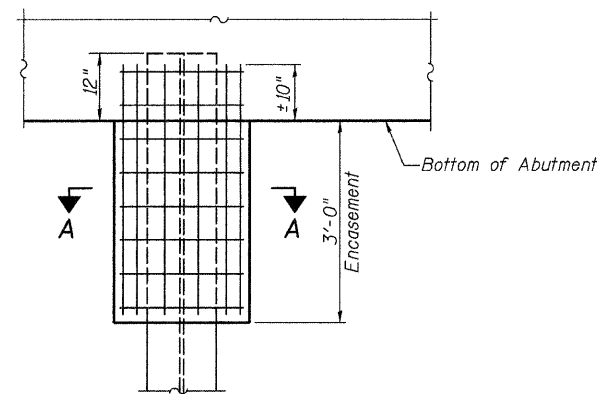
Designation	F	Ft	Fw	W	Wt	Ww
HP 14x117	12 1/2"	1"	7/8"	7 3/4"	5/8"	1/2"
x102	12 1/2"	7/8"	3/4"	7 3/4"	5/8"	1/2"
x89	12 1/2"	3/4"	1/6"	7 3/4"	5/8"	1/2"
x73	12 1/2"	5/8"	9/16"	7 3/4"	5/8"	1/2"
HP 12x84	10"	7/8"	1/6"	6 1/2"	5/8"	1/2"
x74	10"	7/8"	1/6"	6 1/2"	5/8"	1/2"
x63	10"	5/8"	1/2"	6 1/2"	1/2"	3/8"
x53	10"	5/8"	1/2"	6 1/2"	1/2"	3/8"
HP 10x57	8"	3/4"	9/16"	5 1/4"	1/2"	3/8"
x42	8"	5/8"	9/16"	5 1/4"	1/2"	3/8"
HP 8x36	7"	5/8"	7/16"	4 1/4"	1/2"	3/8"



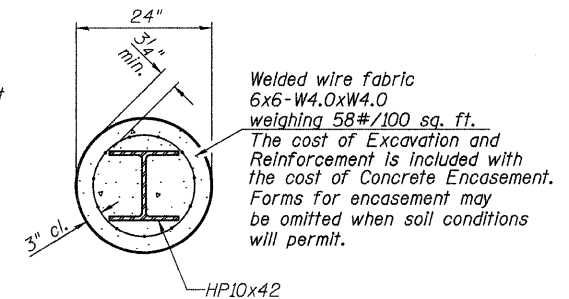
**ISOMETRIC VIEW**

**WELDED COMMERCIAL SPLICE ALTERNATE**

- \* Interrupt welds 1/4" from end of web and/or each flange.
- \*\* Remove portions of backup plates that extend outside the flanges.



**ABUTMENT ELEVATION**



**SECTION A-A**

**PILE ENCASEMENT**

Welded wire fabric  
6x6-W4.0xW4.0  
weighing 58#/100 sq. ft.  
The cost of Excavation and  
Reinforcement is included with  
the cost of Concrete Encasement.  
Forms for encasement may  
be omitted when soil conditions  
will permit.

**PILE DETAILS**

**PIKE COUNTY**

**SECTION 07-05107-00-BR**

**T.R. 148 OVER KISER CREEK TRIBUTARY**

SHEET NO. 7 7 SHEETS	ROUTE NO.	SECTION	COUNTY	TOTAL SHEETS	SHEET NO.
	TR 148	07-05107-00-BR	PIKE	18	13
	S.N. 075-3315		CONTRACT NO. 93532		
FED. ROAD DIST. NO. 7 ILLINOIS		FED. AID PROJECT BROS-0149(040)			