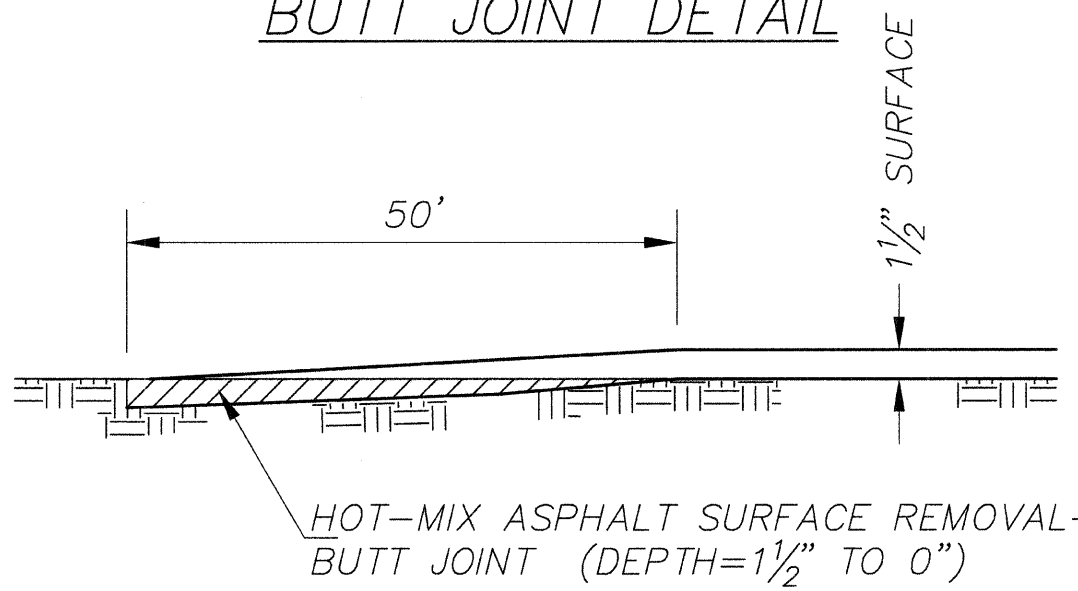


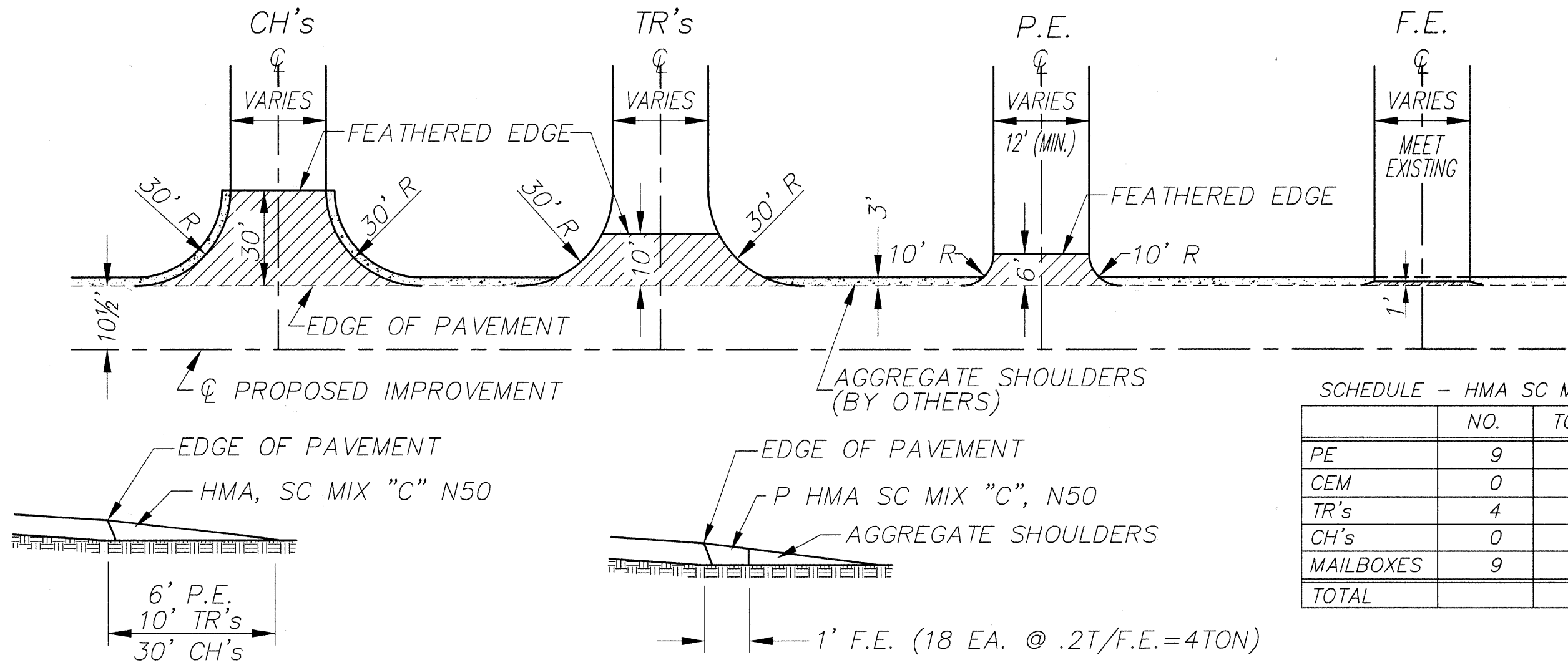
COUNTY	ROUTE	SECTION	TOTAL SHEETS	SHEET NO.
ADAMS	FAS 2592	10-00207-01-RS	12	12
BUTT JOINT DETAIL				
SIDE ROAD & ENTRANCE DETAILS				
PROJECT NO. RS-2592(103)				

BUTT JOINT DETAIL



INTERSECTION DETAILS

ENTRANCE DETAILS



SCHEDULE - HMA SC MIX "C" N50

	NO.	TONS/	TONS
PE	9	2	18
CEM	0	2	0
TR's	4	15	60
CH's	0	18	0
MAILBOXES	9	3	27
TOTAL			105