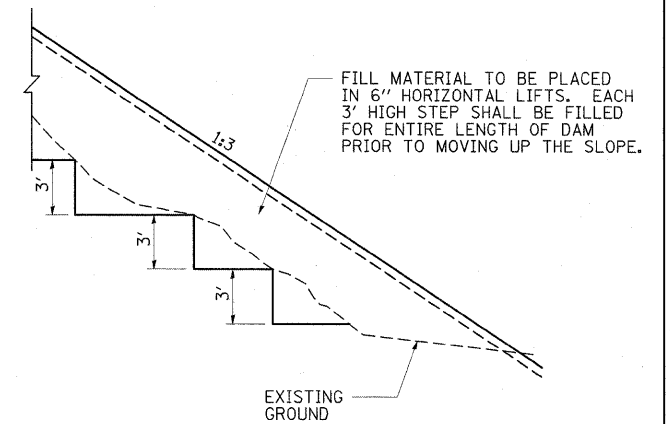
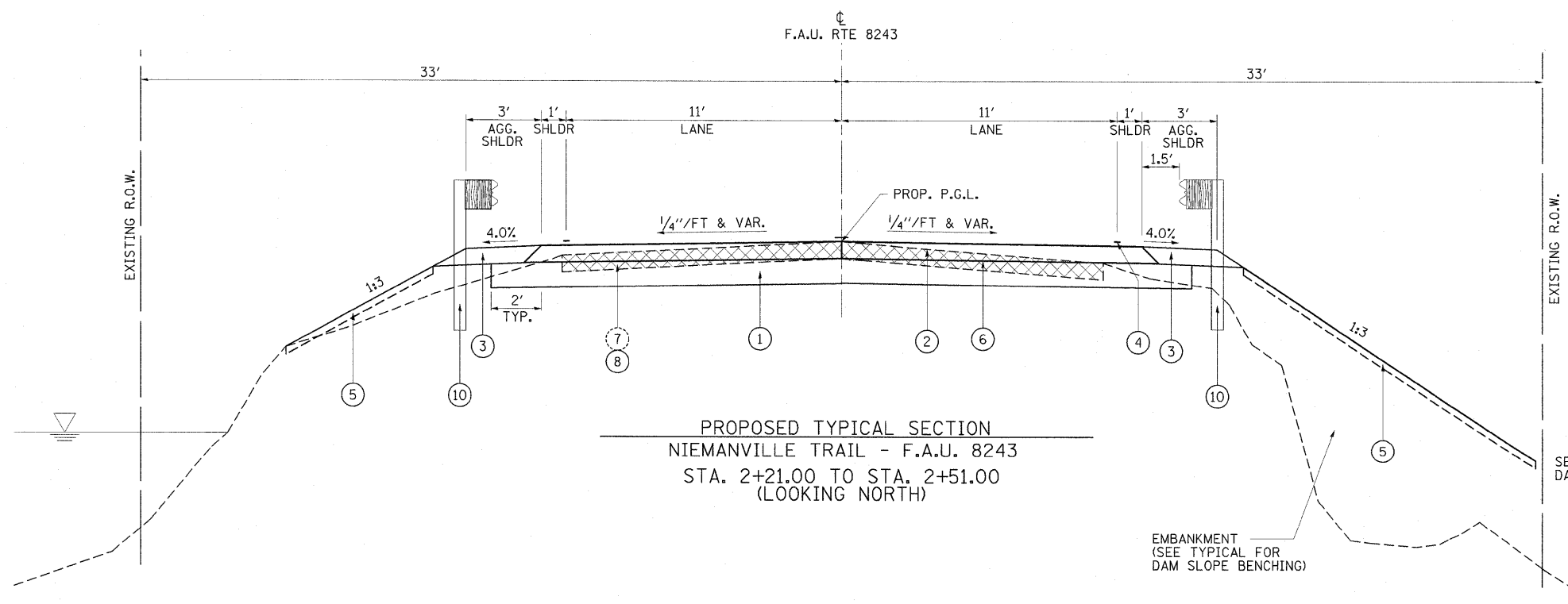


PROPOSED TYPICAL SECTION
NIEMANVILLE TRAIL - F.A.U. 8243
STA. 1+25.67 TO STA. 1+75.67
(LOOKING NORTH)



TYPICAL DAM SLOPE BENCHING
STA. 1+25.67 TO STA. 4+00.00



PROPOSED TYPICAL SECTION
NIEMANVILLE TRAIL - F.A.U. 8243
STA. 2+21.00 TO STA. 2+51.00
(LOOKING NORTH)

SEE TYPICAL FOR
DAM SLOPE BENCHING

LEGEND

- ① PROPOSED AGGREGATE BASE COURSE, TYPE A, 8"
- ② PROPOSED HOT MIX ASPHALT PAVEMENT, 6" (SEE SHEET 2)
- ③ PROPOSED AGGREGATE SHOULDERS, TYPE B, 6"
- ④ PROPOSED PAVEMENT MARKING
- ⑤ PROPOSED TOPSOIL PLACEMENT, 4" AND SEEDING CLASS 3A WITH MULCH METHOD 2
- ⑥ PROPOSED BITUMINOUS PRIME COAT
- ⑦ EXISTING OIL & CHIP SURFACE PAVEMENT
- ⑧ PAVEMENT REMOVAL IN ACCORDANCE WITH EARTH EXCAVATION SPECIAL PROVISION
- ⑨ PROPOSED STEEL PLATE BEAM GUARDRAIL, TYPE B
- ⑩ REMOVE AND REINSTALL EXISTING STEEL PLATE BEAM GUARDRAIL

FILE NAME = ...draw\Sheets\sh-typical.dgn	USER NAME = Kristin Timmons	DESIGNED - KLT/JJF	REVISED -
		DRAWN - GLD	REVISED -
		CHECKED - KLT/JJF	REVISED -
		DATE - 3/2/2010	REVISED -

NIEMANVILLE TRAIL
MONTGOMERY COUNTY, ILLINOIS

TYPICAL SECTIONS
S.N. 068-3232
F.A.U. ROUTE 8243

SCALE: N/A SHEET NO. 4 OF 32 SHEETS STA. N/A TO STA. N/A

F.A.U. RTE.	SECTION	COUNTY	TOTAL SHEETS	SHEET NO.
8243	09-00134-00-DR	MONTGOMERY	32	4
CONTRACT NO. 93537				
FED. ROAD DIST. NO. 6 ILLINOIS FED. AID PROJECT				